

---

# PRESTIGE Combustion Chamber Insulation Replacement Kit



---

**Kit Part Number:** PSRKIT09  
PSRKIT30  
PSRKIT37

**Recommended tools:**

- A. Pipe wrenches
- B. Phillips and flat head screwdrivers
- C. 10 mm socket and/or 10 mm wrench
- D. Adjustable wrench
- E. Needle nose pliers
- F. T20 Torx long screwdriver
- G. T25 Torx wrench
- H. Phillips head long screwdriver



Indicates a potentially hazardous situation which, if ignored, can result in serious injury or substantial property damage.

**NOTICE**

Indicates special instructions on installation, operation or maintenance, which are important to equipment but not related to personal injury hazards.



For your safety, turn off electrical power supply at service panel and allow unit to cool before proceeding to avoid possible electrical shock and scald hazard. Failure to do so can cause severe personal injury or death.



Failure to follow instructions below can result in severe personal injury or damage if ignored.

- Instructions are for a qualified installer/service technician only.
- Read all instructions before proceeding.
- Follow instructions in proper order.



Use a two wrench method when tightening piping onto the boiler piping connections. Use one wrench to prevent the boiler piping from turning / twisting. Failure to support the boiler piping and connections in this manner could cause damage to the boiler and its components.

**NOTICE**

Part kit PSRKIT09 is used on the PRESTIGE 60, 110 and EXCELLENCE.

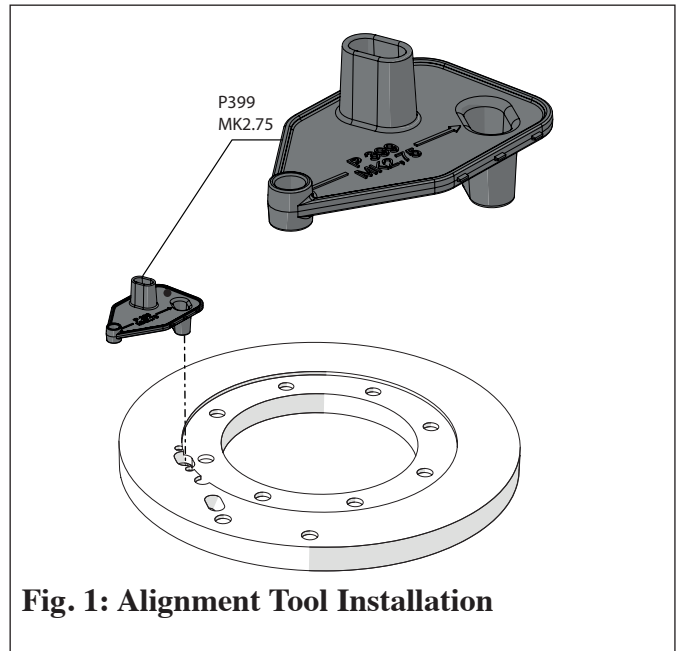
Part Kit PSRKIT30 is used on the PRESTIGE 175, 250.

Part Kit PSRKIT37 is used on the PRESTIGE 399.

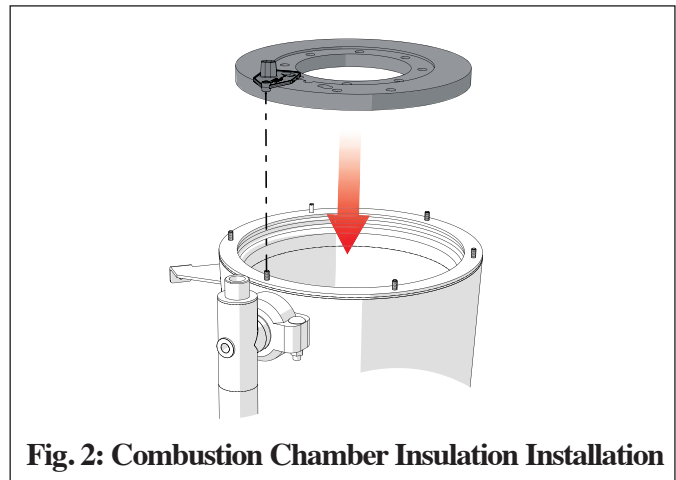
# PRESTIGE Combustion Chamber Insulation Replacement Kit

## Instructions:

1. Shut the unit down and allow it to cool thoroughly before disassembly.
2. Close the external manual gas valve on the gas supply line and disconnect the gas piping and gas valve wire harness.
3. Remove the top jacket access panel.
4. Disconnect the wiring harness connectors from the blower and remove the blower retaining screws. Remove the blower with venturi and gas valve from the unit.
5. Remove the mounting nuts securing the burner mounting plate to the heat exchanger and set aside.
6. Remove the burner mounting plate assembly from the heat exchanger.
7. Remove the combustion chamber insulation from the heat exchanger. See WARNING on page 4.
8. Use a vacuum cleaner, compressed air or water to remove any accumulation from the heat exchanger flue ways. Do not use any solvent.
9. Use the included alignment tool to install the new combustion chamber insulation in the heat exchanger.
  - Insert the alignment tool into the igniter opening (Prestige 60, 110, 399, Excellence) or sight glass opening (Prestige 175, 250) as shown in Fig. 1.
  - Install the new combustion chamber insulation in the heat exchanger so that the alignment tool goes over the correct heat exchanger stud as shown in Fig. 2.
  - Remove the alignment tool.
10. Re-assemble the burner mounting plate assembly onto the heat exchanger. Ensure the burner plate gasket and combustion chamber insulation is in place and not damaged, replace gasket if necessary.



**Fig. 1: Alignment Tool Installation**



**Fig. 2: Combustion Chamber Insulation Installation**

11. Check combustion chamber insulation alignment with the burner mounting plate. The combustion chamber insulation igniter cutout should align with the opening in the burner mounting plate. If not properly aligned, remove the burner mounting plate and reposition combustion chamber insulation.

## **NOTICE**

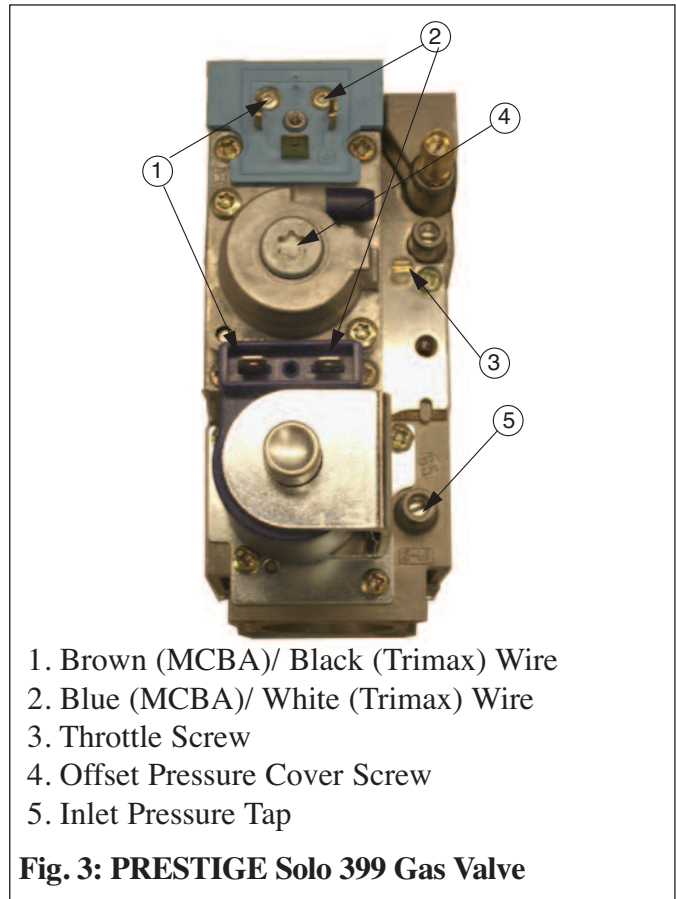
**Misalignment of combustion chamber insulation can cause unreliable boiler operation.**

---

## PRESTIGE Combustion Chamber Insulation Replacement Kit

---

12. Hand tighten the burner mounting plate nuts to hold the burner plate in place. Once all mounting nuts are in place, use a wrench to tighten using an alternating pattern until the gasket is slightly compressed. See Table 1, page 4 for torque specifications.
13. Re-assemble the blower onto the burner mounting plate and reconnect the wiring harness connectors. Tighten screws evenly. See Table 1, page 4 for torque specifications.
14. For PRESTIGE Solo 399 only, remove gasket from the end of the gas pipe where it connects to the gas valve and install new gas pipe gasket provided in the kit.
15. Re-assemble the gas supply connection and wire harness to the gas valve. See Fig. 3 for wire colors on PRESTIGE Solo 399. Tighten the union using two wrenches. See Table 1, page 4 for torque specifications. Open the external manual gas valve. Check gas piping for any leaks and repair if necessary.
16. Reinstall top jacket access panel.



# PRESTIGE Combustion Chamber Insulation Replacement Kit

## Handling Previously Fired Combustion Chamber Insulation



**The combustion chamber insulation contains ceramic fibers, which are classified as a possible human carcinogen. When exposed to extremely high temperatures, the ceramic fibers, which contain crystalline silica, can be converted into cristobalite.**

### **Avoid Breathing and Contact with Skin and Eyes**

When removing or repairing the combustion chamber insulation follow these precaution measures:

1. Use a NIOSH approved respirator which meets OSHA requirements for cristobalite dust, similar to N95. Contact NIOSH at 1-800-356-4676 or on the web at [www.cdc.gov/niosh](http://www.cdc.gov/niosh) for latest recommendations.

2. Wear long sleeved, loose fitting clothing, gloves and eyes protection.
3. Assure adequate ventilation.
4. Wash with soap and water after contact.
5. Wash potentially contaminated clothes separately from other laundry and rinse washing machine thoroughly.
6. Discard used insulation in an air tight plastic bag.

### **NIOSH Stated First Aid:**

Eye/Skin: Immediately irrigate  
Breathing: Clean fresh air

**Table 1: Torque Specifications**

| Assembly Screws      | Torque Specifications |                      |
|----------------------|-----------------------|----------------------|
|                      | Min.<br>Inch- Pounds  | Max.<br>Inch- Pounds |
| Sight Glass          | 11                    | 13                   |
| Burner Head          | 27                    | 31                   |
| Igniter              | 27                    | 31                   |
| Gas Valve Couplings  | 27                    | 31                   |
| Blower - Outlet      | 27                    | 31                   |
| Venturi to Gas Valve | 31                    | 35                   |
| Venturi to Blower    | 31                    | 35                   |
| Burner Plate         | 44                    | 59                   |