

# **Stratton mk3**

## **80-150 kW Frame and Header Kits Manual**

### **IMPORTANT NOTE**

**THESE INSTRUCTIONS MUST BE READ  
AND UNDERSTOOD BEFORE INSTALLING,  
COMMISSIONING, OPERATING OR  
SERVICING EQUIPMENT**



This kit is suitable for the following boilers:

**Stratton mk3 80,100,120 & 150 using Natural Gas and 80,100 & 120 using Propane**

## CONTENTS

1 Introduction.....	3
2 General Description of Systems .....	3
3 Multiple Boiler System Components .....	6
4 Frame Kit Installation Procedure .....	9
5 Header Kit Assembly.....	10
6 Installation Drawings for Multiple Boiler Systems .....	13
7 Electrical Connections & Wiring Diagram.....	20
8 Commissioning and Testing.....	22

### Stratton mk3 - DISCLAIMER

Not all cascades included in this manual are available at initial product launch.  
For availability refer to the table below:

Boiler	Water Header Size	Maximum No. Boilers in Cascade	Maximum Output in Cascade (kW)
S3-80	DN80	4	320
S3-100	DN80	4	400
S3-120	DN80	3	360
S3-150	DN100	3	450

**Note:** This information will be updated in the next revision of this manual.

## IMPORTANT

**THESE KITS CAN BE USED IN CONJUNCTION WITH  
LOW LOSS HEADERS & PLATE HEAT EXCHANGERS  
SUPPLIED AS PART OF THE STRATTON MK3 OPTIONS RANGE**

# 1 INTRODUCTION

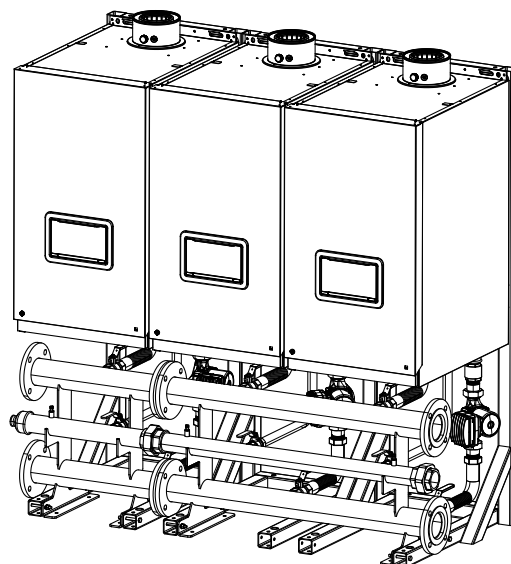
This technical data contains information for dimensioning & assembly of a cascade system kit for the Stratton mk3.

Frame and header kits are available 'in line' configurations only.

## GENERAL DESCRIPTION OF FRAME & HEADER KITS

A requirement to spread the total required heat output over several boilers can be accommodated by the use of the Hamworthy multiple boiler frame & header kit options.

All headers and pipe work should be insulated in accordance with the Non Domestic Building Services Compliance Guide. To ensure compliance with the maximum heat loss criteria, insulation thickness should be calculated according to BS EN ISO 12241 using standardised assumptions.



# 2 GENERAL DESCRIPTION OF SYSTEMS

## 2.1 FRAME AND HEADER KIT DESIGN OPTIONS

The Stratton mk3 boilers are suitable for use in a multiple boiler configuration. The Stratton mk3 multiple boiler system is available in side by side and giving the opportunity to choose the optimum footprint size or wall space for a given output. 80-150 kW kits include the support frame. Boilers can be wall mounted required.

Table 1 80-120 kW

Available Rig Configurations	Total Output Required kW	Number of boilers and Frames	Footprint Size W x D x H (mm)	Frame and Header Kit	
				Size	Prod. No
	Range				
Single Frame Configurations	80-120	1	500 x 704 x 1535	DN80	232865
Twin Frame Configurations	160-240	2	1000 x 704 x 1535	DN80	232866
Triple Frame Configurations	240-360	3	1500 x 704 x 1535	DN80	232867
Quad Frame Configurations	320-480	4	2000 x 704 x 1535	DN80	232868
Five Frame Configurations	400-600	5	2500 x 704 x 1535	DN80	232869
Six Frame Configurations	480-600	6*	3000 x 704 x 1535	DN80	232870

\* Max 6 x 100 kW only. H=Height from floor to top of frame, D=Depth from installed wall to front of kit, W=Width of installed kit

Table 2 150 kW only

Available Rig Configurations	Total Output Required kW	No of boilers and Frames	Footprint Size W x D x H (mm)	Size	Frame and Header Kit	
					No sep/ LLH	PHEX sep
	Range					
Single Frame Configurations	150	1	500 x 794 x 1830	DN100	235371	232871
Twin Frame Configurations	300	2	1000 x 794 x 1830	DN100	235372	232872
Triple Frame Configurations	450	3	1500 x 794 x 1830	DN100	235373	232873
Quad Frame Configurations	600	4	2000 x 794 x 1830	DN100	235374	232874
Five Frame Configurations	750	5	2500 x 794 x 1830	DN100	235375	232898
Six Frame Configurations	900	6	3000 x 794 x 1830	DN100	235376	232899

**Note.** All boilers need to be sized in accordance to the total required heat load and the modulation capabilities of the appliances.

Table 3 Available Stratton mk3 Boilers

kW	Product No.
Stratton mk3 80	AA082638
Stratton mk3 100	AA082639
Stratton mk3 120	AA082640
Stratton mk3 150	AA082641

Table 4 Low Loss Header Accessories

DN80	DN100
232876	232877

continued . . . . .

System separation PHEX kits are offered at the below kW ratings and are supplied with suitable pipe spools for connection to frame and header kits.

**Table 5 System Separation PHEX Kits**

<b>Product Number</b>	<b>Frame and Header Size</b>	<b>PHEX kW</b>
232893	DN80	150
232894	DN80	300
232895	DN80	450
232896	DN80	300
236388	DN100	300
236389	DN100	450
232902	DN100	600
232897	DN100	750
232904	DN100	900



## 2.2 MULTIPLE BOILER INSTALLATIONS

The product range includes water and gas headers capable of assembly using threaded socket, compression and PN6 flange connections.

## 2.3 HYDRONIC ISOLATION: LOW LOSS HEADER & PLATE HEAT EXCHANGER

A low loss header or plate heat exchanger allows flow separation within a hydronic system.

This allows two flow circuits to operate with their own flow and pressure drop environments whilst effectively transferring heat to its adjoining water circuit.

This enables the modern high resistant, high efficiency boilers to operate under their optimum conditions, while the main heating circuit operates to its own controlled optimum requirements.

## 2.4 OUTPUT CONTROL

All pumps should be wired to the appliance to allow a controlled pump over run.

If using an external pump control system the capability of a timed pump over run signal provided by the appliance must be maintained at all times.

## 2.5 GAS SUPPLY

For Stratton mk3 the 80, 100, 120 & 150 boilers are configured for use with natural gas, or 80,100 & 120 running on Propane.

Connection to the gas supply must be in accordance to with all the applicable regulations.

The water header kits are supplied with a 2" gas header and associated components and hoses to make the connection to the appliance.

**Note.** Test points are provided at each end of the 2" gas header. The test point nearest to the gas inlet is intended to be used as the appliance inlet pressure point.

## 2.6 ASSEMBLY

The frames must be located in a suitable place that affords a flat and level floor-area of suitable load bearing capacity. Care must be taken when locating the frames that space is available for the servicing, installation and maintenance of the appliance and all of the associated connections and equipment. (See Appliance manuals)

When using multiple frames they must be bolted together and secured to the floor.

## 2.7 SAFE HANDLING

Installation may require 2 or more operatives to move it to its installation site, remove it from its packaging base and during movement into its installation location. Manoeuvring may include the use of a sack truck and involve lifting, pushing and pulling.

Caution should be exercised during these operations.

Operatives should be knowledgeable in handling techniques when performing these tasks and the following precautions should be considered:

- Grip the boiler at the base.
- Be physically capable.
- Use personal protective equipment as appropriate, e.g. gloves, safety footwear.

During all manoeuvres and handling actions, every attempt should be made to ensure the following unless unavoidable and/or the weight is light:

- Keep back straight.
- Avoid twisting at the waist.
- Avoid upper body/top heavy bending.
- Always grip with the palm of the hand.
- Use designated hand holds.
- Keep load as close to the body as possible.
- Always use assistance if required.

## 3 MULTIPLE BOILER SYSTEM COMPONENTS

### 3.1 GENERAL

The multiple boiler systems consist of the following components:

- Pipekit (1 and 2 wide configurations)
- Boiler gas header.
- Boiler flow and return headers supported on mounting skid
- Low loss mixing header (optional)
- Hardware pack (includes essential connection and valve components)
- Circuit extension kits (optional)
- Plate Heat exchanger kit (optional)
- Boiler pump

### 3.2 MAIN WATER HEADERS

The main water headers consist of: water flow, water return headers custom sized for all boilers. It is possible to extend the system to a maximum of 6 boilers in a linear configuration.

Each header kit provides water flow and return headers sized either DN80 or DN100 dependent on total maximum combined heating output required.

### 3.3 GAS HEADER

The Gas header consists of a custom manufactured 2" manifold. This is located in a cradle incorporated within the header mounting skid.

### 3.4 BOILER PUMP

Pump kits and External pump controls (**sold separately**) are designed to provide the optimum flow around the appliance water circuit ensuring the maximum flow rates are contained within the design constraints of the appliance.

### 3.5 BOILER CONNECTION KITS

The connection kit contains the following components:

1. Boiler return leg complete with isolating valve, pump, non return valve, drain cock and fibre seals.
2. Boiler flow leg complete with isolating valve, pressure relief valve and fibre seals.
3. Header blanking flanges, fasteners and gaskets.
4. Mixing header fasteners and gasket.

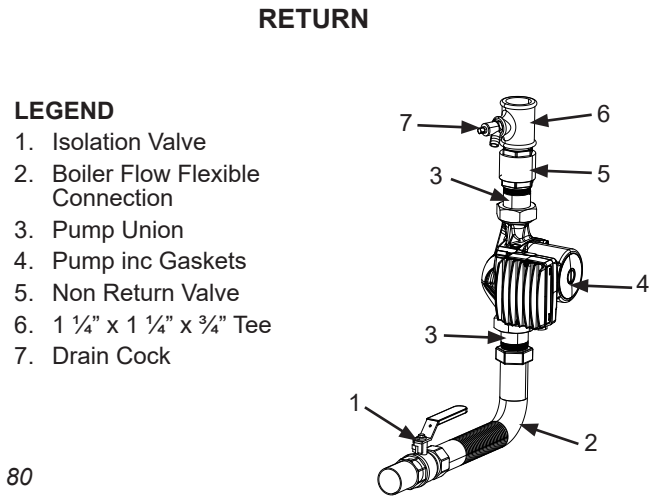
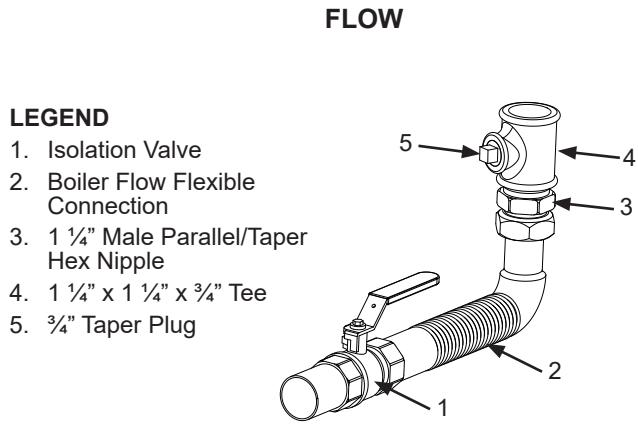


Figure 1. DN 80

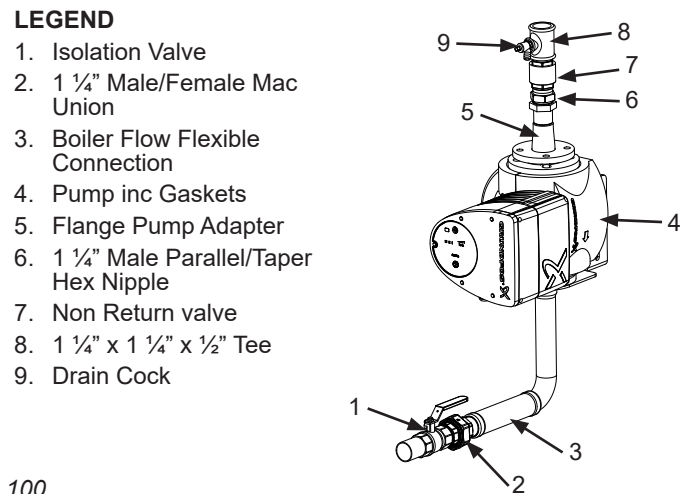
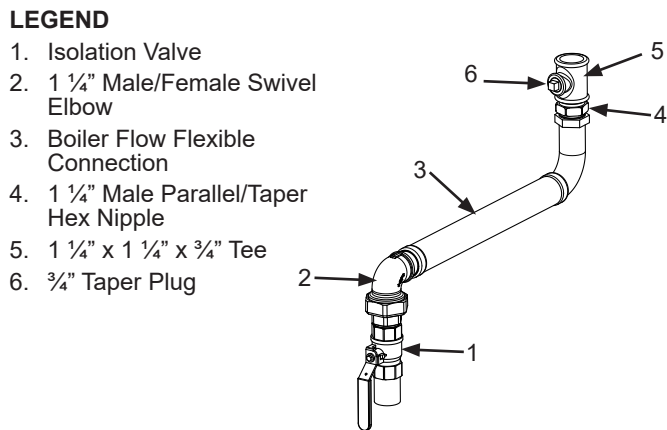


Figure 2. DN 100

### 3.6 INSTALLATION AREA AND DIMENSIONS

Care must be taken to ensure adequate access for boiler / cascade system installation and servicing.

A minimum of 450 mm clearance must be provided from the front of the installed boilers in cascade to facilitate boiler servicing. Additional clearance must also be considered in the event of boiler replacement.

Consideration to connecting heating flow and return pipework, gas supply and condensate drainage must be given. Routing of the condensate drain must be made to allow a minimum fall of 1 in 20 away from the installed boilers in cascade, throughout its length. Adequate room above the boilers must be provided to install and service the boiler flue system. Further information with respect to flue and condensate drain connection is provided in the installation and servicing instructions provided within the boilers packaging carton.

# IMPORTANT POINTS

## Before commencing installation:

- The frames must stand on a flat and level floor of suitable load bearing capacity.
- The header must be bolted to the frame before the hoses are connected to the boiler.

## **MOUNTING FRAME MUST BE SECURED TO THE FLOOR WITH BOLTS**

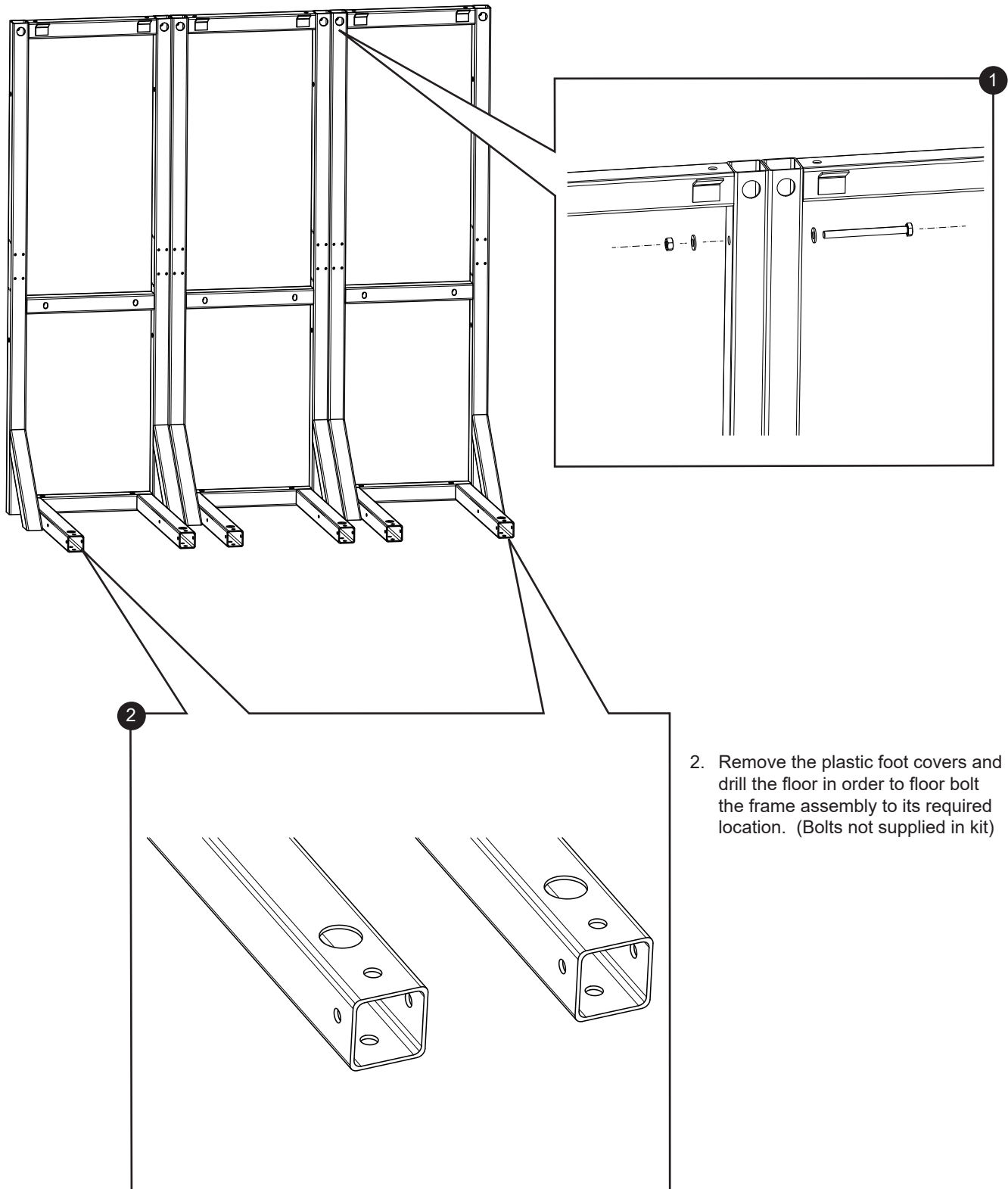
Allowances must be made for installation where features are in place that may affect the nominal installation conditions.

## 4 FRAME KIT INSTALLATION PROCEDURE

### 4.1 SIDE BY SIDE FRAME KIT MOUNTING PROCEDURE

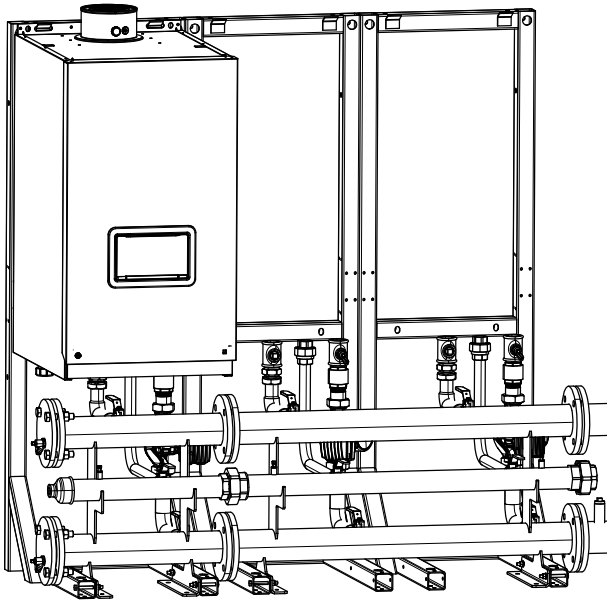
1. Place the frame kit sections in the required position and bolt them together at the top and bottom with the bolts, nuts and washers provided.

**IMPORTANT: MOUNTING FRAME MUST BE SECURED TO THE FLOOR WITH BOLTS**



## 4.2 BOILER MOUNTING

1. As appropriate mount the boilers onto either the wall plates or the side by side pipekit.



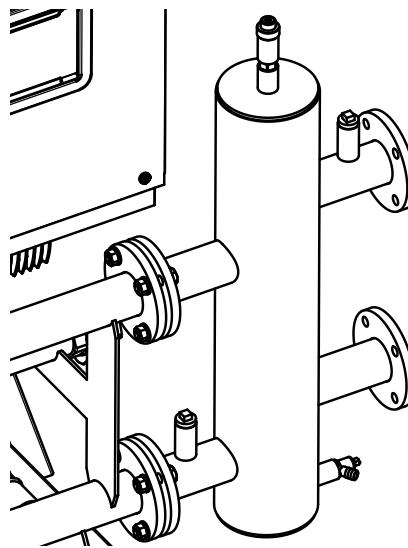
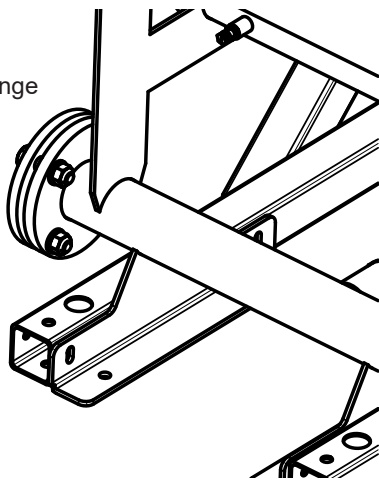
## 5 LOW LOSS HEADER ASSEMBLY (OPTIONAL ACCESSORY)

### 5.1 FITTING LOW LOSS HEADER AND BLANKING FLANGES

1. Fit the low loss header and blanking flanges in the chosen positions.

**Note.** Low loss header can be located either LHS or RHS of the headers.

Blanking Flange

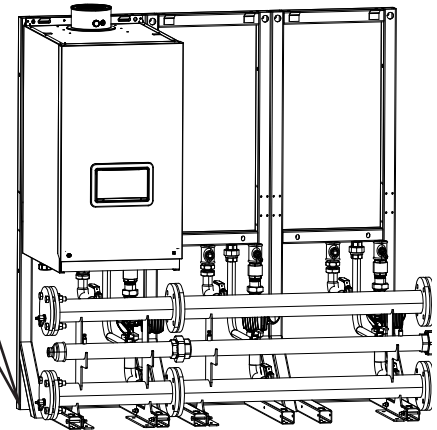
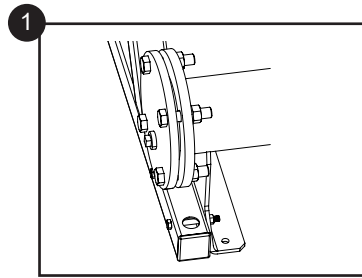
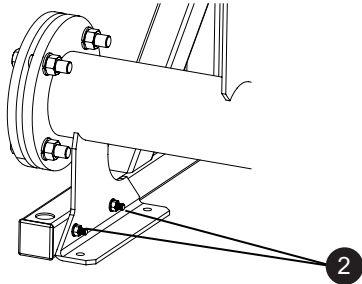


Low Loss Header

**Note.** For instructions relating to PHEX accessory, please see separate installation manual.

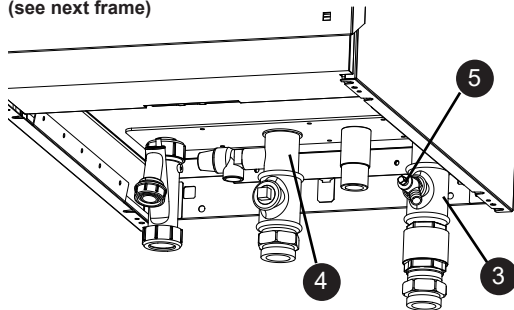
## 5.2 FITTING HEADER KIT ASSEMBLY (Steps 1 thru 5 are applicable to Magna 1 and UPMXXL)

1. Slide the header kit assembly between the frame legs but do not screw the header kit to the frame at this stage.
2. Screw the header feet to the frame feet with the bolts, nuts and washers provided – Do not tighten fully.



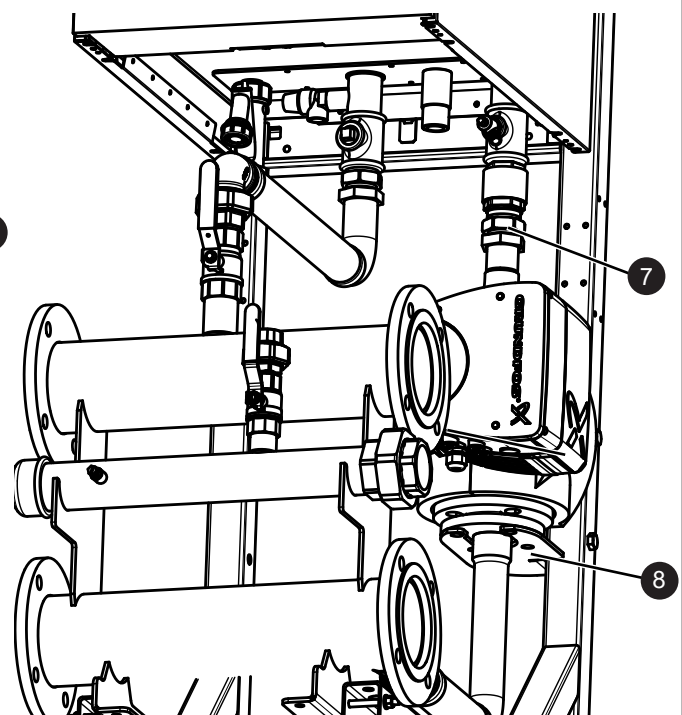
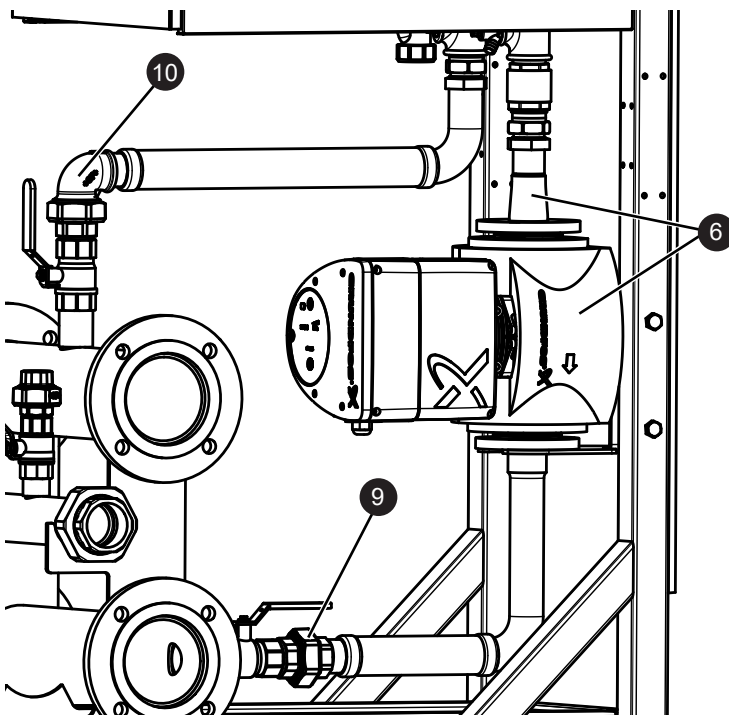
3. Connect the pump assembly to the boiler return connection using suitable jointing compound. Ensure orientation of the tee is appropriate for draining.
4. Connect the flow assembly to boiler flow connection using suitable jointing compound.

Magna 1 shown, UPMXXL similar (see next frame)



5. Fit drain valve into the 1/2" outlet of the tee on the return connection. Note this must be fitted after the tee is fitted to the boiler.

Magna 1 shown, UPMXXL similar (see next frame)



**FOR UPMXXL DO STEPS 6, 7 AND 8 SHOWN ON NEXT PAGE (UPMXXL INSTRUCTIONS)**

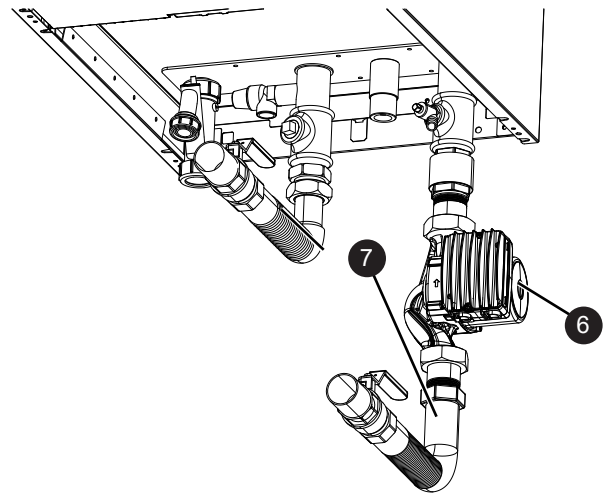
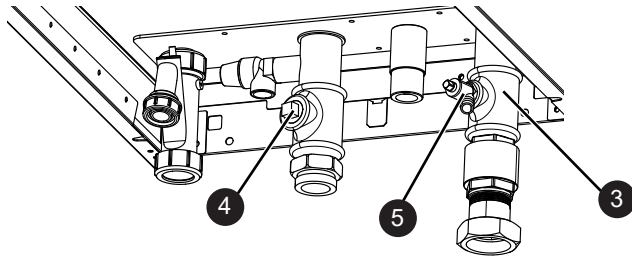
### MAGNA 1 Continued...

6. Fit the Pump Adapter to the top side of the pump connection using the bolts and gaskets provided as a sub assembly.
7. Fit the pump and adapter to the boiler return connection using the sealing washers provided.
8. Fit the pump support plate to the frame and return hose, ensuring the support plate is on the underside of the flange then bolt to the pump flange.
9. Screw Return Hose into the return Mac Union using a suitable sealing compound and tighten the Mac Union.
10. Fit the hose into the elbow on the flow connection then Fit the flow flexible header connection to the flow connection using the sealing washers provided.
11. Tighten header feet to frame feet bolts. Tighten bolts refer to step 2.

## UPMXXL INSTRUCTIONS

6. Fit the pump to the boiler return connection using the gaskets provided.
7. Fit the two flexible header connections to the boiler pump connection and the flow connection using the sealing washers provided.
8. Tighten header feet to frame feet bolts.

UPMXXL shown



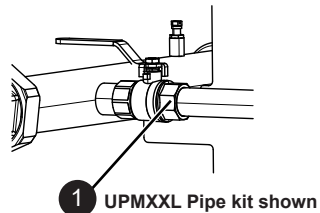
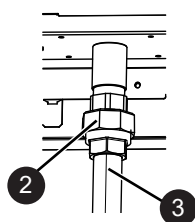
## 5.3 FITTING GAS CONNECTION

1. Fit the gas hose into the gas header using Gas Safe approved jointing compound.
2. Fit the 1" iron union to the gas connection on the underside of the boiler using Gas Safe approved jointing compound.

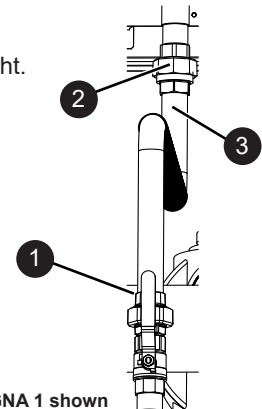
3. Fit the gas hose to the 1" union.

4. Ensure this connection is gas tight.

**Note.** Gas Isolation Valve is supplied with the boiler.



UPMXXL Pipe kit shown

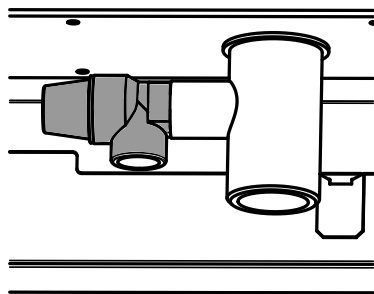


MAGNA 1 shown

## 5.4 PRESSURE RELIEF VALVE CONNECTION

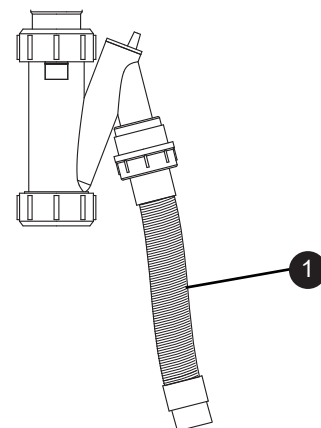
1. Ensure each boiler pressure relief connection is piped to safety.

**Note.** Flow connection removed for clarity.



## 5.5 CONDENSATE SIPHON FITTING

1. Fit the condensate siphon to the boiler and pipe to drain following the recommendations contained in the boiler Installation instructions.



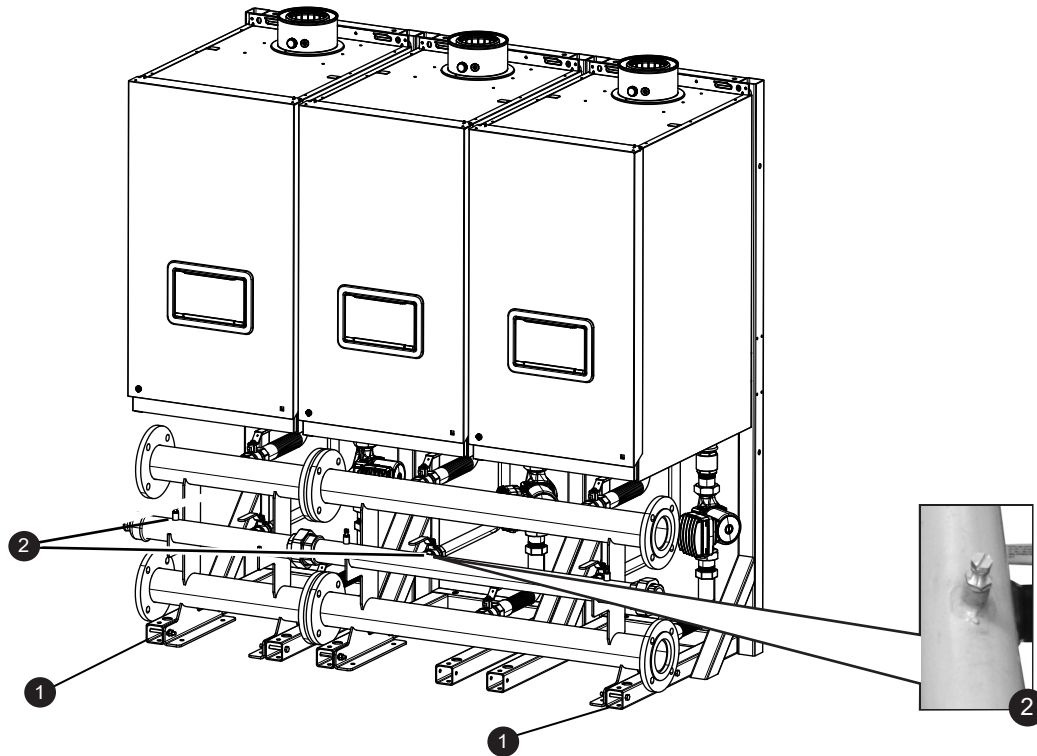


## 5.6 ASSEMBLE HEADER ONTO FRAME

1. Tighten the header bolts onto the frame.
2. Ensure that the test points on the gas header are accessible.

**Note:** The test point nearest the inlet to the rigs is deemed as the appliance pressure test point for the appliances fitted).

3. Test all gas joints to ensure they are gas tight and safe.



## 6 INSTALLATION DRAWINGS FOR MULTIPLE BOILER SYSTEMS

### 6.1 GENERAL

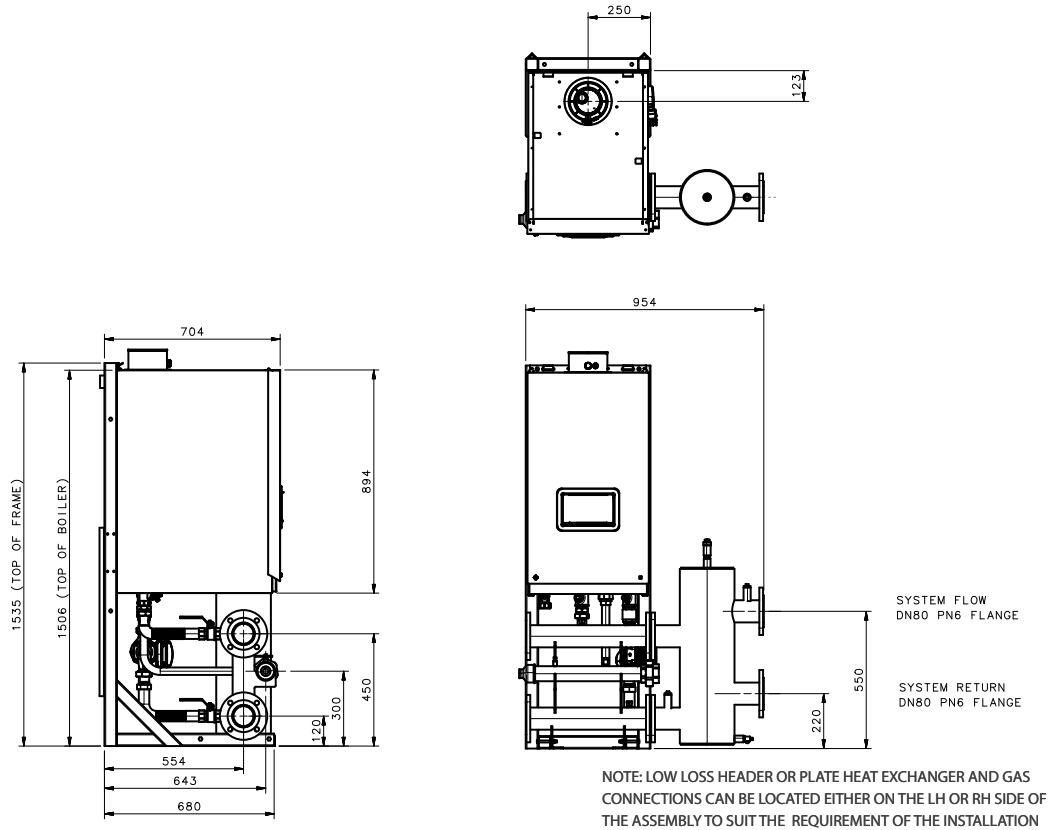
The multiple boiler systems are available in two formats:

- 2 to 6 boilers in a linear configuration, mounted on a wall.
- 2 to 6 boilers in a linear configuration, mounted on a free-standing frame.

**The boiler side of the cascade systems is sized to water flow and return differential  $20\Delta T$ .**

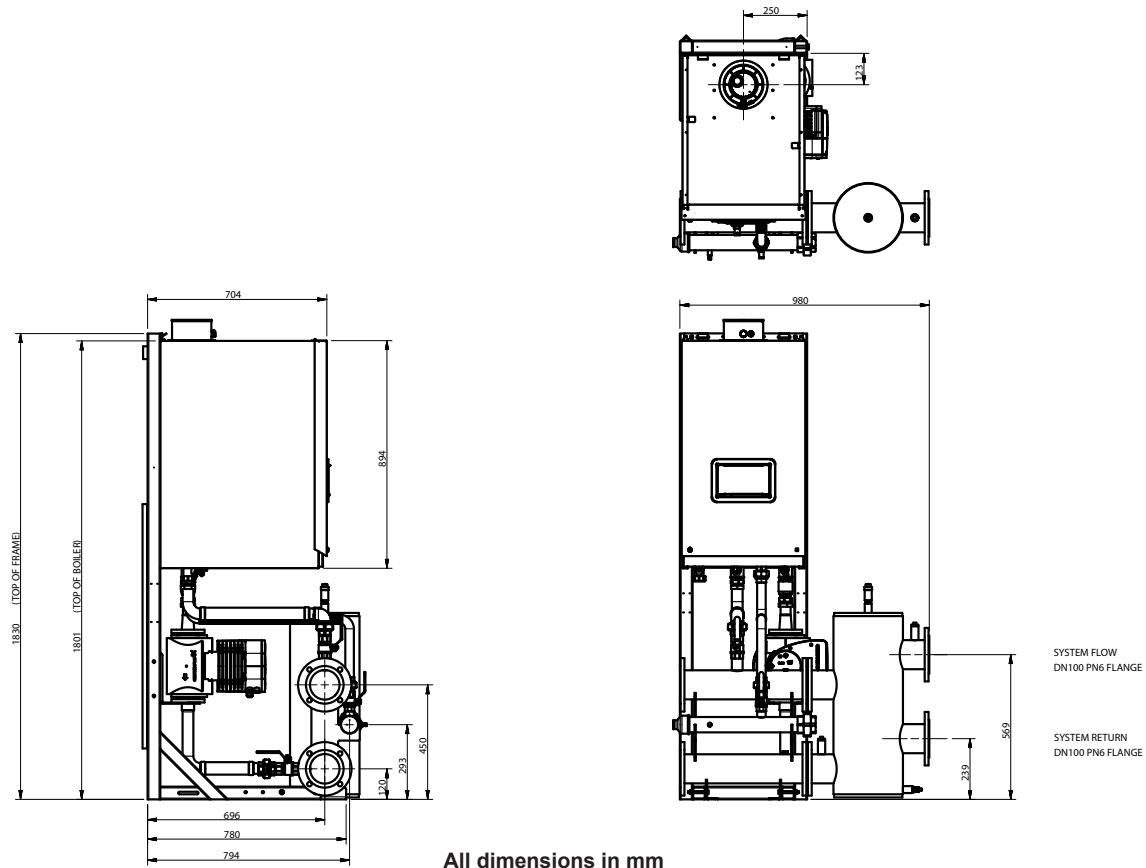
## 6.2 SIDE BY SIDE FRAME KIT CONFIGURATION

### 6.2.1 INSTALLATION DRAWING WITH 1 - DN80 120 kW BOILER (OPTIONAL LOW LOSS HEADER SHOWN FOR INFORMATION)



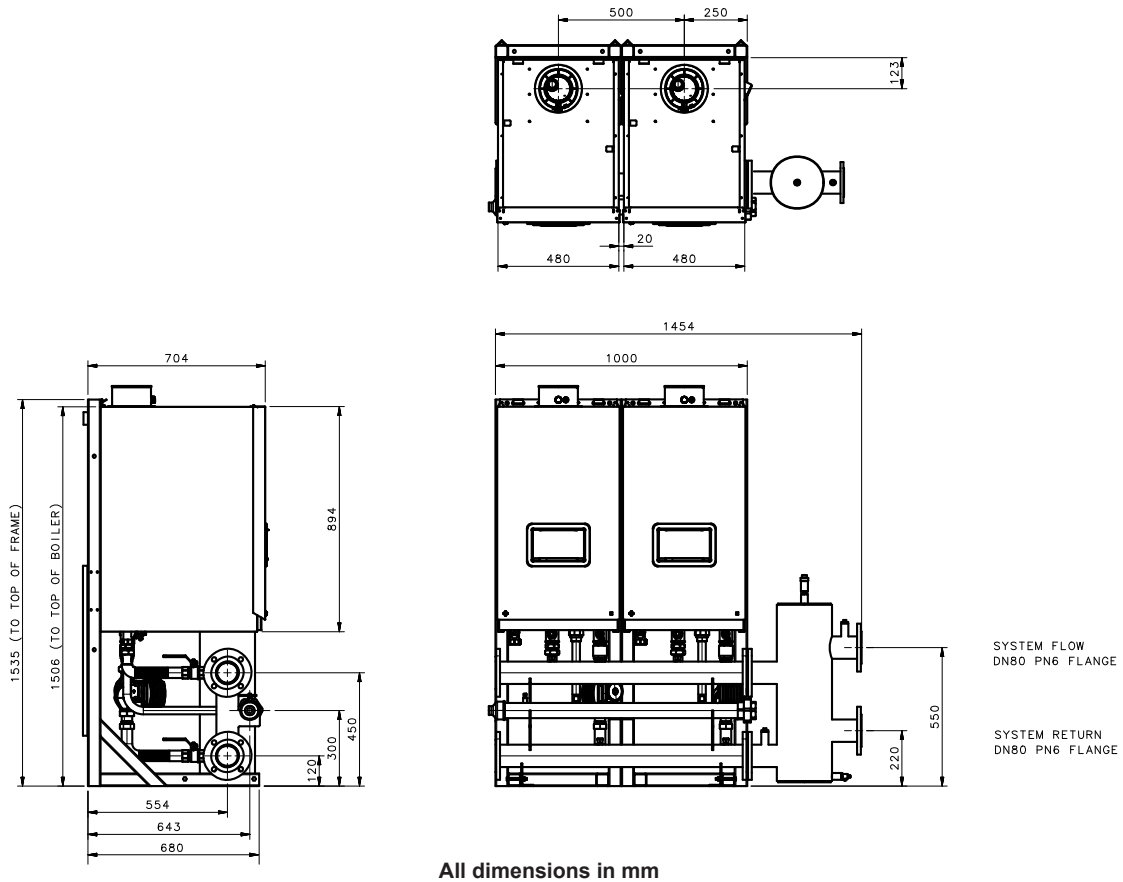
All dimensions in mm

### 6.2.2 INSTALLATION DRAWING WITH 1 - DN100 150 kW BOILER (OPTIONAL LOW LOSS HEADER SHOWN FOR INFORMATION)

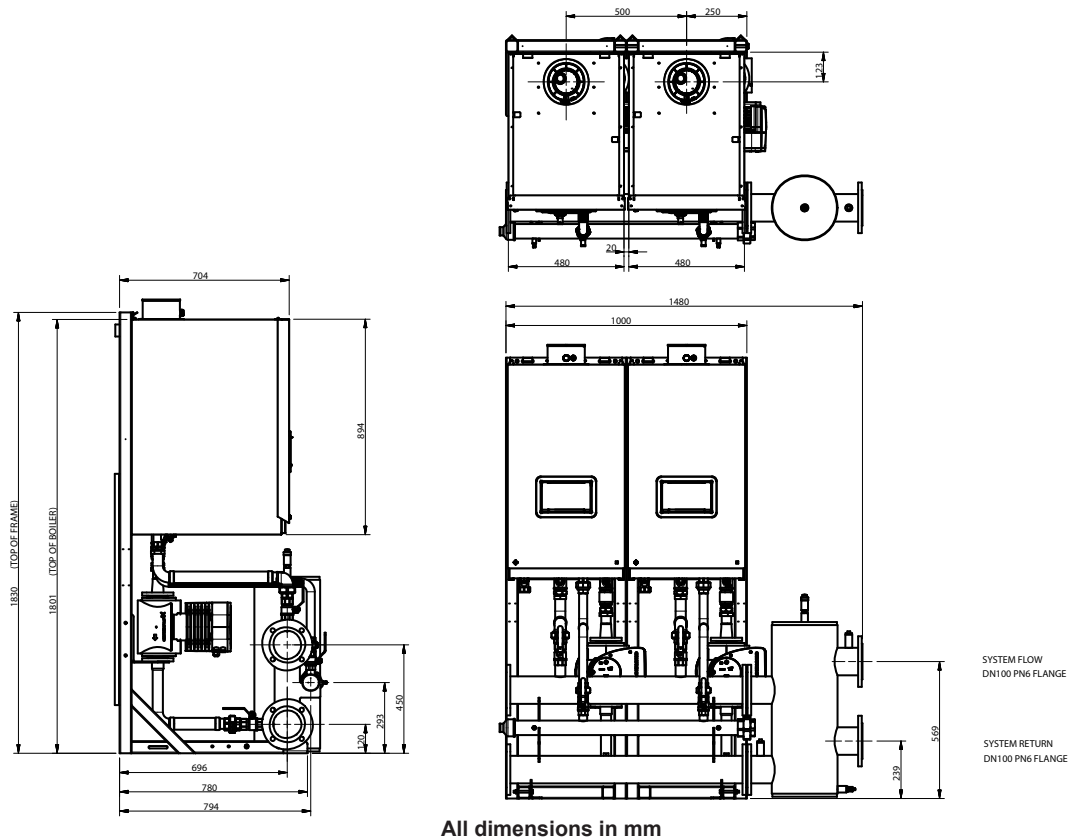


All dimensions in mm

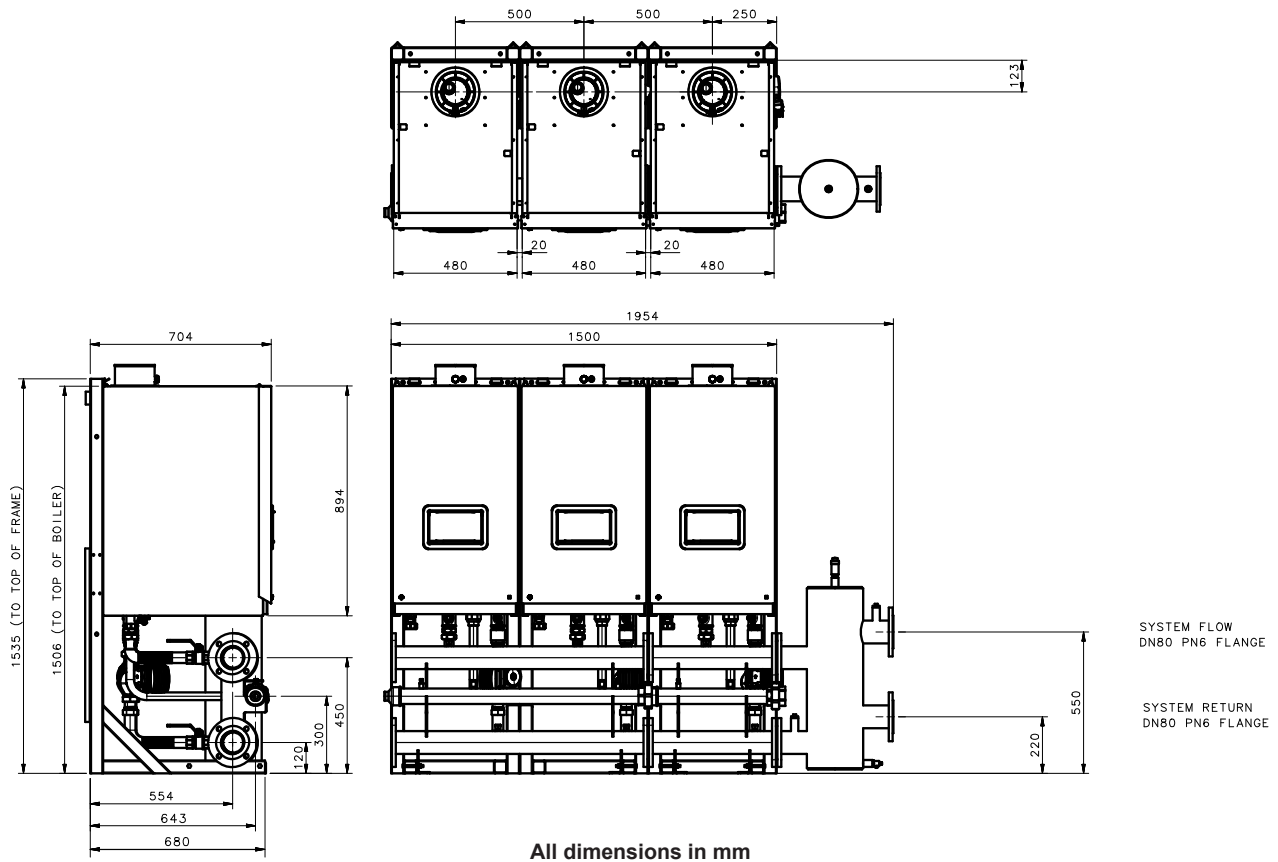
**6.2.3 INSTALLATION DRAWING WITH 2 - DN80 80-120 kW BOILERS (SIDE BY SIDE)  
(OPTIONAL LOW LOSS HEADER SHOWN FOR INFORMATION)**



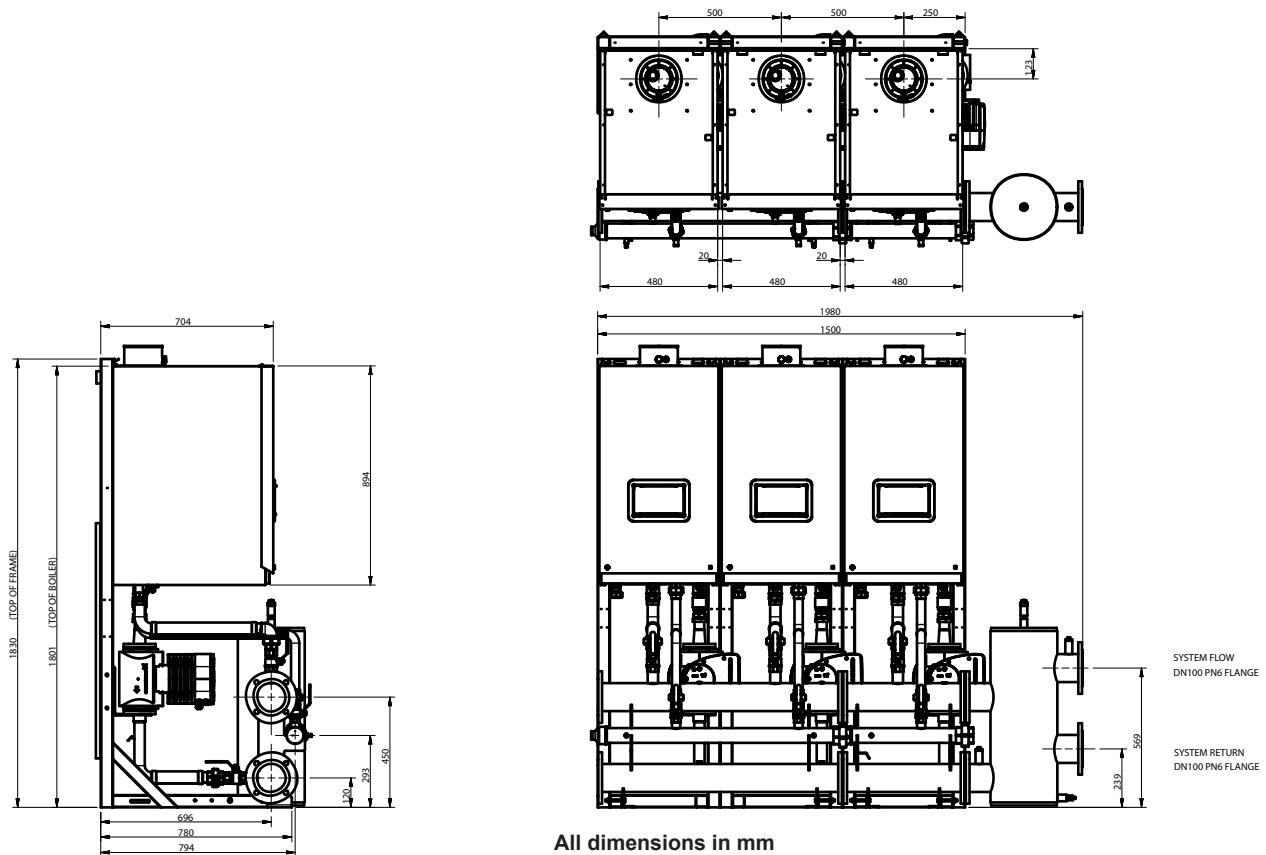
**6.2.4 INSTALLATION DRAWING WITH 2 - DN100 150 kW BOILERS (SIDE BY SIDE)  
(OPTIONAL LOW LOSS HEADER SHOWN FOR INFORMATION)**



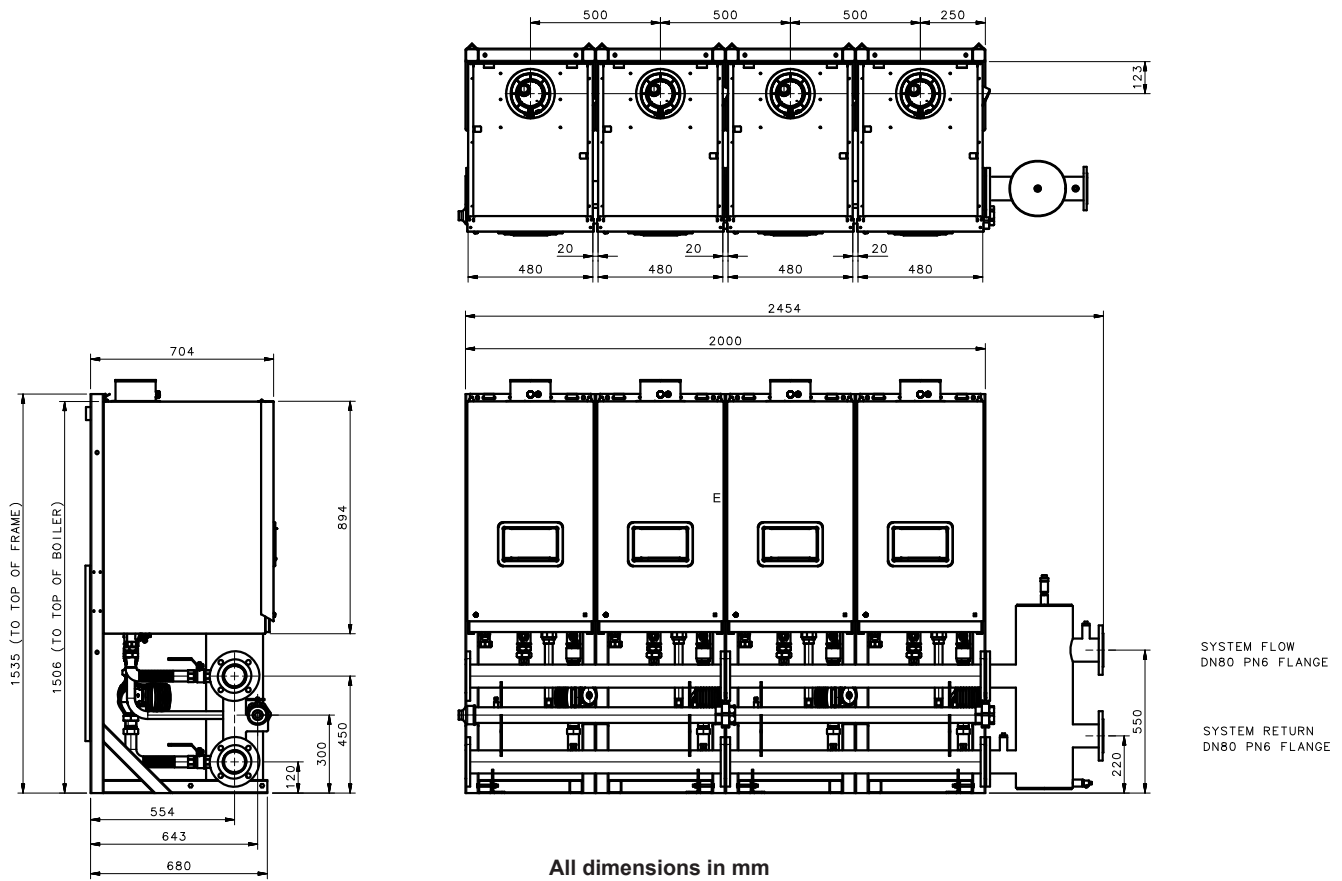
**6.2.5 INSTALLATION DRAWING WITH 3 – DN80 80-120 kW BOILERS (SIDE BY SIDE)  
(OPTIONAL LOW LOSS HEADER SHOWN FOR INFORMATION)**



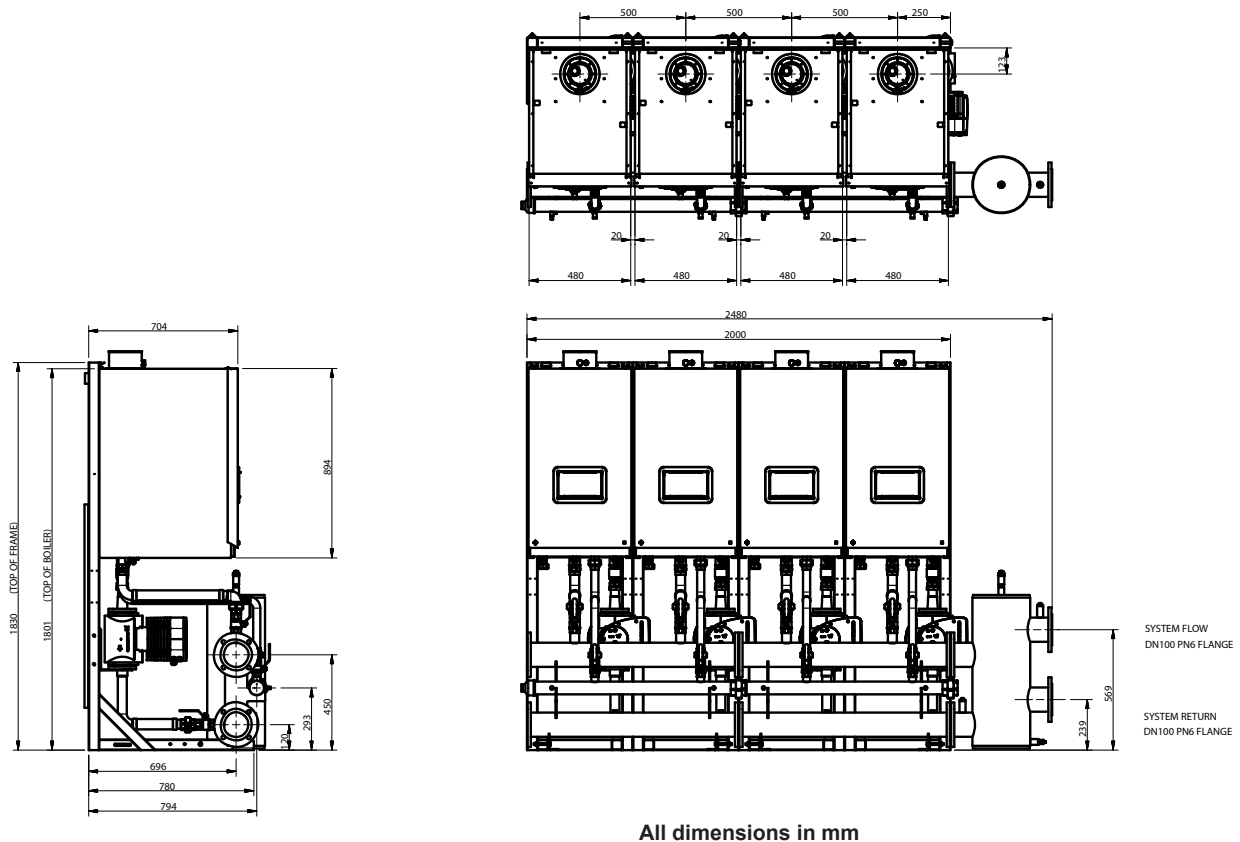
**6.2.6 INSTALLATION DRAWING WITH 3 – DN100 150 kW BOILERS (SIDE BY SIDE)  
(OPTIONAL LOW LOSS HEADER SHOWN FOR INFORMATION)**



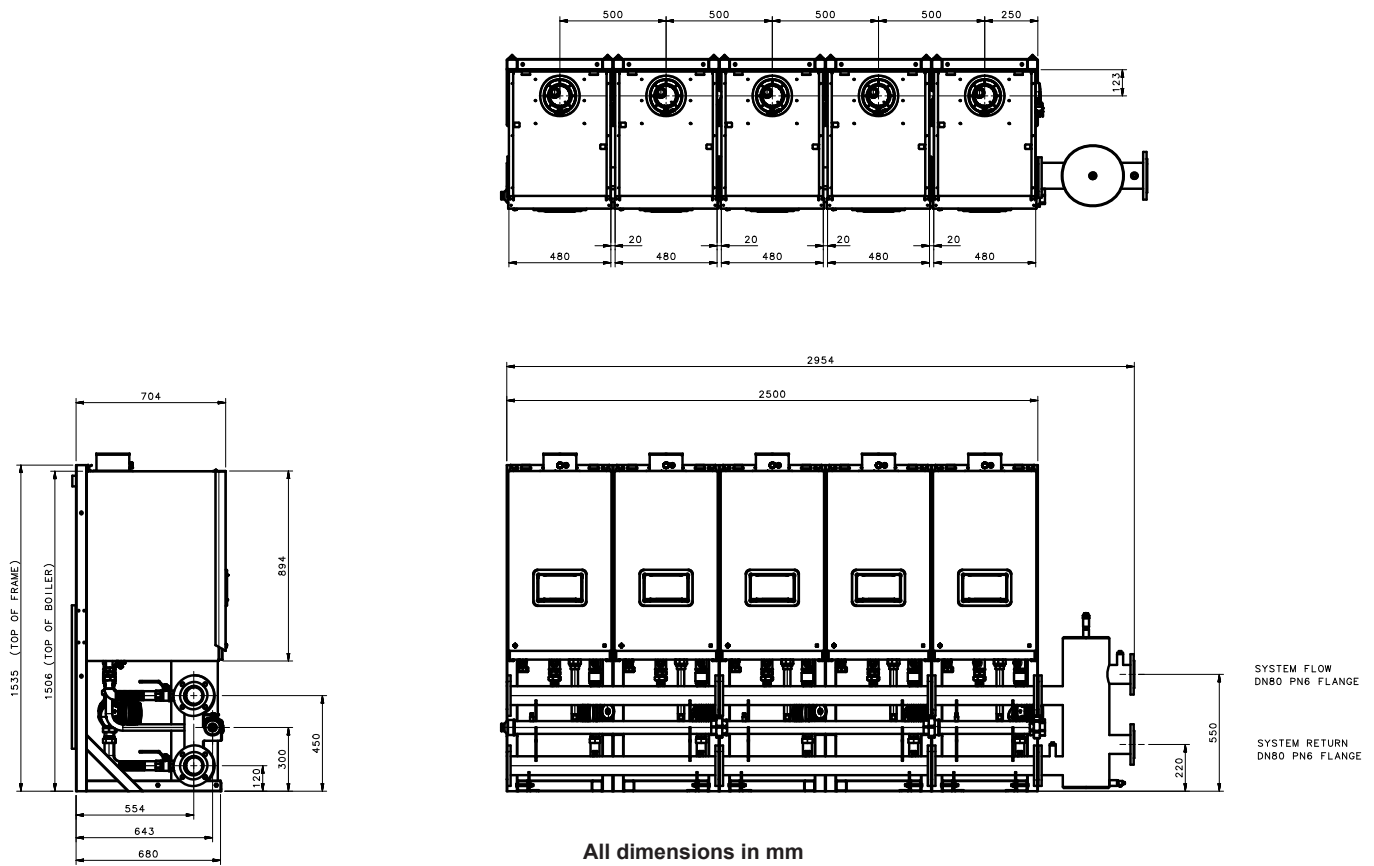
**6.2.7 INSTALLATION DRAWING WITH 4 – DN80 80-120 kW BOILERS (SIDE BY SIDE)  
(OPTIONAL LOW LOSS HEADER SHOWN FOR INFORMATION)**



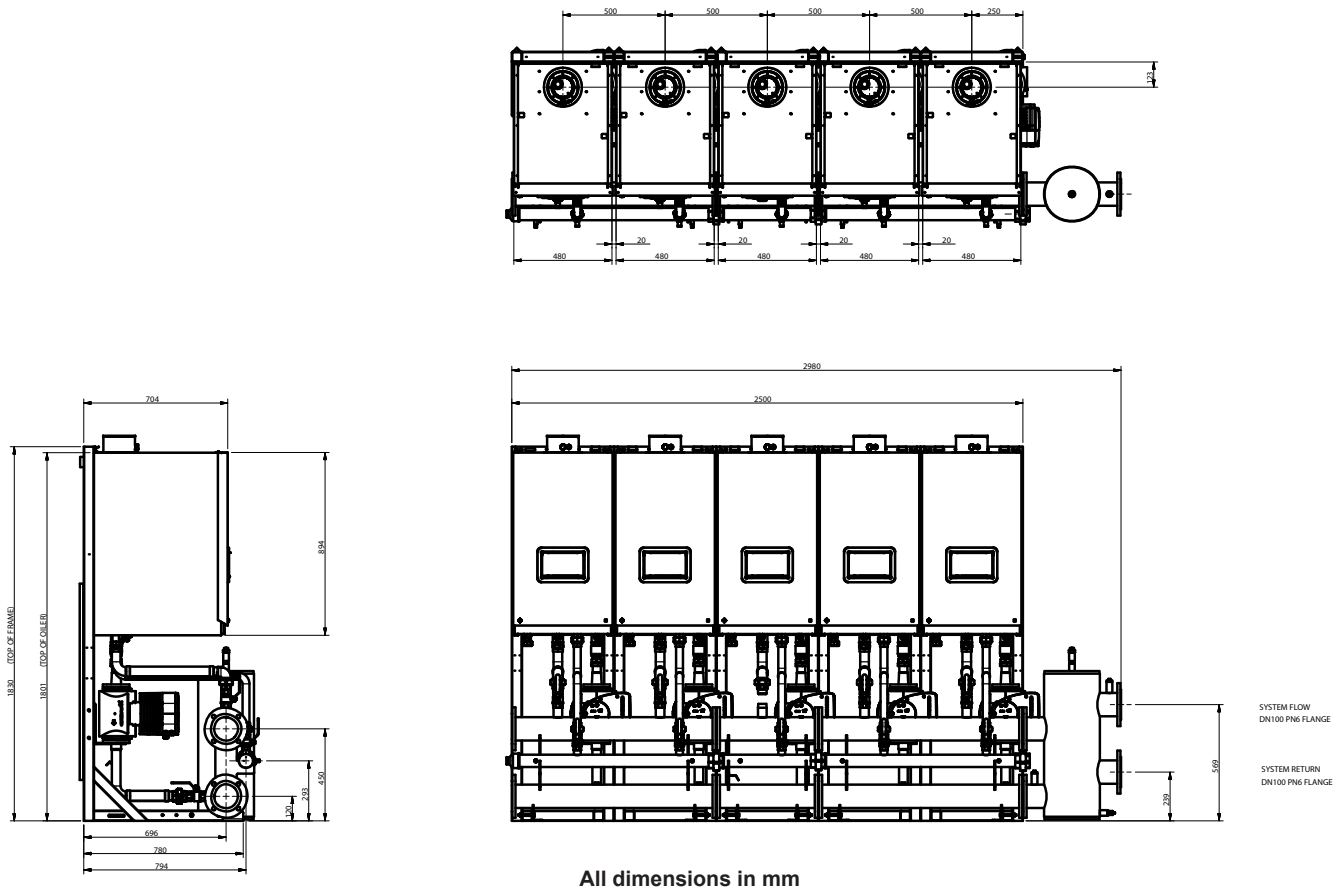
**6.2.8 INSTALLATION DRAWING WITH 4 – DN100 150 kW BOILERS (SIDE BY SIDE)  
(OPTIONAL LOW LOSS HEADER SHOWN FOR INFORMATION)**



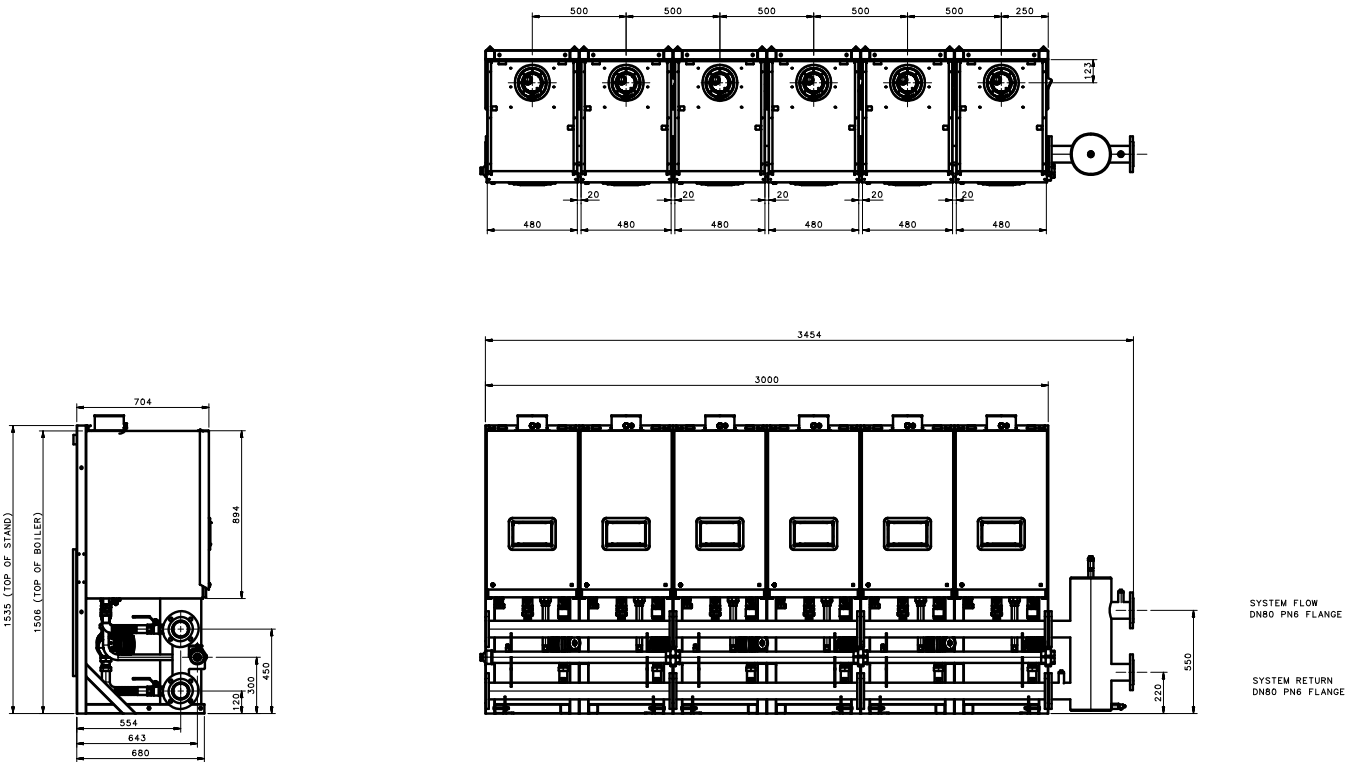
**6.2.9 INSTALLATION DRAWING WITH 5 – DN80 80-120 kW BOILERS (SIDE BY SIDE)  
(OPTIONAL LOW LOSS HEADER SHOWN FOR INFORMATION)**



**6.2.10 INSTALLATION DRAWING WITH 5 – DN100 150 kW BOILERS (SIDE BY SIDE)  
(OPTIONAL LOW LOSS HEADER SHOWN FOR INFORMATION)**

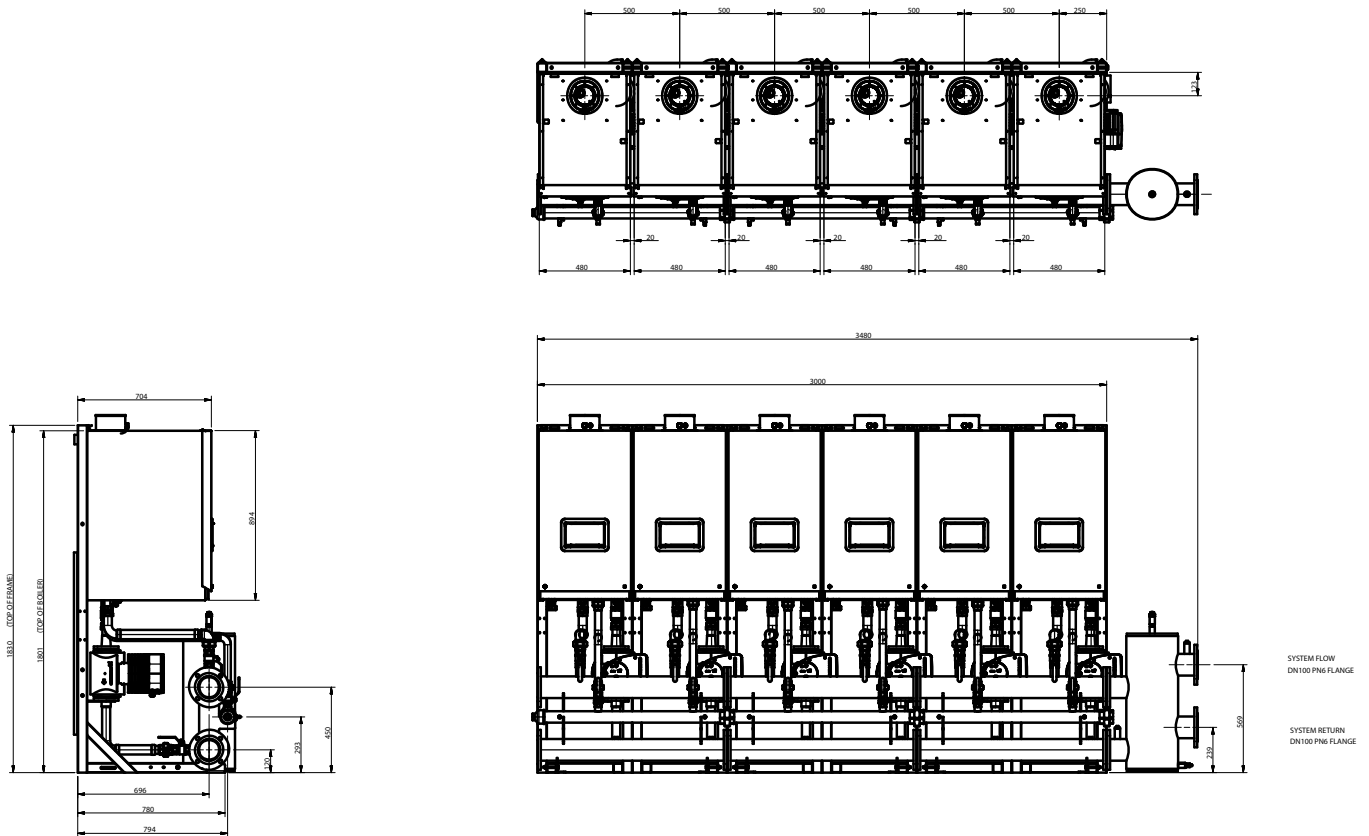


**6.2.11 INSTALLATION DRAWING WITH 6 - DN80 80-100 kW BOILERS (SIDE BY SIDE)  
(OPTIONAL LOW LOSS HEADER SHOWN FOR INFORMATION)**



All dimensions in mm

**6.2.12 INSTALLATION DRAWING WITH 6 - DN100 150 kW BOILERS (SIDE BY SIDE)  
(OPTIONAL LOW LOSS HEADER SHOWN FOR INFORMATION)**

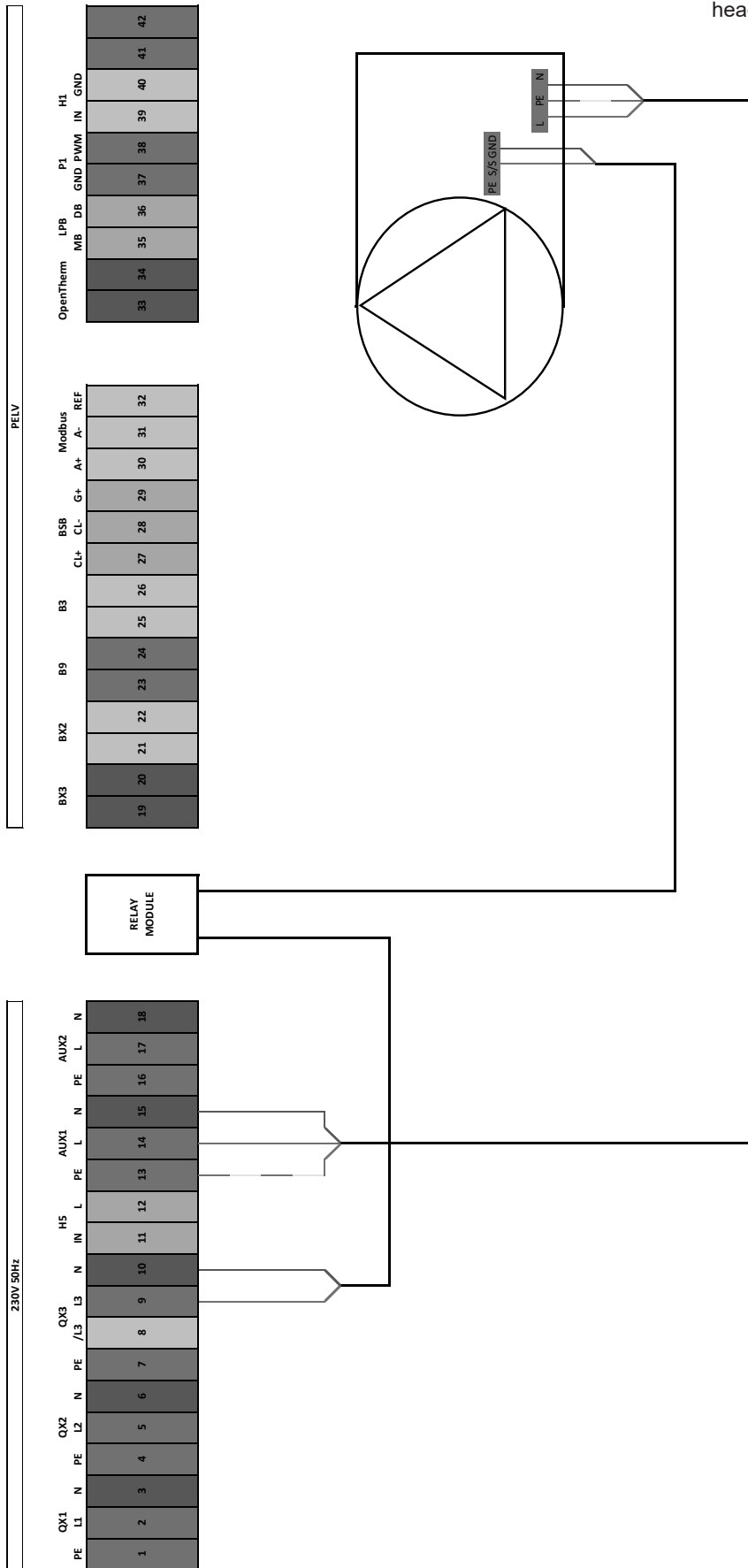


All dimensions in mm

# 7 ELECTRICAL CONNECTIONS & WIRING DIAGRAM

## 7.1 INSTALLER CONNECTIONS FOR MAGNA 1 BOILER PUMP

Note. Used with DN100 frame and header kits.

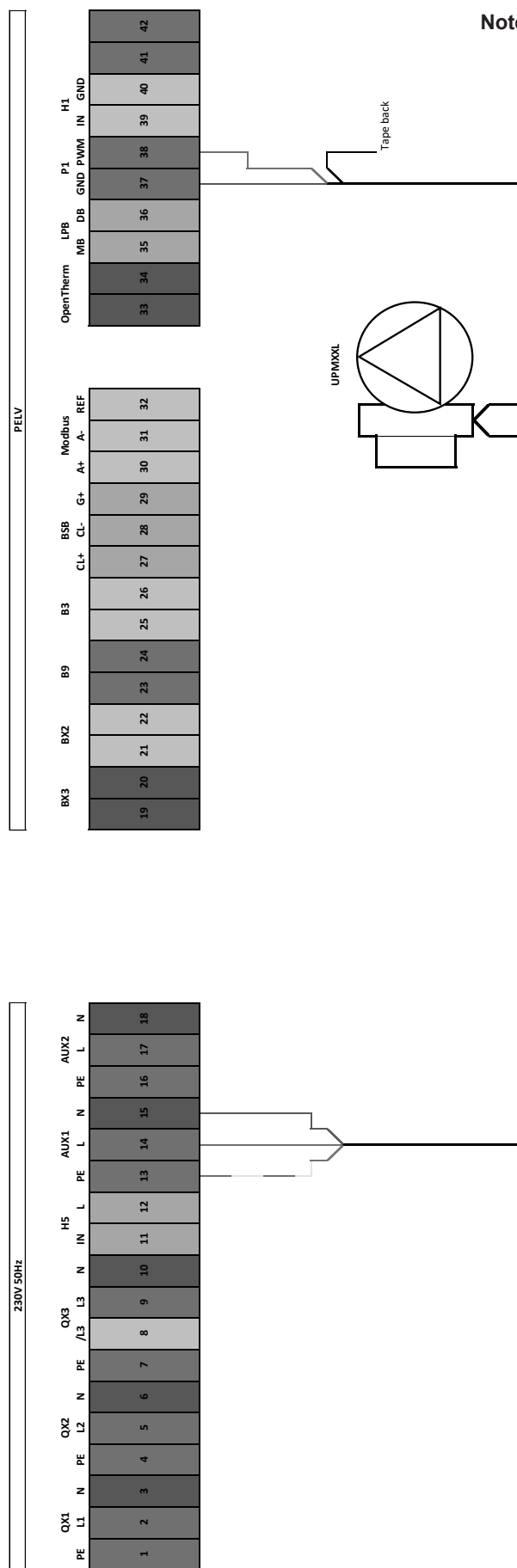


Refer to the Wiring Connection section in the boiler Installation Instructions for wiring details.

**IMPORTANT:** Ensure the boiler pumps are wired to the boiler in order to ensure the boiler pump overrun facility is provided.



## 7.2 INSTALLER CONNECTIONS FOR UPMXXL BOILER PUMP



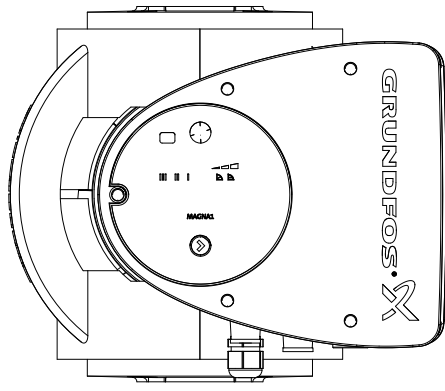
**Note.** Used on DN80 frame and header kits using low loss headers or plate heat exchangers.

Refer to the Wiring Connection section in the boiler Installation Instructions for wiring details.

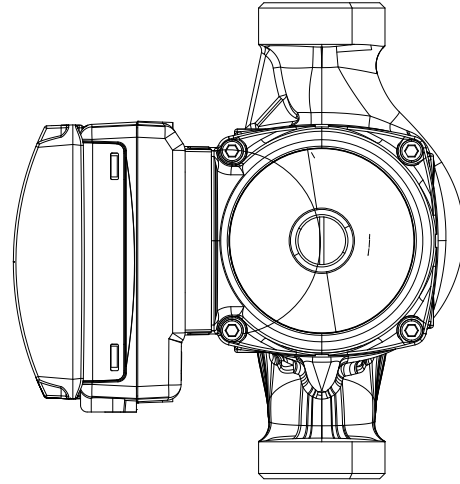
**IMPORTANT:** Ensure the boiler pumps are wired to the boiler in order to ensure the boiler pump overrun facility is provided.

## 8 COMMISSIONING AND TESTING

1. Electrical and gas safety checks must be carried out on completion of installation as with individual boiler commissioning.
2. Pump setting - follow the instructions supplied with the pump, referring to the installation manual



**Magna 1**



**UPMXXL**

## NOTES

# Hamworthy Heating Accredited Agents

## **Southern Ireland (Sales & Service)**

HEVAC Limited  
Naas Road, Dublin 12, Ireland  
tel: **00 353 141 91919** fax: **00 353 145 84806**  
email: [info@hevac.ie](mailto:info@hevac.ie)

## **Scotland (Sales & Service)**

McDowall Modular Services  
2 Penson Road, Queenslie Industrial Estate, Glasgow, G33 4AG  
tel: **0141 336 8795** fax: **0141 336 8954**  
email: [mms@hamworthy-heating.co.uk](mailto:mms@hamworthy-heating.co.uk)

# Hamworthy Heating Customer Service Centre

## **Sales**

tel: 01202 662552  
email: [sales@hamworthy-heating.com](mailto:sales@hamworthy-heating.com)

## **Technical Enquiries**

tel: 01202 662505  
email: [technical@hamworthy-heating.com](mailto:technical@hamworthy-heating.com)

## **Servicing**

tel: 01202 662555  
email: [service@hamworthy-heating.com](mailto:service@hamworthy-heating.com)

## **Spares**

tel: 01202 662525  
email: [spares@hamworthy-heating.com](mailto:spares@hamworthy-heating.com)

British engineering excellence from Hamworthy Heating;  
the commercial heating and hot water specialists.



## **Customer Service Centre**

Hamworthy Heating Limited,  
Wessex House,  
New Fields Business Park,  
Stinsford Road,  
Poole,  
Dorset,  
BH17 0NF

Telephone: **01202 662500**  
Fax: **01202 662522**  
Email: [service@hamworthy-heating.com](mailto:service@hamworthy-heating.com)  
Website: [www.hamworthy-heating.com](http://www.hamworthy-heating.com)