

Technical submittal

Products: **Wessex ModuMax mk3 WM116/232V**

Project:

Customer:

Date:

- ⊙ Stainless steel heat exchanger
- ⊙ 10:1 turndown ratio
- ⊙ Capable of 40°C differential temperature
- ⊙ Operates up to 90°C maximum flow temperature
- ⊙ 10 bar rated heat cell
- ⊙ 10-year heat exchanger warranty
- ⊙ 93.1% gross seasonal efficiency
- ⊙ 230.4kW output @80/60°C
- ⊙ Fits in a footprint of 680 x 836mm
- ⊙ Passes through a standard doorway
- ⊙ 34.3mg/kWh NOx emissions (natural gas)
- ⊙ Noise on minimum modulation of less than 47dba
- ⊙ Built-in controls platform with sequence control and capable of controlling up to 16 boiler modules and hot water circuits.
- ⊙ British manufactured



	Wessex ModuMax mk3 boiler model	Units	116/232V
	No. of modules		2
Energy	Building regulations Part L seasonal efficiency	% gross	93.1
	BS EN 15502 seasonal efficiency	% gross	93.4
	Boiler output 80/60°C, NG & LPG	kW	230.4
	Boiler output 50/30°C, NG & LPG	kW	232.5
	Boiler input (gross) - maximum, NG	kW	266
	Boiler input (gross) - maximum, LPG	kW	260.4
	Boiler input (net) - maximum, NG & LPG	kW	239.6
	Boiler output - minimum 80/60°C, NG & LPG	kW	23.5
Water	Water content	litres	32
	System design flow rate @ 40°C ΔT rise	l/s	1.4
	Water side pressure loss @ 40°C ΔT rise	mbar	7
	System design flow rate @ 30°C ΔT rise	l/s	2
	Water side pressure loss @ 30°C ΔT rise	mbar	14
	System design flow rate @ 20°C ΔT rise	l/s	2.8
	Water side pressure loss @ 20°C ΔT rise	mbar	27
	System design flow rate @ 11°C ΔT rise	l/s	5.2
	Water side pressure loss @ 11°C ΔT rise	mbar	91
	Minimum water pressure	barg	
	Maximum water pressure	barg	10
	Maximum flow temperature setting	°C	90
Gas	Gas flow rate, NG (G20) - maximum	m³/hr	25.4
	Gas flow rate, LPG (G31) - maximum	m³/hr	10
	Nominal inlet pressure, NG (LPG) - maximum	mbar	20 (37)
	Maximum gas inlet pressure NG (LPG)	mbar	25 (45)
Flue	Approx. flue gas volume @ 15°C, 8.75-9.25% CO ₂	m³/hr	320
	Maximum flue gas temperature @ 80/60°C	°C	83
	Pressure at boiler flue connection	Pa	150
		mbar	1.5
	Dry NOx emission (0% excess oxygen, dry air free) - NG	mg/kWh	34.3
Dry NOx emission (0% excess oxygen, dry air free) - LPG	mg/kWh	57.3	
Connection	Water flow/return connections	inches	G1½" male
	Gas inlet connection pipe thread size	inches	R1" male
	Nominal flue diameter (I/D)	mm	180
	Condensate trap connection(s) (O/D)	mm	32
Electrics	Electrical supply		230V 1 Ph 50Hz
	Power consumption - maximum boiler modulation	W	332
	Start current (per module)	Amp	1.2
	Run current (per module)	Amp	0.72
Approx shipping weight	kg	355	
Noise emission @1m @maximum modulation	Max dB (A)	60	
Noise emission @1m @minimum modulation	Min dB (A)	47	

*Dependent on ΔT - see full brochure

Every effort has been taken to ensure the details are accurate. Hamworthy Heating does not, however, guarantee the accuracy or completeness of any information nor does it accept liability for any errors or omissions in the information. Hamworthy Heating reserves the right to make changes and improvements which may necessitate alteration to product specification without prior notice.



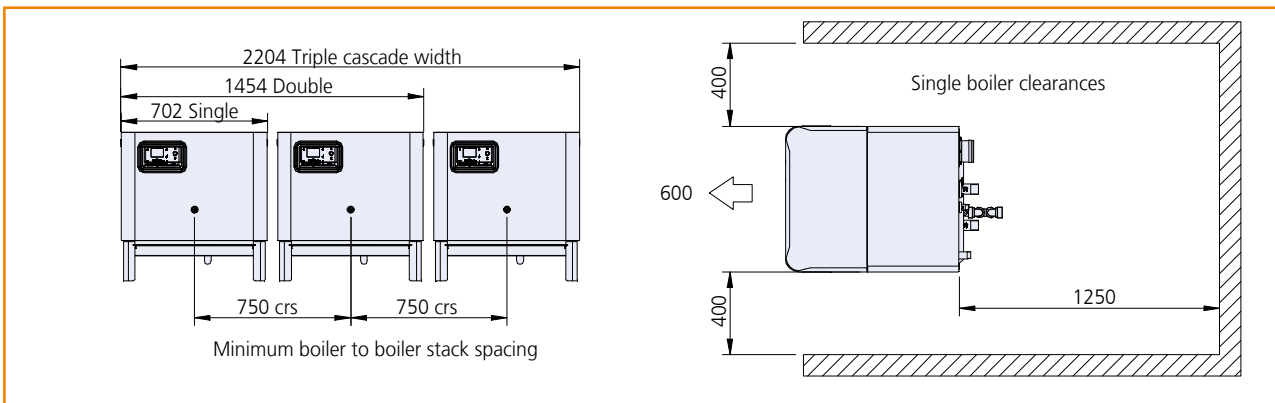
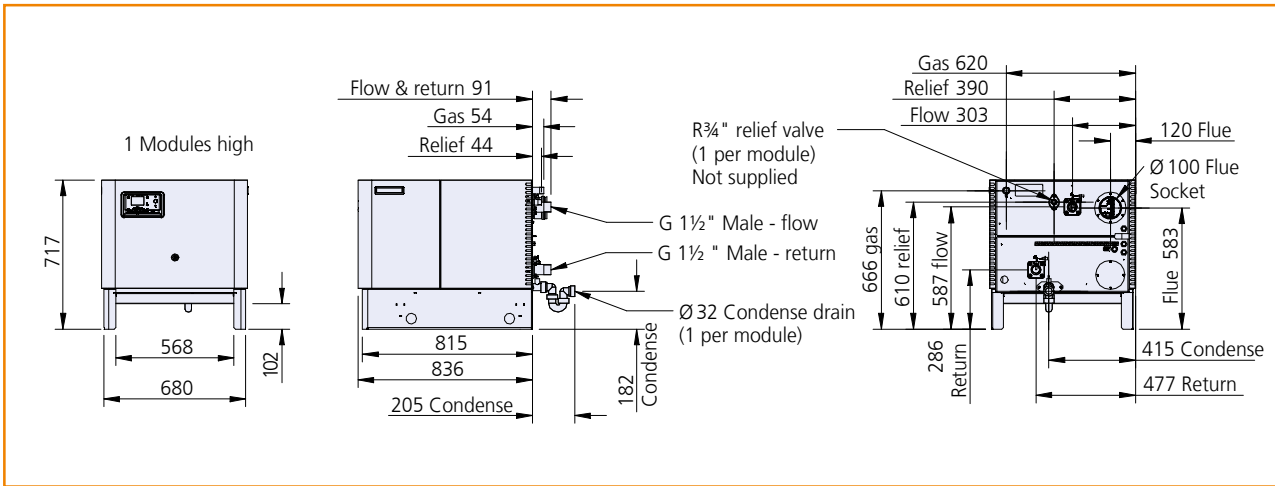
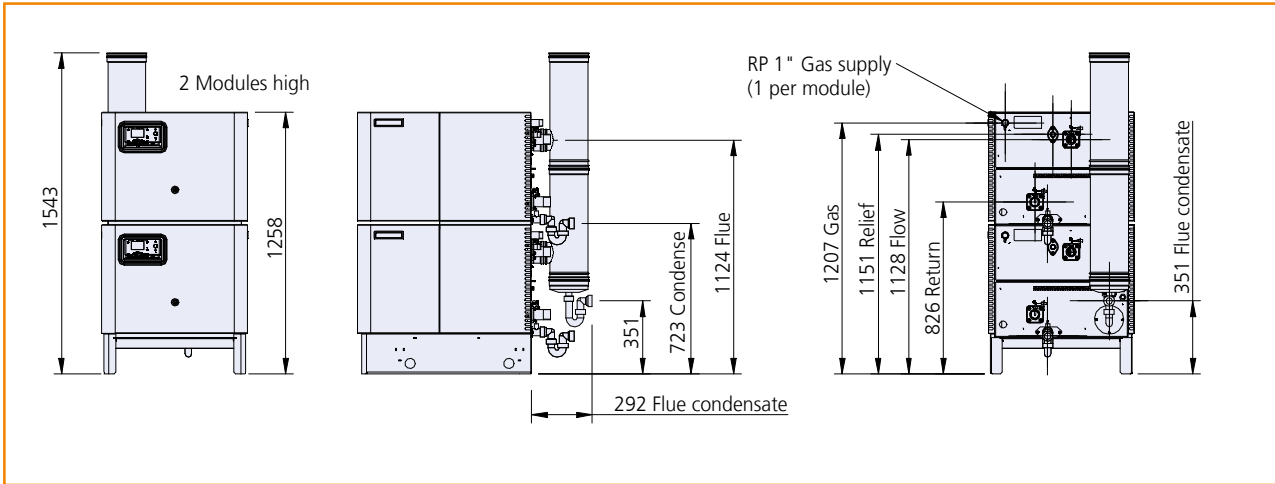
Technical submittal

Products: **Wessex ModuMax mk3 WM116/232V**

Project:

Customer:

Date:



Every effort has been taken to ensure the details are accurate. Hamworthy Heating does not, however, guarantee the accuracy or completeness of any information nor does it accept liability for any errors or omissions in the information. Hamworthy Heating reserves the right to make changes and improvements which may necessitate alteration to product specification without prior notice.