

# Lilliput R Series

## Power Flame Cast Iron Sectional Boilers

There are three models in the Lilliput R series cast iron sectional boiler range with outputs from 40kW to 93kW.

The boilers are suitable for firing class (D) 35 (SR1) oil or natural gas, however, the Estelle 5 model is only available for oil firing.

Designed to meet all current European legislation, the boilers are manufactured to the highest quality standards and are suitable for use on LTHW applications for heating and indirect hot water systems.

Each boiler heat exchanger is supplied fully assembled and pressure tested prior to delivery. On the Estelle 5 model the boiler is supplied to site with the heat

exchanger, boiler casing and control panel fully assembled. 1R6 and 1R9 models have the control panel, boiler casing and smoke hood supplied separately for fitting on site. On all models the burner is supplied separately for fitting on site.

The high quality cast iron sectional heat exchanger is suitable for a maximum working pressure of 4 bar and the front section features a hinged door\* arrangement to provide easy access to the combustion chamber.

\*Hinged door not available on the Estelle 5 model.



- Flexibility in choice of fuels
- High efficiency, saves on fuel costs
- High level of operational reliability
- Tolerant of site conditions
- Long life expectancy

BENEFITS

The Lilliput range of boilers compliment the lower range outputs of the Hamworthy power flame series (40kW to 90kW). Other models in the power flame cast iron series include Broadstone (100kW to 260kW) and Shaftesbury (280kW to 400kW).

| NATURAL GAS |                    |        |       |                      |                             |
|-------------|--------------------|--------|-------|----------------------|-----------------------------|
| Model       | Number of Sections | Output | Input | Flue Gas Temperature | Gas Consumption Natural Gas |
|             |                    | kW     | kW    | °C                   | m <sup>3</sup> /h           |
| Estelle 5   | 5                  | N/A    |       |                      |                             |
| 1R6         | 6                  | 64.8   | 71.5  | 188                  | 7.56                        |
| 1R9         | 9                  | 93.3   | 102.6 | 171                  | 10.85                       |

| OIL       |                    |        |       |                      |                             |
|-----------|--------------------|--------|-------|----------------------|-----------------------------|
| Model     | Number of Sections | Output | Input | Flue Gas Temperature | Fuel Consumption 35 sec oil |
|           |                    | kW     | kW    | °C                   | litres/h                    |
| Estelle 5 | 5                  | 40.0   | 44.3  | 185                  | 4.4                         |
| 1R6       | 6                  | 60.8   | 68.5  | 175                  | 6.47                        |
| 1R9       | 9                  | 87.1   | 97.5  | 153                  | 9.73                        |

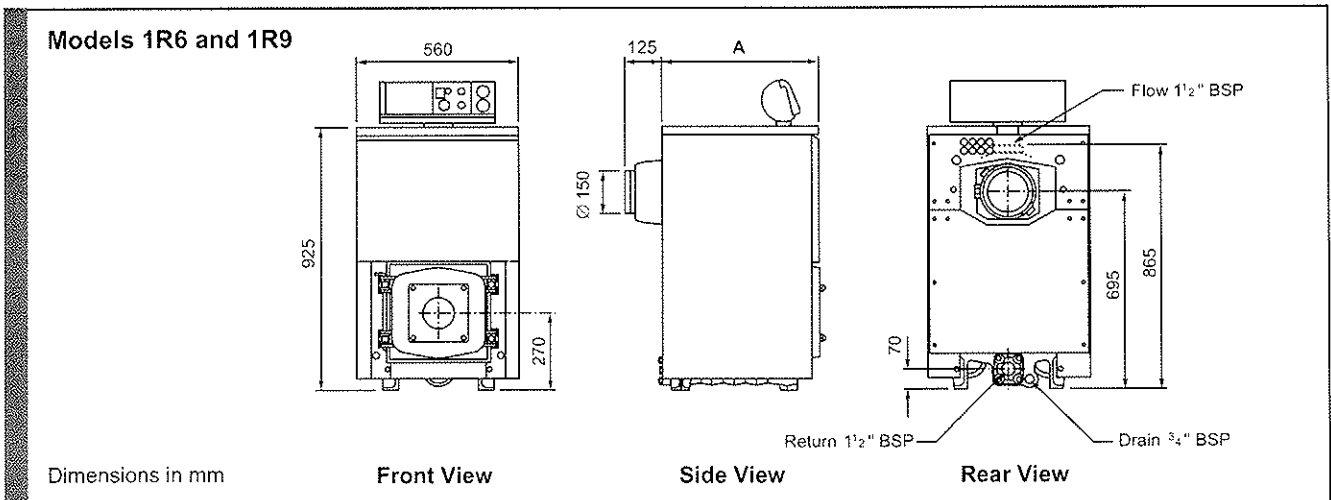
NET OUTPUT GROSS WILL BE LESS



**HAMWORTHY**  
heating products

# Lilliput R Series

## Dimensional Data



It is recommended that all boilers are positioned on a 50mm non-combustible base as a minimum.

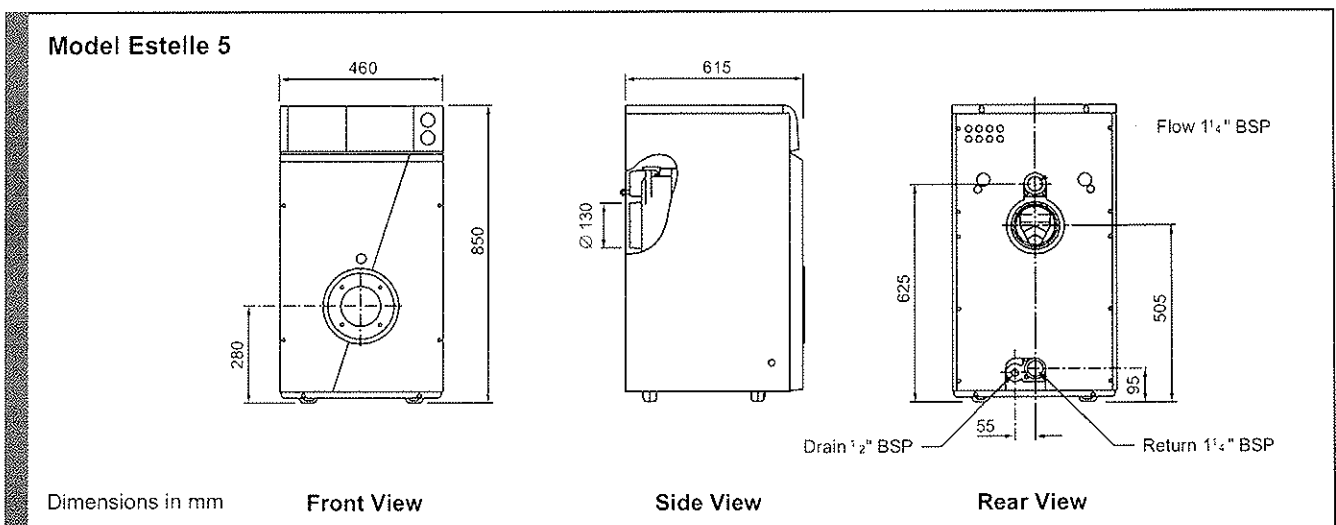
Gas, oil and electrical connections are dependant on the type of burner specified.

Electrical supply: boiler control panel 230v, 50Hz, single phase.

## Specifications

| Model     | Number of Sections | Water Content | Minimum Flow | Boiler Resistance | Flue Gas Volume   | Weight | Dimension A |
|-----------|--------------------|---------------|--------------|-------------------|-------------------|--------|-------------|
|           |                    | litres        | litres/h     | mm wg             | m <sup>3</sup> /h | kg     | mm          |
| Estelle 5 | 5                  | 20.8          | 3493*        | 153*              | 52.8              | 174    | -           |
| 1R6       | 6                  | 37.5          | 2592**       | 60**              | 113               | 287    | 595         |
| 1R9       | 9                  | 51.0          | 3708**       | 130**             | 163               | 386    | 825         |

\* @ 10°C t    \*\* @ 20°C t



## Hamworthy Heating Limited

Fleets Corner, Poole, Dorset BH17 0HH, England.

Tel: 01202 662500. Fax: 01202 665111.

Email: sales.heating@hamworthy-heating.com

Web: www.hamworthy-heating.com

**HAMWORTHY**  
heating products

# Broadstone R Series

## Power Flame Cast Iron Sectional Boilers

There are nine models in the Broadstone R series cast iron sectional boiler range with outputs from 100kW to 267kW.

All models are capable of firing class (D) 35 (SR1) oil or natural gas.

Designed to meet all current European legislation, the boilers are manufactured to the highest quality standards and are suitable for use on LTHW applications for heating and indirect hot water systems.

Each boiler heat exchanger is supplied fully assembled and pressure tested prior to

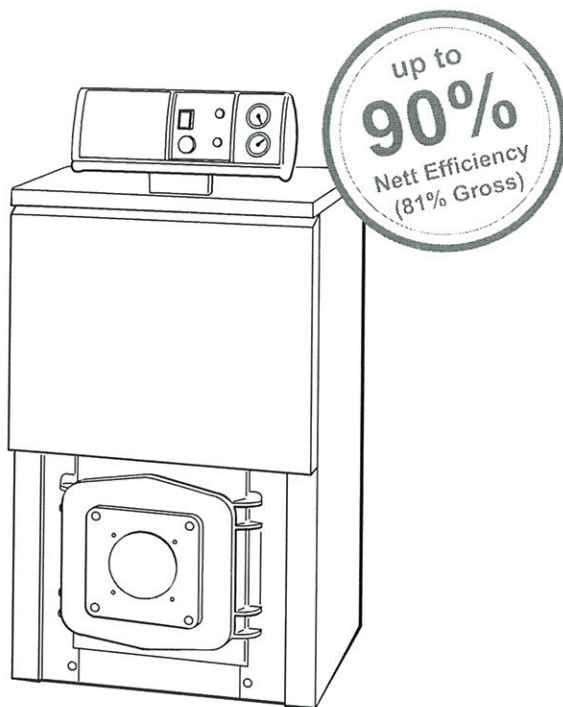
delivery. The burner, control panel, boiler casing and smoke hood are supplied separately for fitting on site.

The high quality cast iron sectional heat exchanger is suitable for a maximum working pressure of 5 bar and the front section features a hinged door arrangement to provide easy access to the combustion chamber.

- Flexibility in choice of fuels
- High efficiency, saves on fuel costs
- High level of operational reliability
- Tolerant of site conditions
- Long life expectancy

BENEFITS

The Broadstone range of boilers compliment the mid-range outputs of the Hamworthy power flame series (100kW to 260kW). Other models in the power flame cast iron series include Lilliput (40kW to 90kW) and Shaftesbury (280kW to 400kW).



| NATURAL GAS |                    |        |       |                      |                              |
|-------------|--------------------|--------|-------|----------------------|------------------------------|
| Model       | Number of Sections | Output | Input | Flue Gas Temperature | Fuel Consumption Natural Gas |
|             |                    | kW     | kW    | °C                   | m <sup>3</sup> /h            |
| 2R7         | 7                  | 100.6  | 113.2 | 184                  | 11.97                        |
| 2R8         | 8                  | 123.8  | 139.2 | 180                  | 14.72                        |
| 2R9         | 9                  | 147.1  | 164.9 | 176                  | 17.44                        |
| 2R10        | 10                 | 165.1  | 184.7 | 191                  | 19.53                        |
| 2R11        | 11                 | 179.7  | 200.5 | 187                  | 21.20                        |
| 2R12        | 12                 | 197.7  | 220.1 | 177                  | 23.27                        |
| 2R14        | 14                 | 230.2  | 255.8 | 168                  | 27.05                        |
| 2R15        | 15                 | 248.8  | 276.7 | 170                  | 29.26                        |

| OIL   |                    |        |       |                      |                             |
|-------|--------------------|--------|-------|----------------------|-----------------------------|
| Model | Number of Sections | Output | Input | Flue Gas Temperature | Fuel Consumption 35 sec oil |
|       |                    | kW     | kW    | °C                   | litres/h                    |
| 2R6   | 6                  | 100.6  | 113.2 | 173                  | 11.17                       |
| 2R7   | 7                  | 123.8  | 139.2 | 174                  | 13.90                       |
| 2R8   | 8                  | 147.1  | 164.9 | 163                  | 15.91                       |
| 2R9   | 9                  | 165.1  | 184.7 | 177                  | 17.61                       |
| 2R10  | 10                 | 179.7  | 200.5 | 189                  | 20.79                       |
| 2R11  | 11                 | 197.7  | 220.1 | 177                  | 21.66                       |
| 2R12  | 12                 | 213.4  | 237.0 | 162                  | 24.28                       |
| 2R14  | 14                 | 248.8  | 276.7 | 180                  | TBA                         |
| 2R15  | 15                 | 266.9  | 296.5 | 183                  | TBA                         |

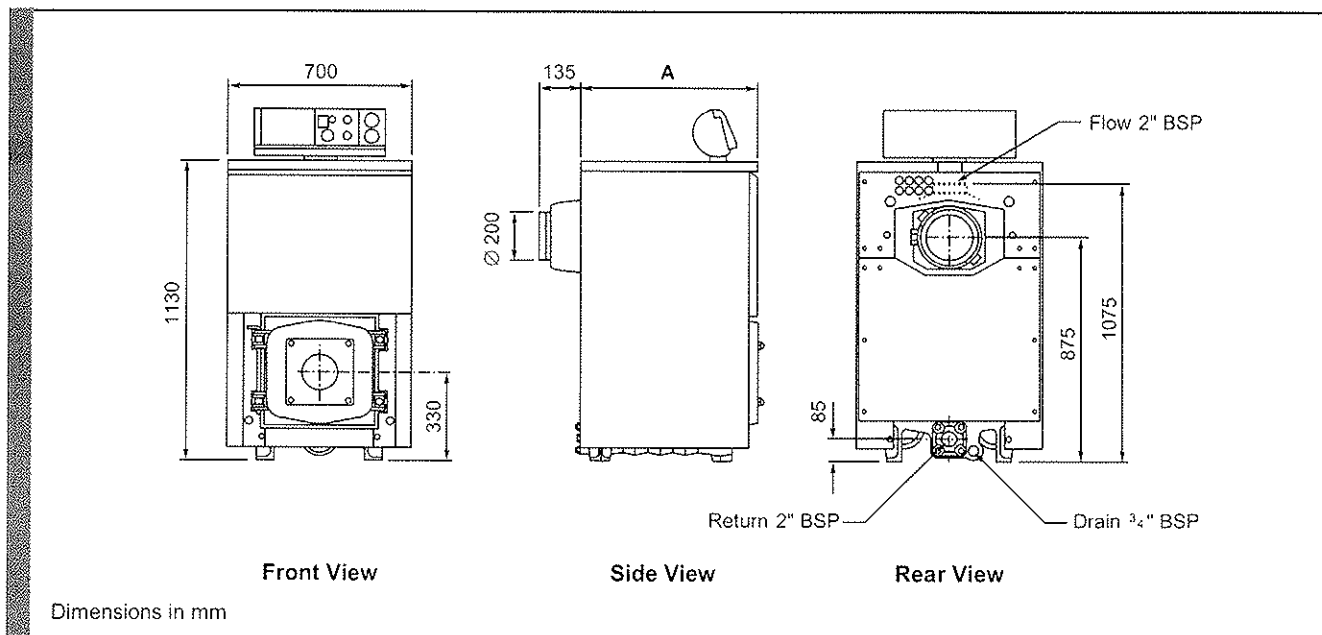
*NETT OUT PUTS  
GROSS WITH NO LOSS*



**HAMWORTHY**  
heating products

# Broadstone R Series

## Dimensional Data



It is recommended that all boilers are positioned on a 50mm non-combustible base as a minimum.

Gas, oil and electrical connections are dependant on the type of burner specified.

Electrical supply: boiler control panel 230v, 50Hz, single phase.

### Specifications

| Model | Number of Sections | Water Content | Minimum Flow @ 20°C t | Boiler Resistance @ 20°C t | Flue Gas Volume   | Weight | Dimension A |
|-------|--------------------|---------------|-----------------------|----------------------------|-------------------|--------|-------------|
|       |                    | litres        | litres/h              | mm wg                      | m <sup>3</sup> /h | kg     | mm          |
| 2R6   | 6                  | 92.0          | 4284                  | 120                        | 181               | 487    | 735         |
| 2R7   | 7                  | 107.0         | 5292                  | 160                        | 217               | 541    | 835         |
| 2R8   | 8                  | 122.0         | 6300                  | 250                        | 250               | 608    | 935         |
| 2R9   | 9                  | 136.0         | 7056                  | 270                        | 285               | 684    | 1035        |
| 2R10  | 10                 | 151.0         | 7668                  | 300                        | 320               | 758    | 1135        |
| 2R11  | 11                 | 165.0         | 8460                  | 320                        | 353               | 815    | 1235        |
| 2R12  | 12                 | 180.0         | 9144                  | 350                        | 379               | 871    | 1335        |
| 2R14  | 14                 | 209.0         | 10656                 | 370                        | TBA               | 987    | 1535        |
| 2R15  | 15                 | 223.0         | 11556                 | 410                        | TBA               | 1045   | 1635        |

### Hamworthy Heating Limited

Fleets Corner, Poole, Dorset BH17 0HH. England.

Tel: 01202 662500. Fax: 01202 665111.

Email: sales.heating@hamworthy-heating.com

Web: www.hamworthy-heating.com

