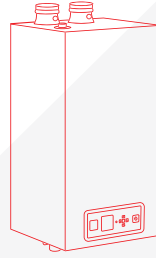


PRESTIGE



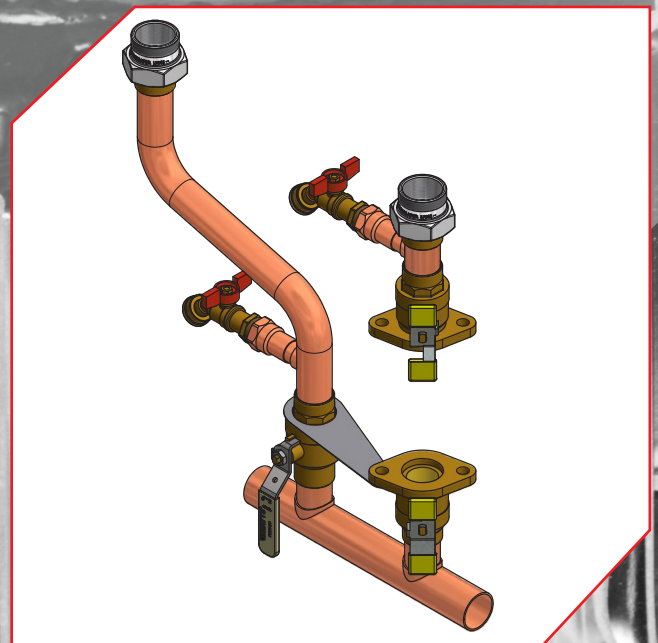
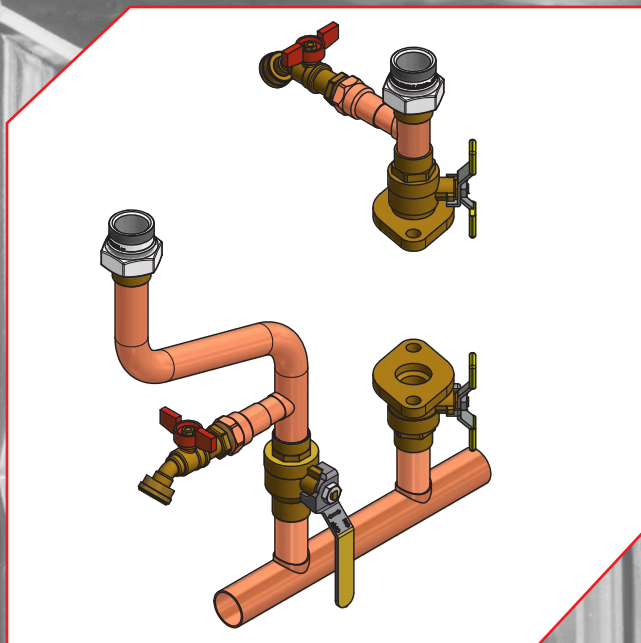
TIMESAVER MANIFOLD

The Prestige Timesaver Primary-Secondary Manifold not only simplifies the installation, saving you time and money, but also ensures the best possible installation for peak performance and efficiency.

- Accepts most standard pumps such as Taco "00", Grundfos UPS, Wilo Star, etc.
- Provides properly sized NPT boiler connections and sweat system connections
- Ball valves enable boiler and/or pump to be isolated from the heating system for maintenance

PA 80/110

PA 155/175/250



PARKIT 108

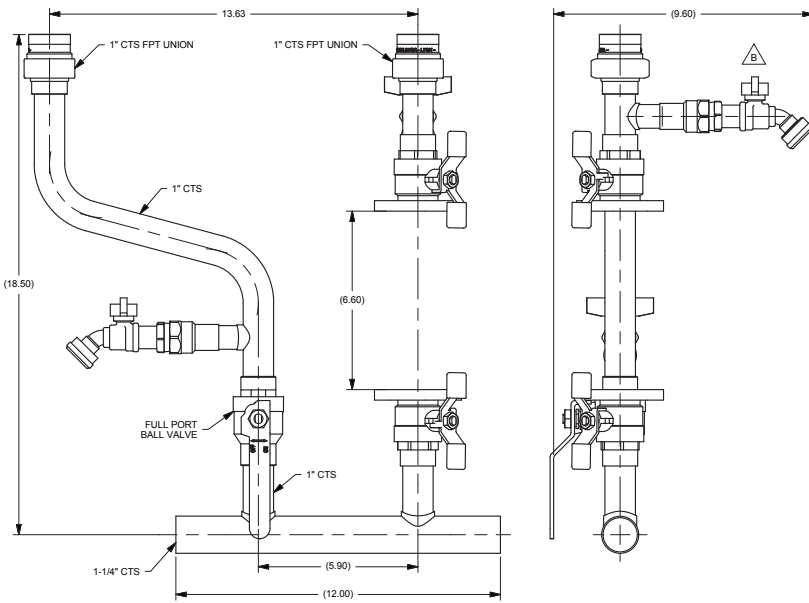
- 1.25" Sweat system connections
- Boiler & pump isolation
- Hose bib connections for quick purging & draining

PARKIT 109

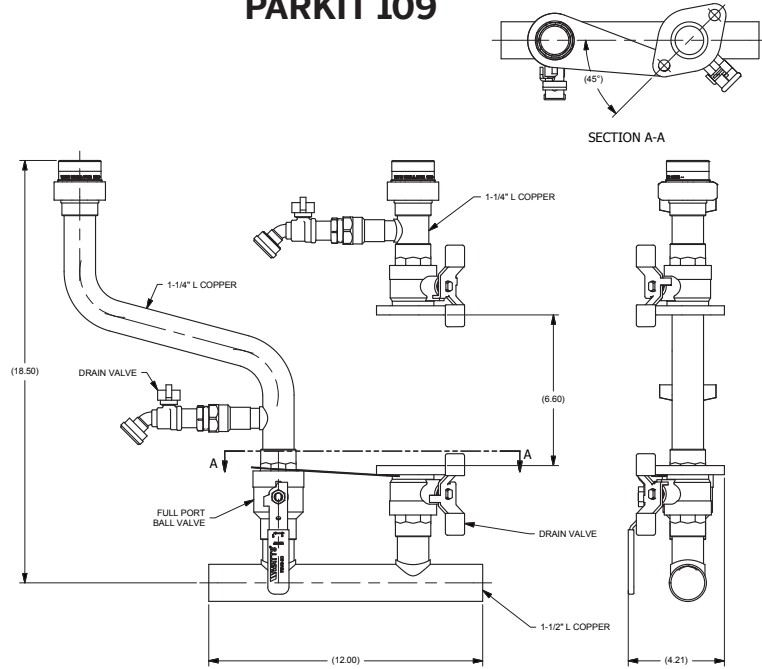
- 1.50" Sweat system connections
- Boiler & pump isolation
- Hose bib connections for quick purging & draining

SPECIFICATIONS & FEATURES

PARKIT 108



PARKIT 109



PUMP SPECIFICATION TABLE

Manufacturer	ΔT	PA80	PA110	PA155	PA175	PA250
	20°	UPS 15-58 FC Speed 2	UPS 15-58 FC Speed 3	UPS 15-58 FC Speed 3	UPS 26-99 FC Speed 1	UPS 26-99 FC Speed 2
Grundfos	30°	UPS 15-58 FC Speed 1	UPS 15-58 FC Speed 2	UPS 15-58 FC Speed 2	UPS 15-58 FC Speed 2	UPS 15-58 FC Speed 3
	40°	UPS 15-58 FC Speed 1	UPS 15-58 FC Speed 1	UPS 15-58 FC Speed 1	UPS 15-58 FC Speed 1	UPS 15-58 FC Speed 2
	20°	005	0010	005	007	0010
Taco	30°	005	005	005	005	007
	40°	005	005	005	005	005
	20°	Star S 21 RFC Speed 2	Star S 21 RFC Speed 3	Star S 21 RFC Speed 3	Star S 21 RFC Speed 3	Star S 33 FC Speed 2
Wilco	30°	Star S 21 RFC Speed 1	Star S 21 RFC Speed 2	Star S 21 RFC Speed 2	Star S 21 RFC Speed 2	Star S 21 RFC Speed 3
	40°	Star S 21 RFC Speed 1	Star S 21 RFC Speed 1	Star S 21 RFC Speed 1	Star S 21 RFC Speed 2	Star S 21 RFC Speed 3



Contact Us:

T 1-856-228-8881
E info.na@acv.com
W triangletube.com

Like & Follow Us



Triangle Tube reserves the right to make product changes or improvements at any time without notice.