

Prestige Burner Head Replacement



Kit Part Number	Description	Model
PARKIT54	Burner Head Replacement	Prestige 250
PARKIT74	Burner Head Replacement	Prestige 299/399

Each Kit Includes:

- Burner Head
- Burner Head Gasket
- Burner Head Screws

Recommended Tools:

- Adjustable Wrenches
- Phillips Head Screwdriver
- Torx Screwdrivers



Indicates a potentially hazardous situation which, if ignored, can result in serious injury or substantial property damage.



Indicates special instructions on installation, operation or maintenance, which are important to equipment but not related to personal injury hazards.



For your safety, turn off electrical power supply at service panel and allow unit to cool before proceeding to avoid possible electrical shock and scald hazard. Failure to do so can cause severe personal injury or death.



Failure to follow instructions below can result in severe personal injury or damage if ignored.

- Instructions are for a qualified installer/ service technician only.
- Read all instructions before proceeding.
- Follow instructions in proper order.

Prestige Burner Head Replacement



1. Preliminary Instructions:

1. Verify that the Burner replacement kit is correct for the model of boiler. See table on page 1.
2. Carefully open and unpack the PARTS BOX from its shipping carton.
3. Carefully remove and check for any damage.

NOTICE

Do not proceed with installation and contact Triangle Tube right away if the burner is damaged in any way.

4. Turn off the electrical power supply to the boiler.
5. Close the manual gas shut off valve to the unit.

2. Removal of the Burner Head

1. Remove front jacket panel on the top of the boiler
2. Disconnect all the wires from the gas valve, blower and igniter.

NOTICE

Mark the proper location of all wires before removing them.

3. Disconnect the gas supply piping to the venturi. Unscrew the nut/screws on the gas piping at the bottom of the gas valve. Do not discard the gasket as it will be reused.
4. Unbolt the nuts securing the burner mounting plate to the heat exchanger. Do NOT discard the heat exchanger nuts.
5. Remove the blower/venturi/gas valve assembly from the boiler by lifting the burner mounting plate straight up until the burner and igniter clear the insulation.

NOTICE

Ensure the insulation and igniter are not damaged when removing from the heat exchanger. Contact Triangle Tube right away if they are damaged.



Fig. 1: Prestige 250

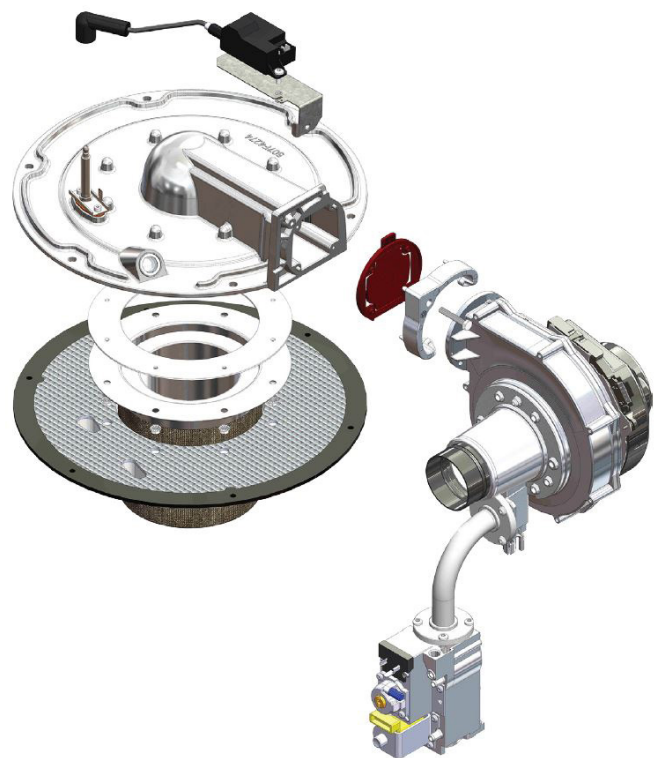


Fig. 2: Prestige 299-399

Prestige Burner Head Replacement



NOTICE

Leave the Combustion Chamber Insulation installed in the heat exchanger.

6. Unscrew and remove the old Burner Head from the bottom of the burner mounting plate. Discard the old burner gasket.

3. Installation of the new Burner Head

1. Screw the new burner head with the new gasket to the bottom of the burner mounting plate to a torque of 27 - 31 in-lbs.

NOTICE

For the Prestige 250, the burner head only fits with the flat portion of the burner head lip towards the igniter.

NOTICE

For the reassembly process do not use adhesives on ANY gasket surface.

WARNING

Ensure the gasket is in place before reassembly. Failure to do so can result in death, serious injury or substantial property damage.

2. Carefully re-insert the blower/venturi/gas valve assembly straight down into the heat exchanger body. Align the sight glass and igniter with the combustion chamber insulation cutouts to avoid damage.

NOTICE

Ensure to not damage the igniter, burner head, or insulation during re-installation.

3. Hand tighten the Burner Plate Mounting Nuts to hold the burner assembly in place. Then using a wrench tighten each nut to 44-53 in-lbs.

WARNING

Do not over tighten. Pinching or tearing of the burner plate gasket may occur causing the possible escape of combustion gases from the combustion chamber resulting in death, serious injury or substantial property damage.

4. Re-connect the gas supply piping to the gas valve. Ensure the pipe gasket is properly seated before tightening the nut.

WARNING

Ensure the gasket is in place before reassembly. Failure to do so can result in death, serious injury or substantial property damage.

5. Re-attach all the wires to the gas valve, blower and igniter.
6. Turn on gas supply to the inlet of the unit at the main manual shutoff valve to the unit. Check and test all gas connections for leaks. Repair leaks if found.

WARNING

Do not check for gas leaks with an open flame. Use a bubble test. Failure to check for gas leaks can cause severe personal injury, death or substantial property damage.

7. Turn power to the unit "ON". The unit is now ready to be placed back into service.