

THUMA

Let's get together.

Essential Bed + Upholstered Headboard

www.thuma.co

Take care during assembly. Do not dispose of any packaging or contents of the shipping carton until assembly is complete. Avoid balancing unsupported pieces and do not bend over near unsecured pieces. Keep children out of the way during assembly.

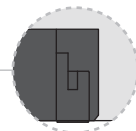


Scan to access the assembly instructions for upgrading to the **Upholstered Headboard**.

Pieces

Headboard

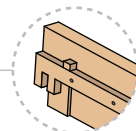
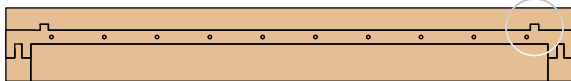
x1



"U" joint

Long Rail

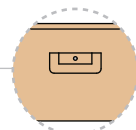
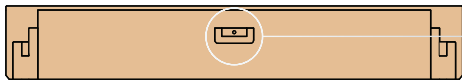
x2



Slat stop

Short Rail

x1



Horseshoe

Center Rail

x1



Center Leg

x1



Long Screw

x2



Slats

x1



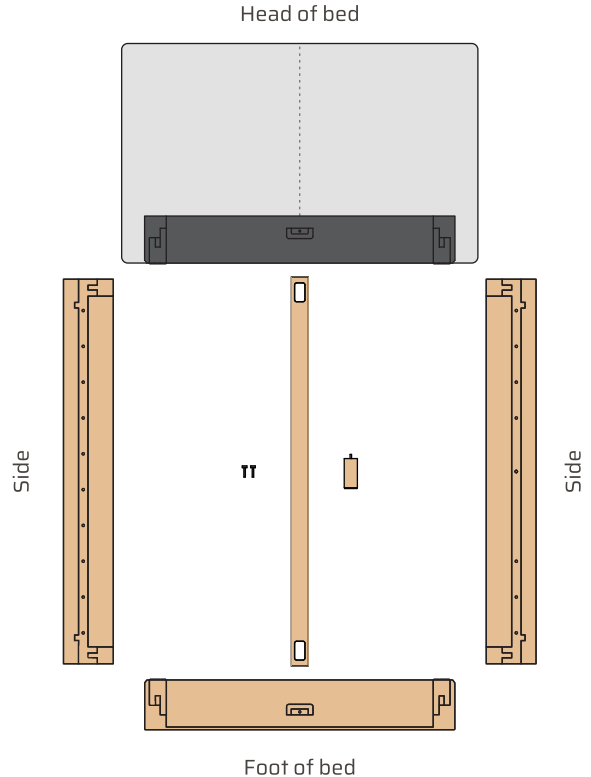
Step 1

Lay out pieces at desired location.

Arrange **long rails** (sides) with “U” joints facing in, **headboard** and **short rails** (head and foot) with “U” joints facing out.

Step into the center of the frame.

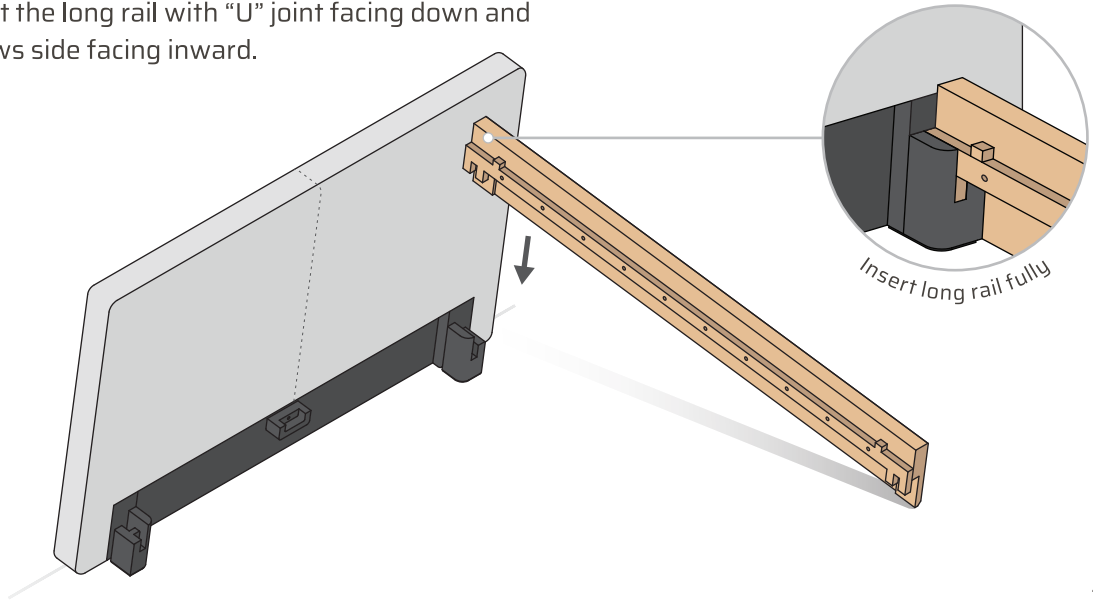
Keep slats on the sideline for now.



Step 2

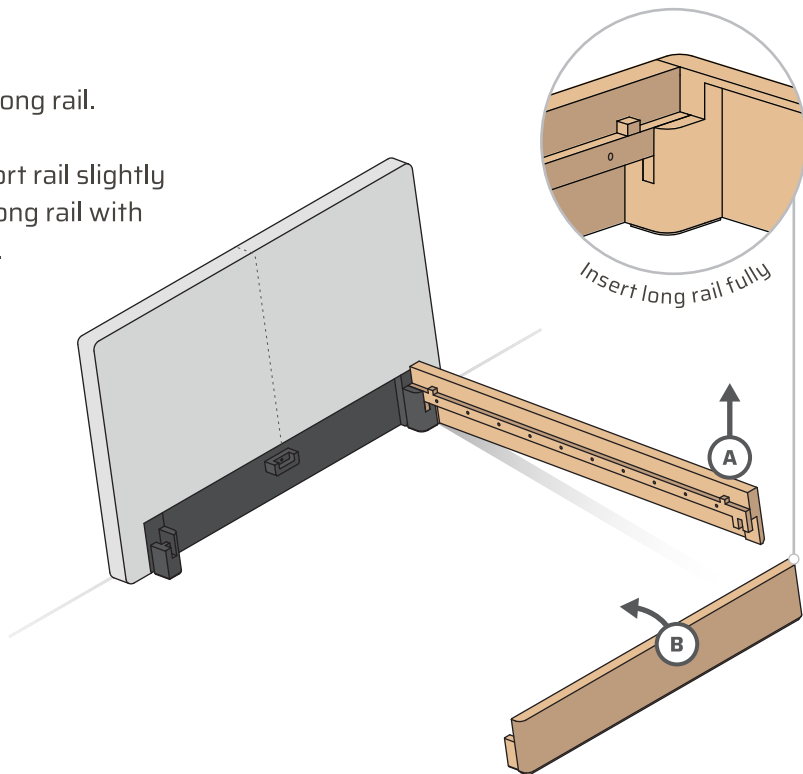
Stand up headboard with horseshoe facing inward.

While holding the headboard slightly tilted inward, insert the long rail with “U” joint facing down and screws side facing inward.



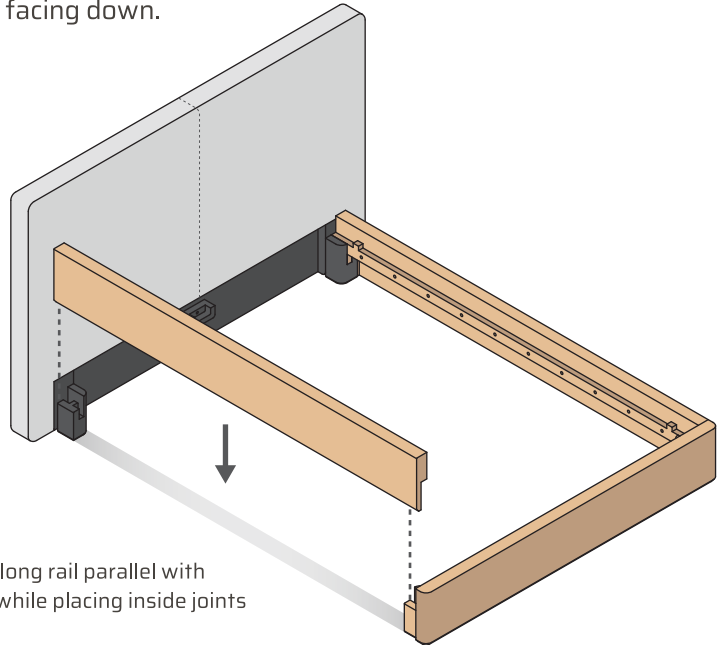
Step 3

- A. Lift the other end of long rail.
- B. While holding the short rail slightly tilted inward, insert long rail with "U" joint facing down.



Step 4

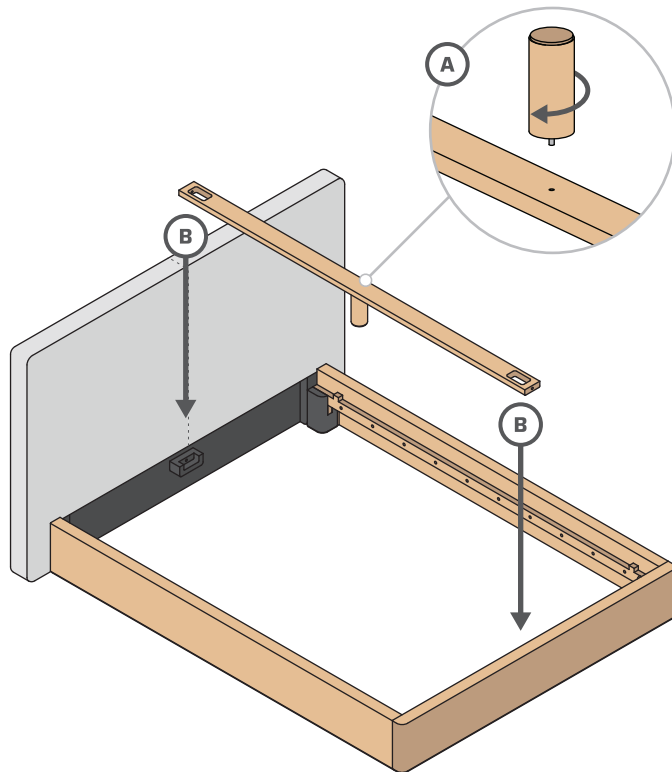
Place remaining long rail into headboard joinery and short rail joinery, with "U" joints facing down. Press down fully.



Keep long rail parallel with floor while placing inside joints

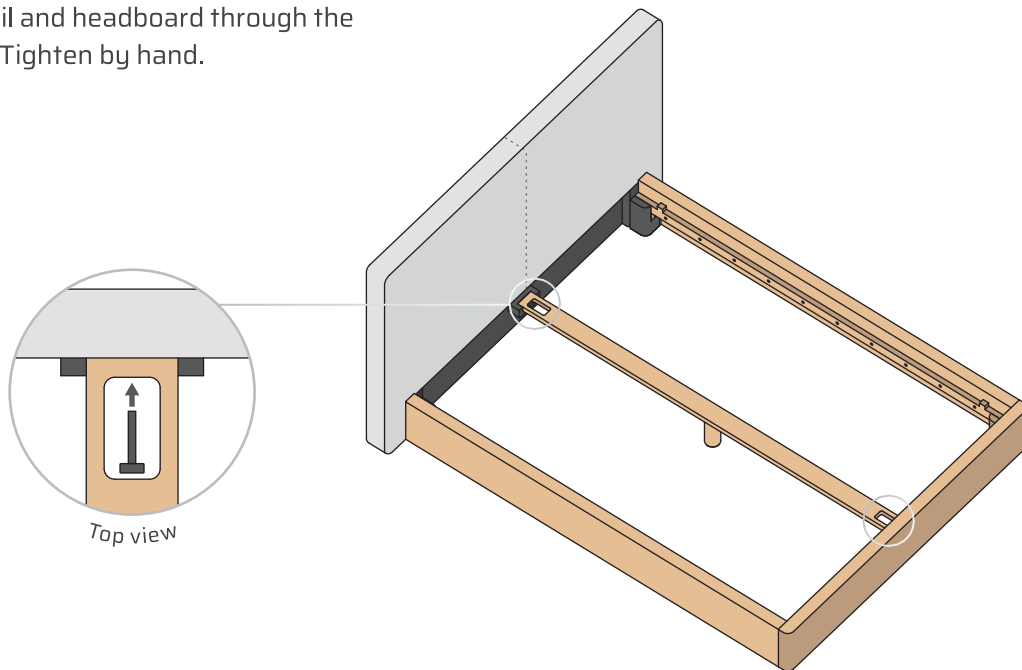
Step 5

- A. Screw **center leg** into **center rail**.
The center leg doubles as a leveler.
Adjust up and down, as needed.
- B. Place one side of center rail fully into one of the horseshoes on the inside of the frame. Press down fully, then repeat on the other side.



Step 6

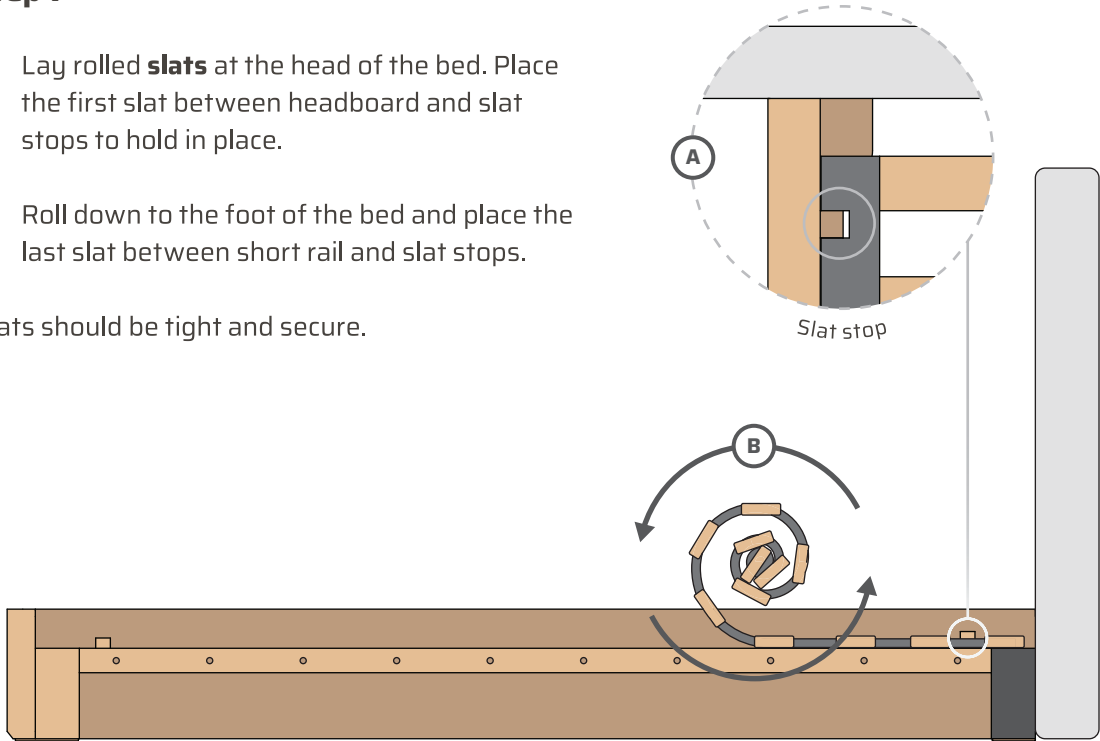
Use two **long screws** to secure center rail to short rail and headboard through the openings. Tighten by hand.



Step 7

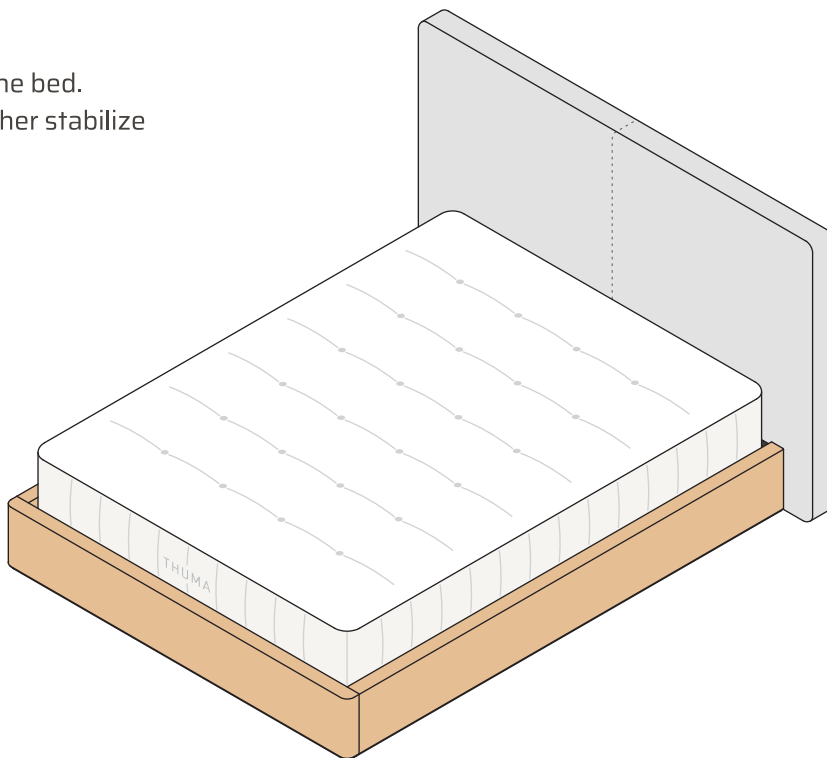
- A. Lay rolled **slats** at the head of the bed. Place the first slat between headboard and slat stops to hold in place.
- B. Roll down to the foot of the bed and place the last slat between short rail and slat stops.

Slats should be tight and secure.



Step 8

Place mattress on top of the bed.
The added weight will further stabilize
the frame.



Enjoy.

Light a candle, play some jams, pour a refreshment.
Share moments of oasis @thuma.co

For help and more to love, scan the QR code below.



