

- NEW ENHANCEMENTS** ULTRA-HEAVY DUTY ACTUATING MECHANISM
- COMPATIBILITY** 8500 & 9700 SERIES PUSH PAD EXIT DEVICE
- FUNCTION** NON-HANDED OUTSIDE THUMBPIECE TRIMS
- MATERIAL** HEAVY DUTY CAST ZINC ALLOY FOR HANDLE AND PLATE
- FINISHES** MATTE BLACK (19) AND ALUMINUM (28)
- MOUNTING PEG** 5-1/2" C/C DISTANCE
- ESCUTCHEON PLATE SIZE** 3" x 12-5/16" x 3/32" (76 mm x 312.5 mm x 2.5 mm)
- PROJECTION** 25/32" (45 mm) MAXIMUM
- CYLINDER** RIM CYLINDER WITH 6 PIN SCHLAGE 'C' KEYWAY FOR STOREROOM FUNCTION  
MORTISE CYLINDER (1-1/8" DEPTH) WITH 6 PIN SCHLAGE 'C' KEYWAY FOR ENTRY FUNCTION
- TRIMS/FUNCTIONS** ENTRY\*, STOREROOM, PASSAGE AND DUMMY

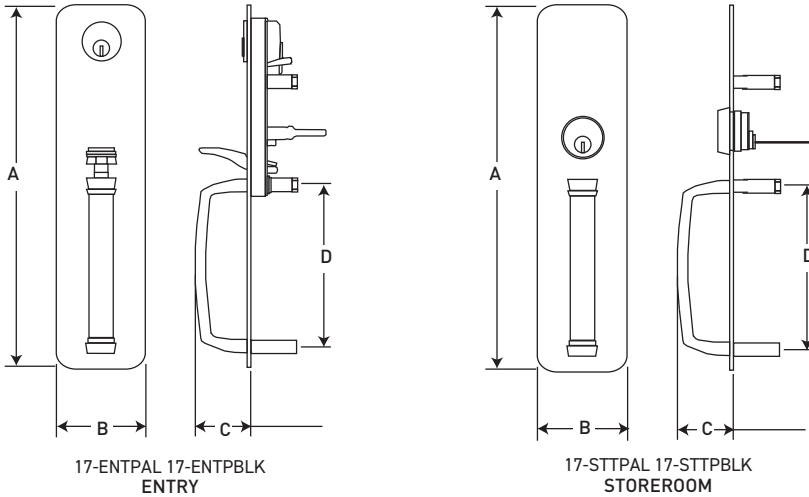


17-ENTPAL  
ENTRY

17-STTPAL  
STOREROOM

17-PSTPAL  
PASSAGE

17-DUPAL  
DUMMY



17-ENTPAL 17-ENTPBLK  
ENTRY

17-STTPAL 17-STTPBLK  
STOREROOM

- A = 12-5/16" (312.5mm)
- B = 3" (76mm)
- C = 1-7/8" (47.5mm)
- D = 5-1/2" (139.5mm)

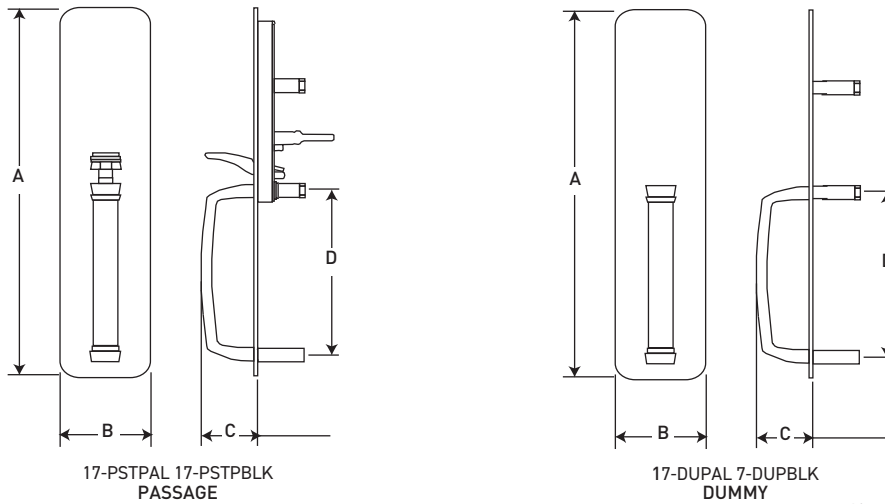


**5 YEAR  
MECHANICAL WARRANTY**



**FULL KEYING SERVICES  
AVAILABLE**

6-pin SC4 keyway, packaged  
keyed different



17-PSTPAL 17-PSTPBLK  
PASSAGE

17-DUPAL 7-DUPBLK  
DUMMY

**THUMBPIECE OUTSIDE TRIMS**

	19 MATTE BLACK	28 ALUMINUM	CASE QTY.
ENTRY FUNCTION* - SCHLAGE 'C' KEYWAY	17-ENTPBLK	17-ENTPAL	10
STOREROOM FUNCTION	17-STTPBLK	17-STTPAL	10
PASSAGE FUNCTION	17-PSTPBLK	17-PSTPAL	10
DUMMY FUNCTION	17-DUPBLK	17-DUPAL	10

