




## FEATURES

- One-piece design
- Brass construction
- Concealed screw mount




## INSTALLATION

- Mounting hardware kit (plates, nylon anchors, and steel Phillips head screws) included
- Mounting plates: 1-11/16" x 1-3/16" (43 mm x 30 mm)

## STOCKED FINISHES

-  Polished Chrome (PC)

## SPECIAL ORDER FINISHES

-  Matte Black (BLK)
-  Brushed Nickel (BN)
-  Polished Nickel (PN)



ROBE HOOK

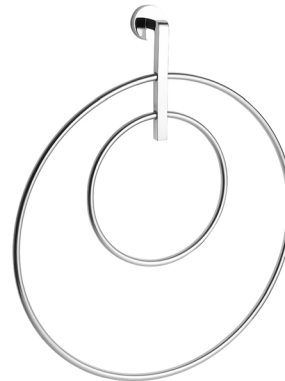
TOWEL BAR



PAPER HOLDER



TOWEL RING



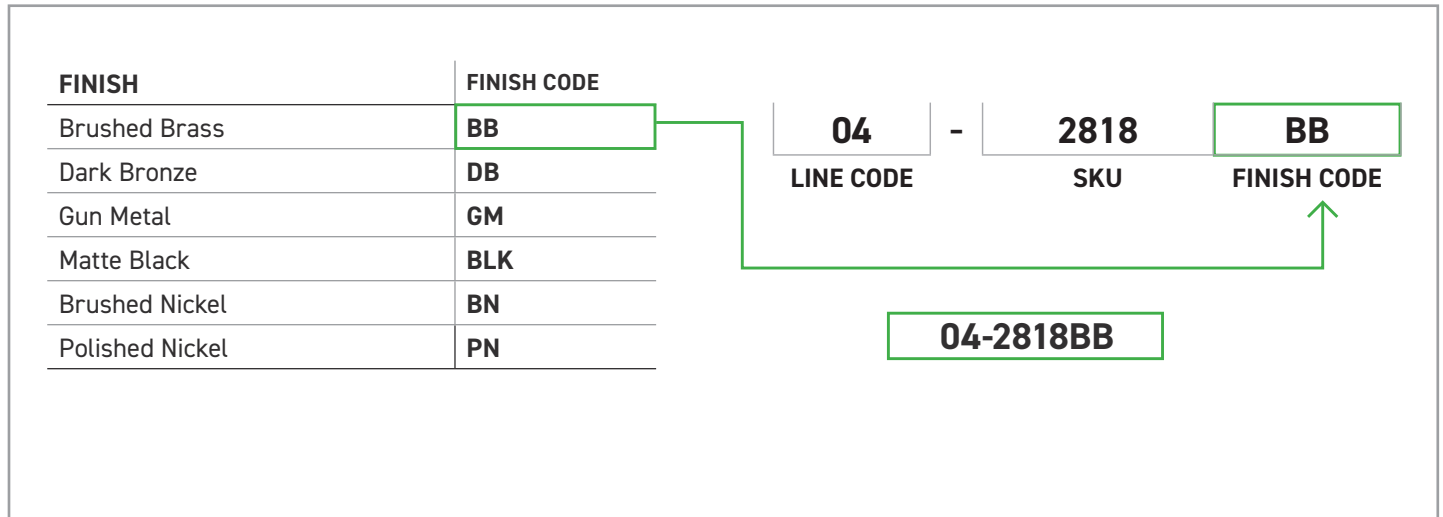
DOUBLE TOWEL RING

BOX PACK	POLISHED CHROME	MATERIAL
18" Towel Bar	04-33018	Brass
24" Towel Bar	04-33024	Brass
Robe Hook	04-33001	Brass
Paper Holder	04-33048	Brass
Towel Ring	04-33004	Brass/Stainless Steel
Double Towel Ring	04-33007D	Brass/Stainless Steel

## HOW TO SPECIFY SPECIAL ORDER FINISHES

Please contact your Taymor Sales Representative for pricing, samples, and minimum order quantities.

To determine the item code for a special order finish product, simply add the finish code at the end of the product SKU as shown below:



Example of the item codes for the Astral Bath Collection's Towel Bars in Brushed Brass:

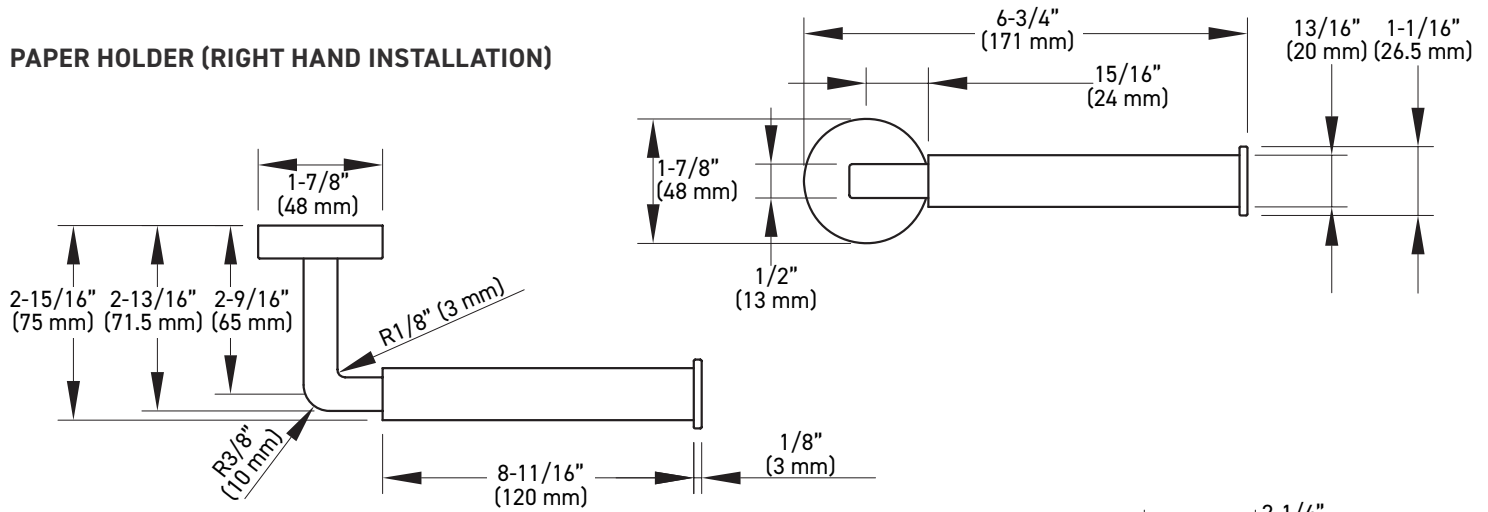
FUNCTIONS	LINE CODE	SKU	FINISH CODE	ITEM CODE
10" Towel Bar	04	2810	BB	<b>04-2810BB</b>
18" Towel Bar	04	2818	BB	<b>04-2818BB</b>
24" Towel Bar	04	2824	BB	<b>04-2824BB</b>
30" Towel Bar	04	2830	BB	<b>04-2830BB</b>

### ADDITIONAL DETAILS

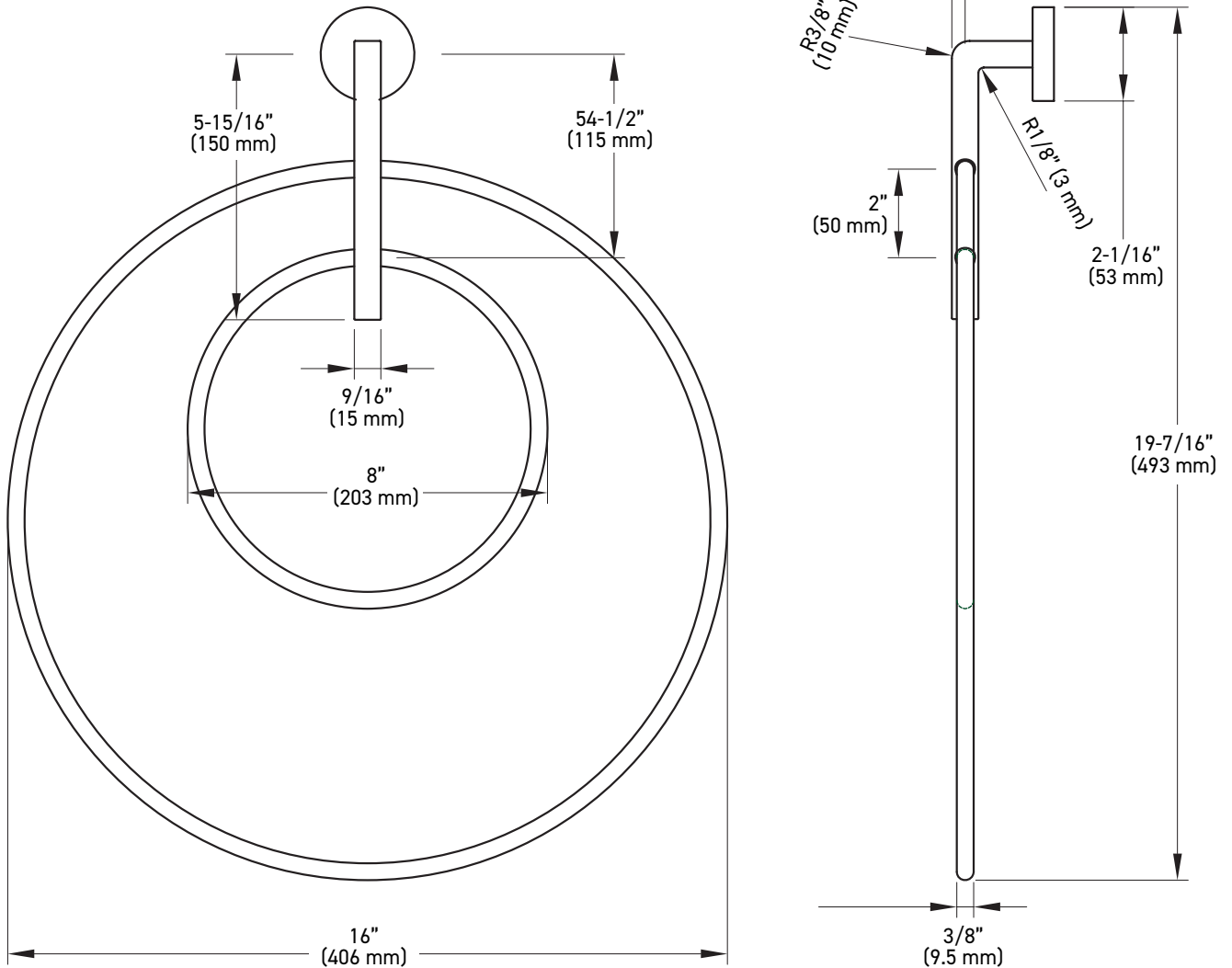
- Special order products are not eligible for return or exchange
- Lead times may vary
- Minimum order quantities apply



### PAPER HOLDER (RIGHT HAND INSTALLATION)



### DOUBLE TOWEL RING



MEASUREMENTS SUBJECT TO A 3% VARIANCE. MEASUREMENTS ARE FOR REFERENCE ONLY. TAYMOR RESERVES THE RIGHT TO CHANGE PRODUCT SPECS WITHOUT NOTICE.