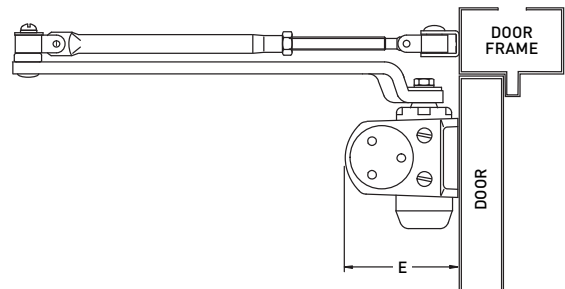
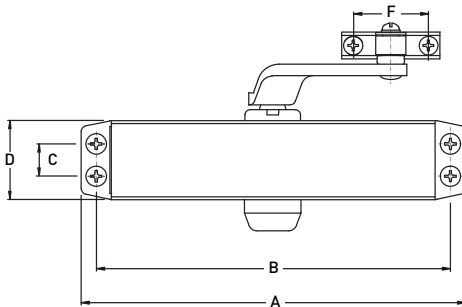


# DOOR CLOSERS

**690 SERIES**  
GRADE 3 - BUILDER PACK

**Taymor**



	A	B	C	D	E	F
14-693AL	9-1/16" (230 mm)	8-1/8" (206 mm)	3/4" (19 mm)	1-3/4" (44.5 mm)	2-7/8" (72 mm)	1-17/32" (39 mm)
14-694AL	9-3/4" (248 mm)	9-1/16" (230 mm)	3/4" (19 mm)	1-3/4" (44.5 mm)	2-7/8" (72 mm)	1-17/32" (39 mm)
14-695AL	9-3/4" (248 mm)	9-1/16" (230 mm)	3/4" (19 mm)	1-3/4" (44.5 mm)	2-7/8" (72 mm)	1-17/32" (39 mm)

## FEATURES

- BHMA/ANSI 156.4 GRADE 3
- UL AND c-UL LISTED COMPLIANT UL10C FOR POSITIVE PRESSURE
- HIGH STRENGTH ALUMINUM ALLOY BODY
- NON-HANDED
- THREE INDEPENDENT ADJUSTABLE VALVES CONTROL BACKCHECK, SWEEPING AND LATCHING SPEED
- UNIVERSAL MOUNTING (REGULAR AND PARALLEL BRACKETS INCLUDED)
- SUPPLIED WITH BOTH MACHINE AND WOOD SCREWS
- STABLE HYDRAULIC FLUID FOR ANY CLIMATE OPERATION & CONSTANT LUBRICATION FROM -30°C TO +40°C
- 5 YEAR MECHANICAL AND 1 YEAR FINISH WARRANTY

SIZE	MAXIMUM RECOMMENDED DOOR SIZE & WEIGHT	ALUMINUM	CASE PACK
3	38" x 84" - (95 cm x 210 cm) 100-187 lbs / (45-85 kg)	14-693AL	6
4	42" x 96" - (105 cm x 240 cm) 144-220 lbs / (65-100 kg)	14-694AL	6
5	42" x 96" - (105 cm x 240 cm) 187-265 lbs / (85-120 kg)	14-695AL	6