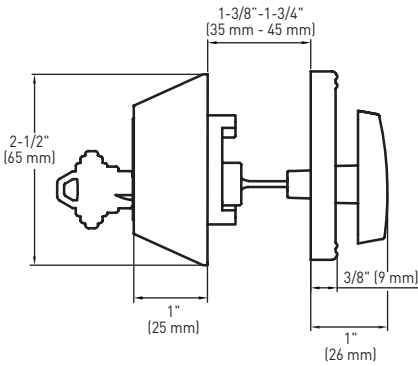


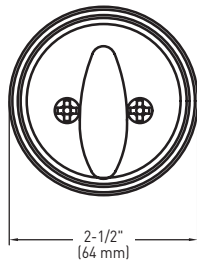
### FEATURES

- ANSI/BHMA A 156.2 GRADE 2
- SOLID BRASS CYLINDER
- DOOR PREP: CROSS BORE 2-1/8" OR 1-1/2"
- 2-IN-1 ADJUSTABLE BACKSET LATCH  
2-3/8" TO 2-3/4" (61 mm x 70 mm) FOR A. & C.
- FIXED BACKSET LATCH 2-3/4" (61 mm) FOR B.
- 1" x 2-1/4" (25 mm x 57 mm) SQUARE MORTISE LATCH
- 5 YEAR MECHANICAL WARRANTY

**A. SINGLE CYLINDER DEADBOLT**



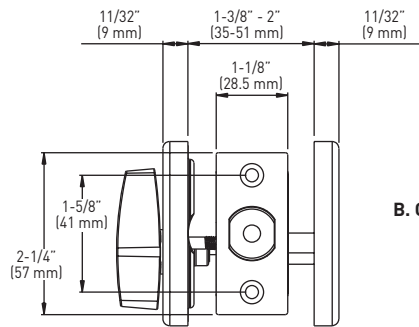
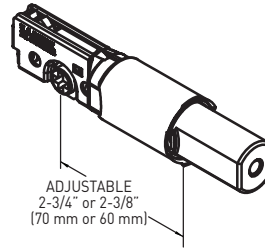
**ROUND ROSE**



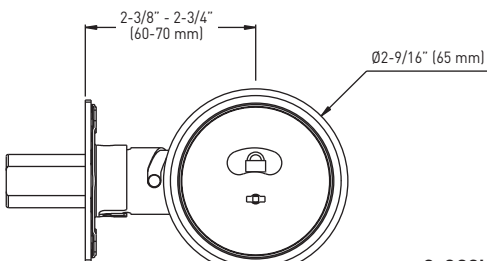
**C. OCCUPANCY INDICATOR DEADBOLT SHOWING RED "LOCKED" & GREEN "UNLOCKED" ICONS**



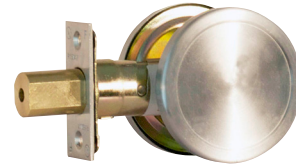
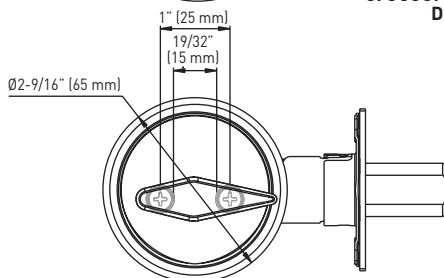
**A. SINGLE CYLINDER DEADBOLT 2-IN-1 LATCH**



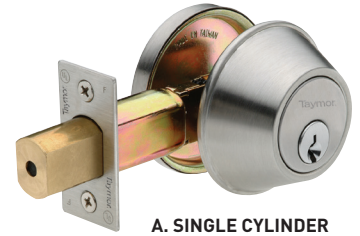
**B. COMMUNICATING DEADBOLT\***



**C. OCCUPANCY INDICATOR DEADBOLT**



**B. COMMUNICATING DEADBOLT\***



**A. SINGLE CYLINDER DEADBOLT**



LISTED

GRADE 2

ANSI GRADE 2



**FULL KEYING SERVICES AVAILABLE**

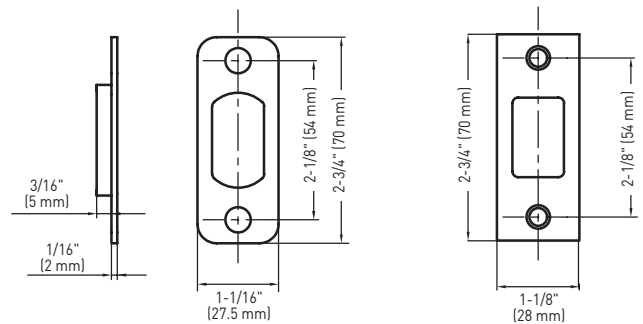
6-pin SC4 keyway, packaged keyed different



**FIRE RATED**

Meets c-UL and UL 3-hour fire rating standard

**A. SINGLE CYLINDER DEADBOLT RADIUS & SQUARE STRIKES**



|   | 26D SATIN CHROME | 32D SATIN STAINLESS STEEL | CASE PACK |
|---|------------------|---------------------------|-----------|
| COMMERCIAL GRADE 2 DEADBOLT                               |                  |                           |           |
| A. SINGLE CYLINDER DEADBOLT                               | 32-F470          | 32-F450                   | 20        |
| B. SINGLE SIDED COMMUNICATING DEADBOLT *NOT UL/FIRE RATED | 32-F218          | -                         | 20        |
| C. OCCUPANCY INDICATOR DEADBOLT                           | 32-F238          | 32-F238SSS                | 20        |

