

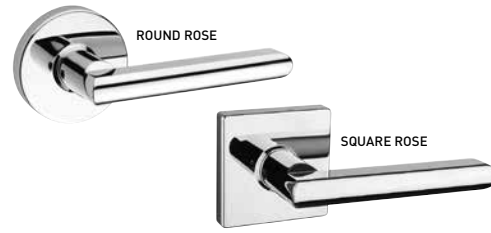
Taymor | PRODUCT SPECIFICATIONS

THE PREMIER LINE

VEGA LEVERSET

SPECIFICATIONS

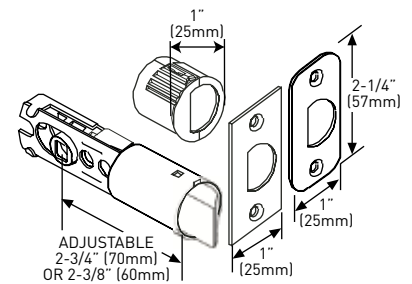
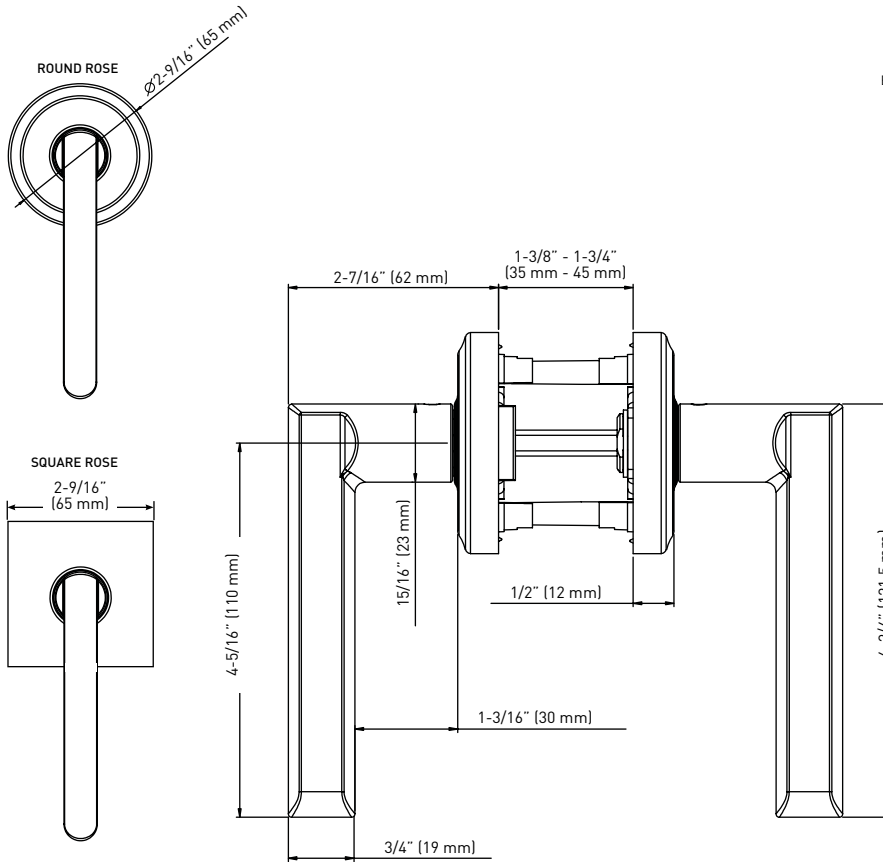
- UNIVERSAL 6-IN-1 LATCH: DRIVE IN, SQUARE MORTISE AND RADIUS CORNER WITH ADJUSTABLE BACKSET: 2-3/8" (60 mm) - 2-3/4" (70 mm)
- STANDARD BORE HOLES: 2-1/8" (54 mm)
- FITS STANDARD DOOR THICKNESS: 1-3/8" (35 mm) - 1-3/4" (45 mm)
- FULL LIP RADIUS CORNER STRIKE WITH ADJUSTABLE TAB STANDARD: 1-3/4" x 2-1/4" (45 mm x 57 mm)



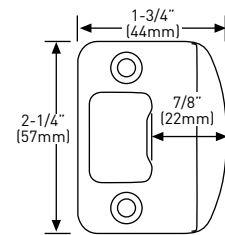
GRADE 3
ANSI GRADE 3



LIMITED LIFETIME MECHANICAL & FINISH WARRANTY



6-IN-1 PRIVACY/PASSAGE LATCH



FULL LIP RADIUS STRIKE

MEASUREMENTS SUBJECT TO A 3% VARIANCE

MEASUREMENTS ARE FOR REFERENCE ONLY. TAYMOR RESERVES THE RIGHT TO CHANGE THE PRODUCT SPECS WITHOUT NOTICE. FOR PRODUCT WARRANTY, PLEASE VISIT TAYMOR WEBSITE FOR DETAILS

VEGA - ROUND ROSE

BUILDER PACK

	PRIVACY	PASSAGE	INSIDE TRIM	DUMMY
SATIN NICKEL 15	30-D006424SN	30-D006434SN	30-HL0064SN	30-644SN
MATTE BLACK 19	30-D006424BLK	30-D006434BLK	30-HL0064BLK	30-644BLK
POLISHED CHROME 26	30-D006424PC	30-D006434PC	30-HL0064PC	30-644PC
SATIN CHROME 26D	30-D006424SC	30-D006434SC	30-HL0064SC	30-644SC

CASE QTY 20

VEGA - SQUARE ROSE

BUILDER PACK

	PRIVACY	PASSAGE		DUMMY
SATIN NICKEL 15	30-D006724SN	30-D006734SN	-	30-674SN
MATTE BLACK 19	30-D006724BLK	30-D006734BLK	-	30-674BLK
POLISHED CHROME 26	30-D006724PC	30-D006734PC	-	30-674PC
SATIN CHROME 26D	30-D006724SC	30-D006734SC	-	30-674SC

CASE QTY 20

