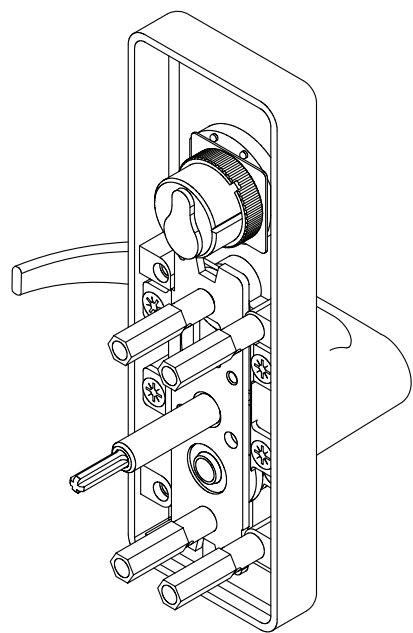
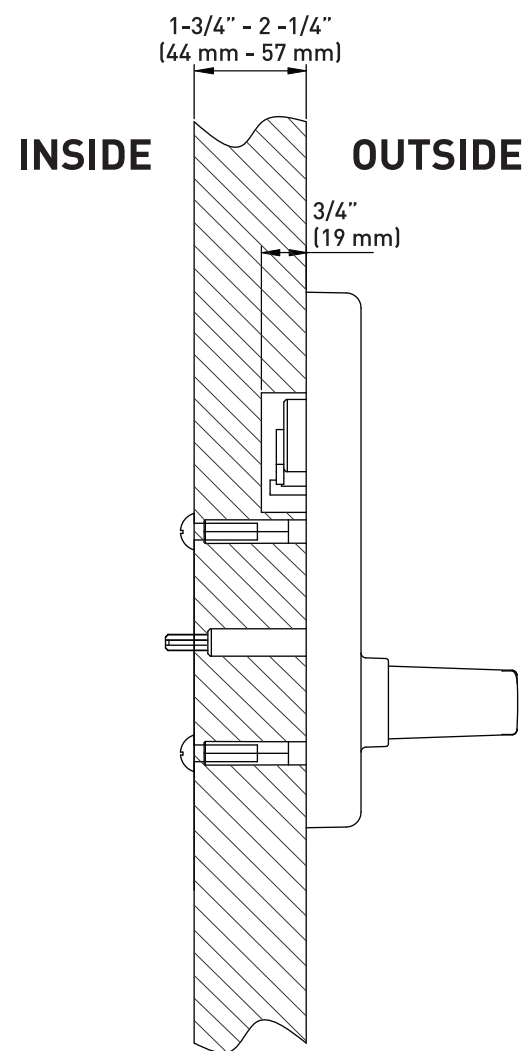


**TEMPLATE FOR RIGHT HANDED ESCUTCHEON LEVER TRIM**

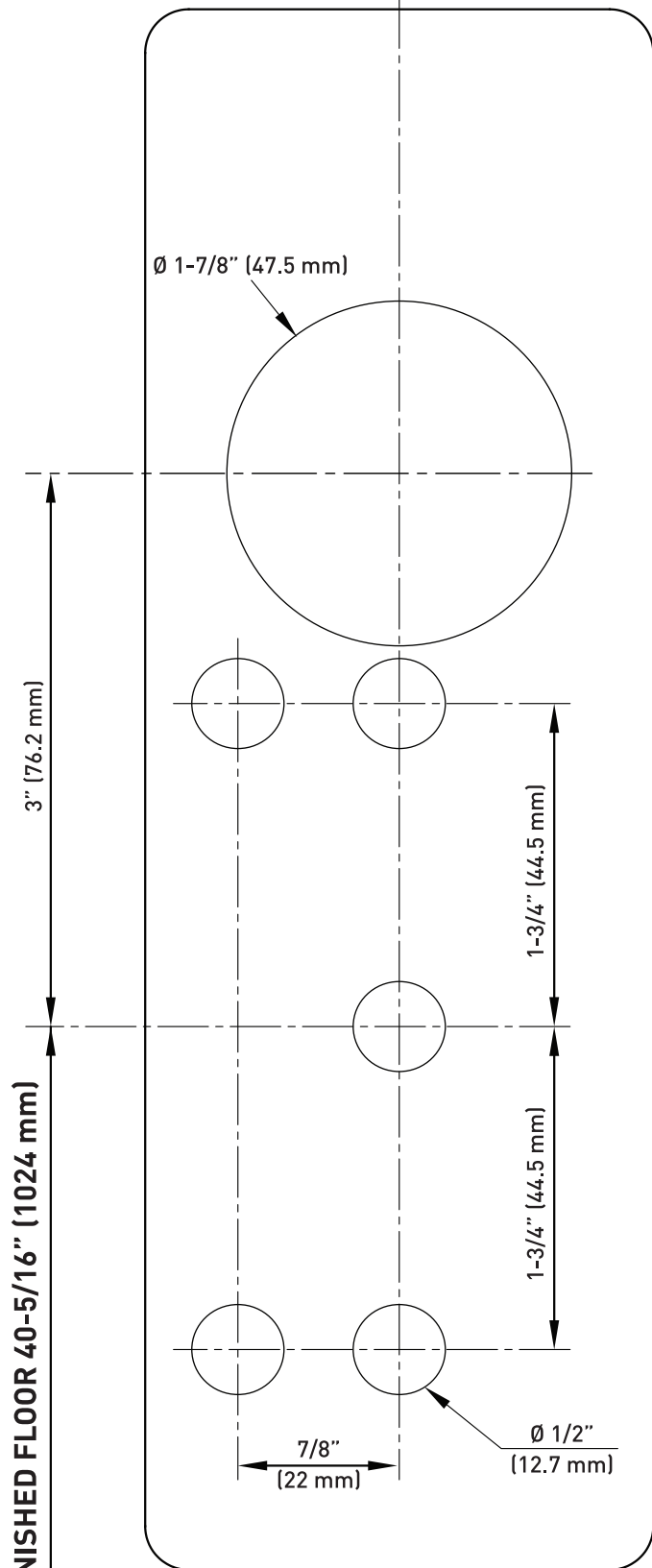


EDGE OF DOOR

**RHR**

Per exit device instructions

**OUTSIDE TRIM INSTALLATION**  
 1. Determine the handing of the door and select the matching template (RHR or LHR)  
 2. Ø1-7/8" hole on outside of door will only need to be drilled for the classroom function.

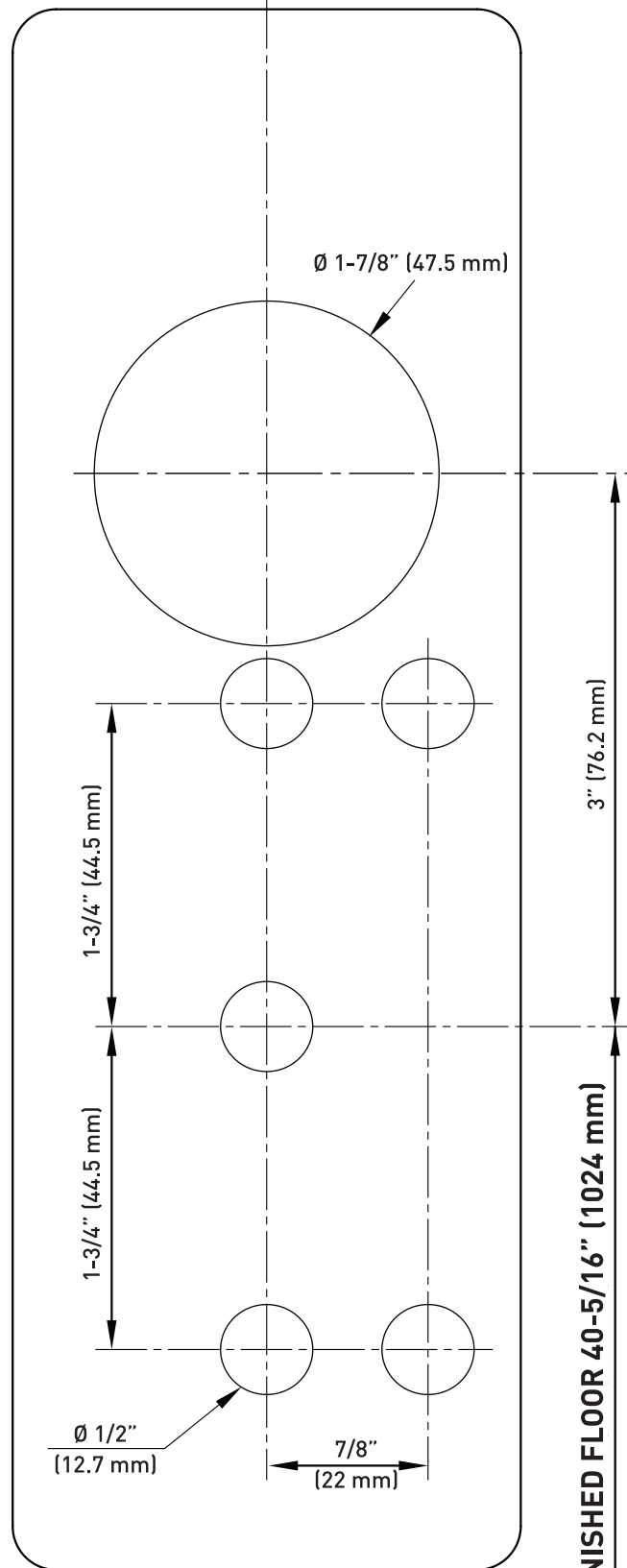


TO FINISHED FLOOR 40-5/16" (1024 mm)

CUSTOMER SERVICE • 1-800-267-4774

**LHR**

Per exit device instructions



TO FINISHED FLOOR 40-5/16" (1024 mm)

www.taymor.com

EDGE OF DOOR

**TEMPLATE FOR LEFT HANDED ESCUTCHEON LEVER TRIM**

