

Taymor

EXIT HARDWARE

8500 SERIES
PUSH PAD EXIT DEVICE
BUILDER PACK



FEATURES

- **TYPE:** 8500 SERIES SAFETY RATED, F8500 SERIES FIRE RATED
- **CERTIFICATION:** UL LISTED, UL 10C 1.5 HOURS FOR FIRE RATED
- **MODELS:** RIM & SURFACE VERTICAL ROD
- **FINISHES:** ALUMINUM (US28) AND STAINLESS STEEL (US32D)
- **INSTALLATION:** 28" TO 36" WOOD OR HOLLOW METAL DOORS, RETROFIT 161 DOOR PREP
- **DOOR SIZES:** MINIMUM = 28" x 84"; MAXIMUM = 36" x 96"
MAXIMUM CUT-DOWN OF BAR WIDTH = 8" (28" TOTAL WIDTH).
- **TRIMS:** USES SAME TRIMS AS 9700 SERIES GRADE 1 EXIT DEVICE
PLEASE REFER TO TRIM HARDWARE
- **WARRANTY:** 3 YEARS

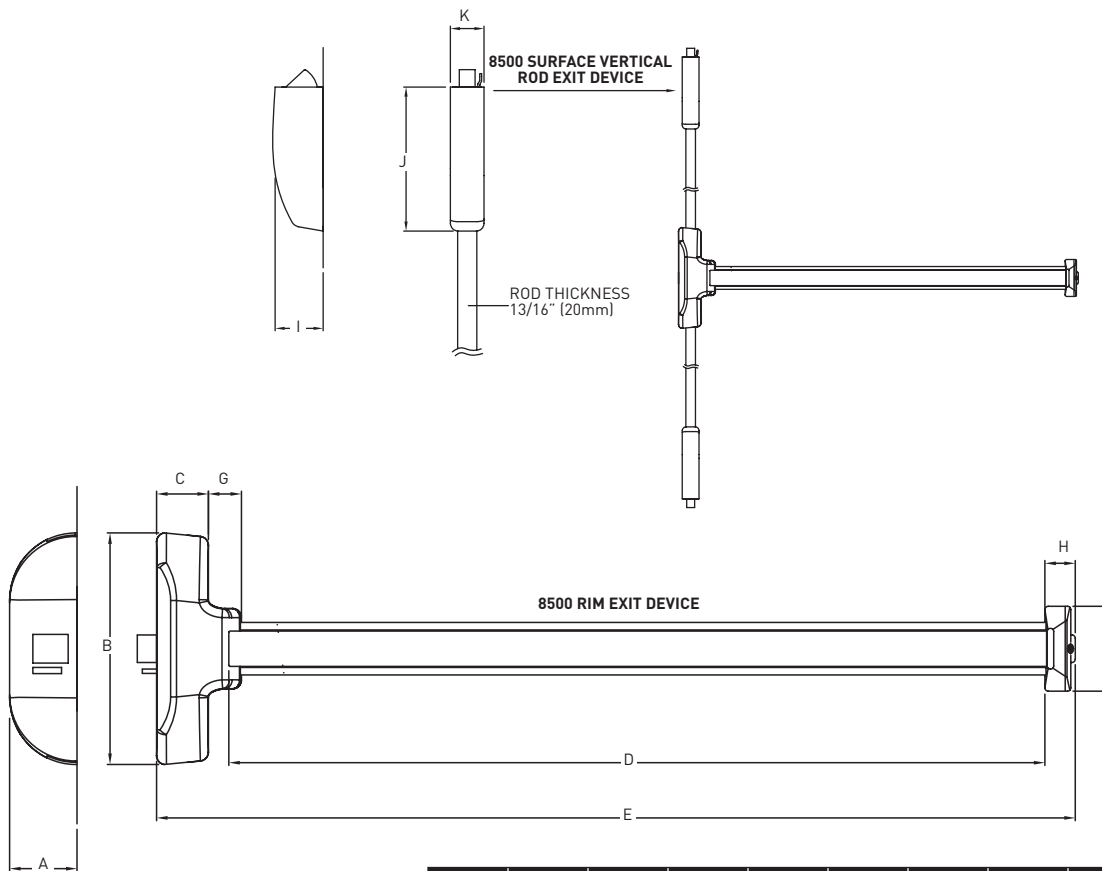
EXIT HARDWARE

8500 SERIES

PUSH PAD EXIT DEVICE
BUILDER PACK

SPECIFICATIONS

- MATERIAL HEAVY DUTY STEEL PRESSED
- DOGGING FEATURE QUARTER TURN HEX KEY DOGGING (SAFETY RATED ONLY)
- PROJECTION PUSH PAD NEUTRAL - 2-1/2"
PUSH PAD DEPRESSED - 1-7/8"
- DOOR 1-3/4" THICK METAL OR WOOD DOORS
- MOUNTING HEIGHT 40-5/16" FROM CENTER LINE TO FINISHED FLOOR RECOMMENDED
- FASTENER WOOD AND MACHINE SCREWS FOR 8500 NON-FIRE RATED
WOOD, MACHINE SCREWS AND THROUGH BOLTS FOR 8500 FIRE RATED



MODEL	A	B	C	D	E	F	G	H	I	J	K
8500 SERIES RIM EXIT DEVICE	2-7/16" (61.1mm)	8-1/4" (210.1mm)	1-7/8" (47mm)	29-1/8" (740.3mm)	32-13/16" (833.4mm)	3-1/32" (77mm)	1-3/16" (30mm)	1-3/32" (27.5mm)	N/A	N/A	N/A
8500 SERIES SURFACE VERTICAL ROD EXIT DEVICE	2-7/16" (61.1mm)	8-1/4" (210.1mm)	1-7/8" (47mm)	29-1/8" (740.3mm)	32-13/16" (833.4mm)	3-1/32" (77mm)	1-3/16" (30mm)	1-3/32" (27.5mm)	1-31/32" (50mm)	5-7/8" (150mm)	1-3/8" (35mm)

	US28 ALUMINUM	US32D STAINLESS STEEL	CASE PACK
8500 SERIES RIM EXIT DEVICE FOR 28" - 36" DOOR (71cm - 91cm)	17-8536AL	17-8536SS	6
8500 SERIES SURFACE VERTICAL ROD EXIT DEVICE FOR 28" - 36" DOOR (71cm - 91cm)	17-8536VAL	17-8536VSS	4
8500 SERIES FIRE RATED RIM EXIT DEVICE FOR 28" - 36" DOOR (71cm - 91cm)	17-F8536AL	17-F8536SS	6
8500 SERIES FIRE RATED SURFACE VERTICAL ROD EXIT DEVICE FOR 28" - 36" DOOR (71cm - 91cm)	17-F8536VAL	17-F8536VSS	4