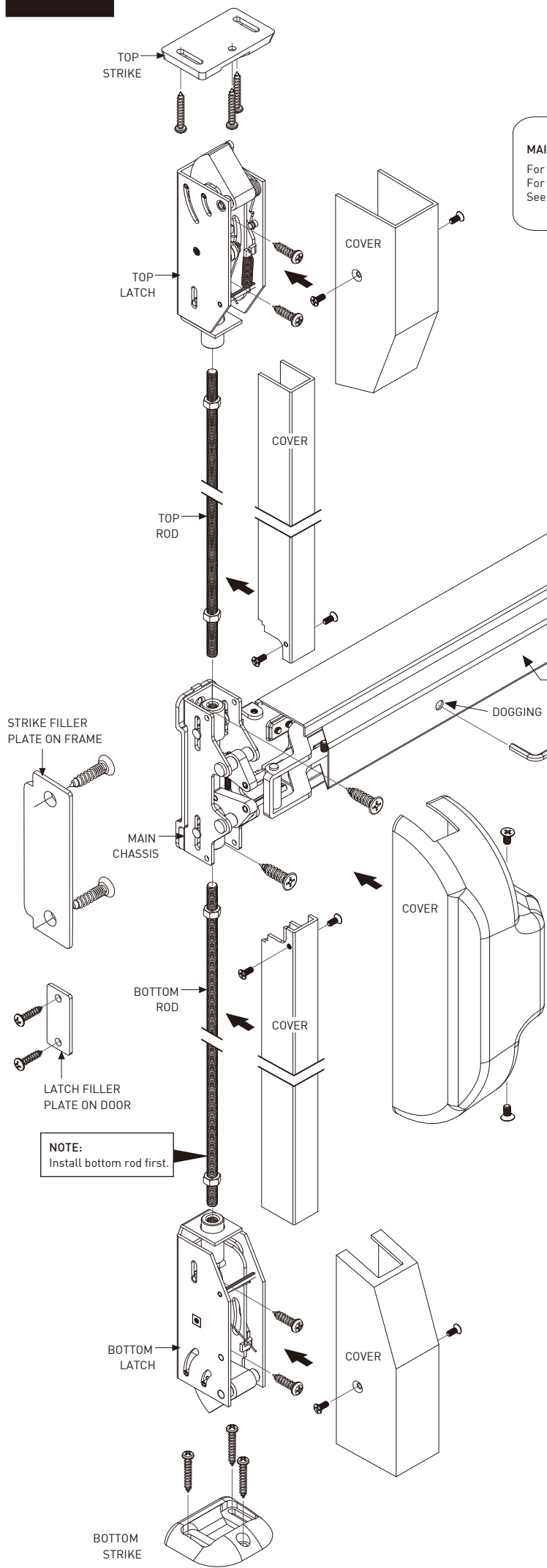


INSTALLATION INSTRUCTIONS

17-8536VAL /17-8536VSS
8500V SERIES
PUSH PAD VERTICAL ROD EXIT DEVICE
LHR DOOR SHOWN (RHR DOOR OPPOSITE)

Taymor

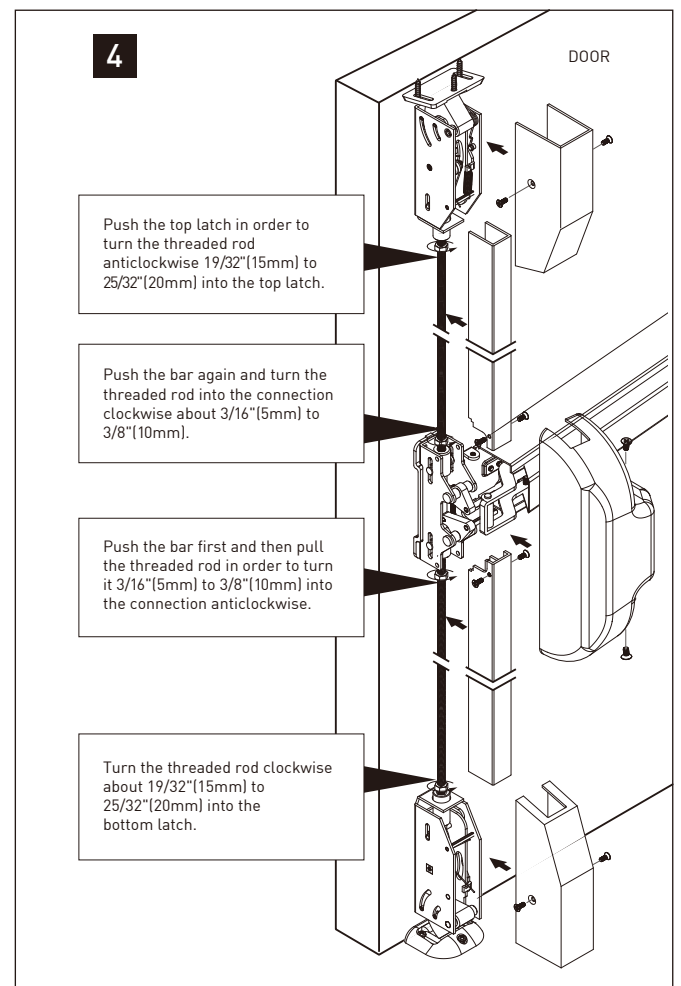
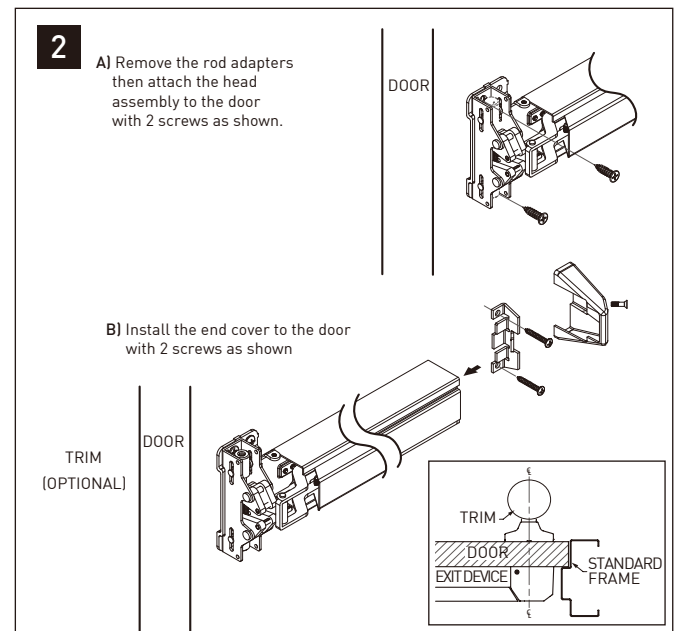
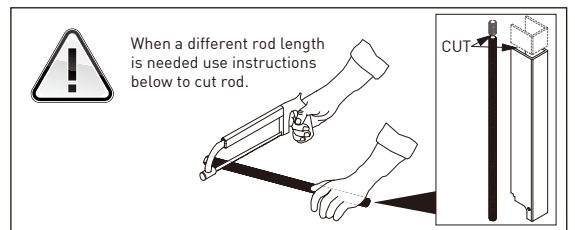
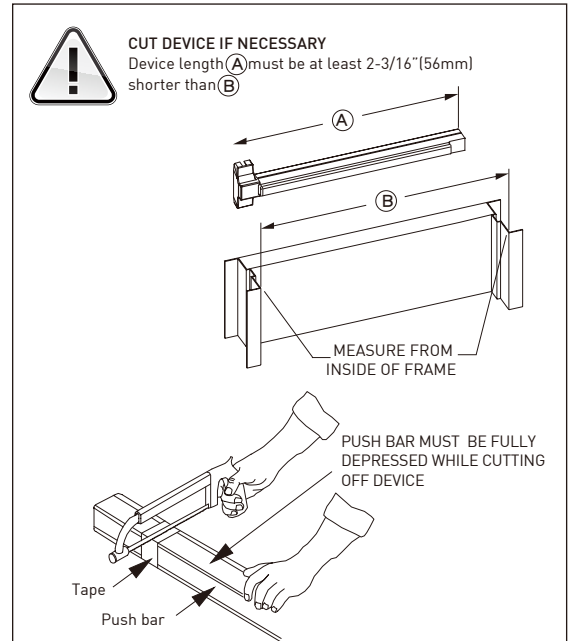
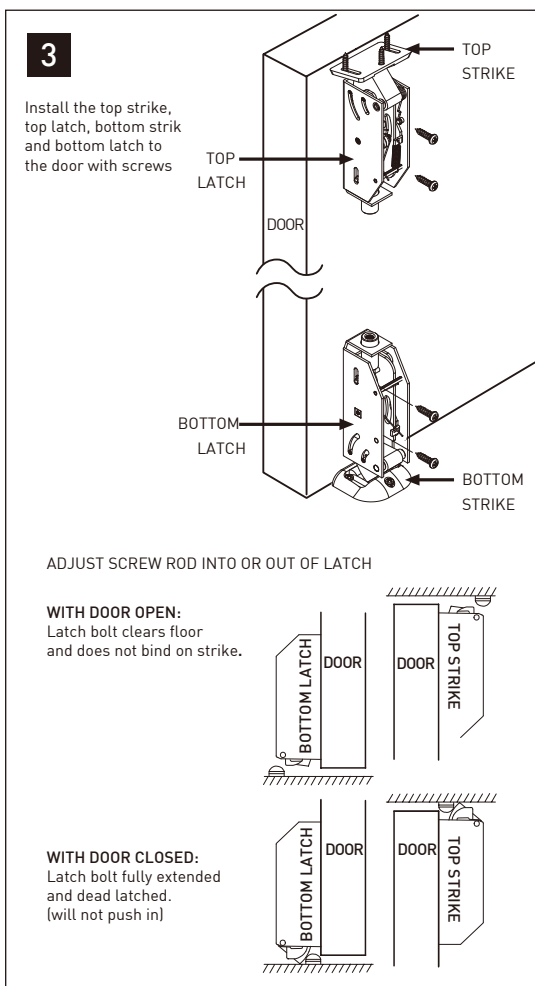
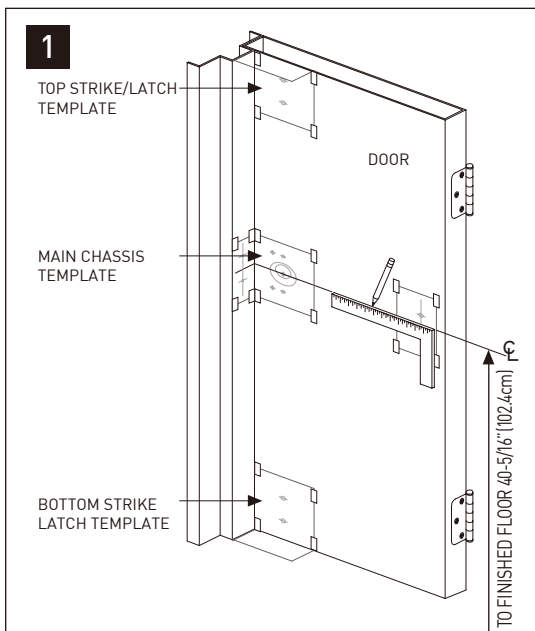


MAIN CHASSIS & TOP AND BOTTOM LATCHES MOUNTING SCREWS

For steel prepared doors, drill / tap and use supplied machine screws.
For thin gauge metal, non-prepared doors or for labelled wood doors use thru bolts.
See template for details on mounting screws.

DOGGING:
Depress push bar, insert dogging wrench and turn 90°. The push bar will remain depressed and the latch will remain retracted.

NOTE:
Install bottom rod first.



INSTALLATION INSTRUCTIONS

