



FEATURES

- Universal 6-in-1 latch
- High tensile steel anti-saw deadbolt with 1" throw
- High security deadbolt strike
- ADA thumbturn
- Concealed screw mount
- 6-pin SC4 keyway with full keying services available
- Meets ANSI/BHMA A156.2 Grade 2 Standards

INSTALLATION

- Fits standard door thickness: 1-3/8" (35 mm) - 1-3/4" (45 mm)
- Fits 1-1/2" (38 mm) or 2-1/8" (54 mm) bore hole
- Anti-pry collar included

STOCKED FINISHES

- Polished Chrome 26 (PC)
- Matte Black 19 (BLK)
- Satin Nickel 15 (SN)
- Satin Chrome 26D (SC)

SPECIAL ORDER FINISHES

- Satin Brass 4 (SB)
- Dark Bronze 10B (DB)
- Gun Metal (GM)
- Satin Stainless 32D (SS)



ROUND FLUSH



SQUARE FLUSH



BOX PACK	POLISHED CHROME 26	MATTE BLACK 19	SATIN NICKEL 15	SATIN CHROME 26D
ROUND FLUSH DEADBOLT	30-D01SC408PC	30-D01SC408BLK	30-D01SC408SN	30-D01SC408SC
SQUARE FLUSH DEADBOLT	30-D01SC406PC	30-D01SC406BLK	30-D01SC406SN	30-D01SC406SC

HOW TO SPECIFY SPECIAL ORDER FINISHES

Please contact your Taymor Sales Representative for pricing, samples, and minimum order quantities.

To determine the item code for a special order finish product, simply add the finish code at the end of the product SKU as shown below:

FINISH	FINISH CODE
Satin Brass 4	SB
Dark Bronze 10B	DB
Gun Metal	GM
Polished Chrome 26	PC
Matte Black 19	BLK
Satin Nickel 15	SN
Satin Stainless 32D	SS
Satin Chrome 26D	SC

30	-	D006464	SB
LINE CODE		SKU	FINISH CODE

30-D006464SB

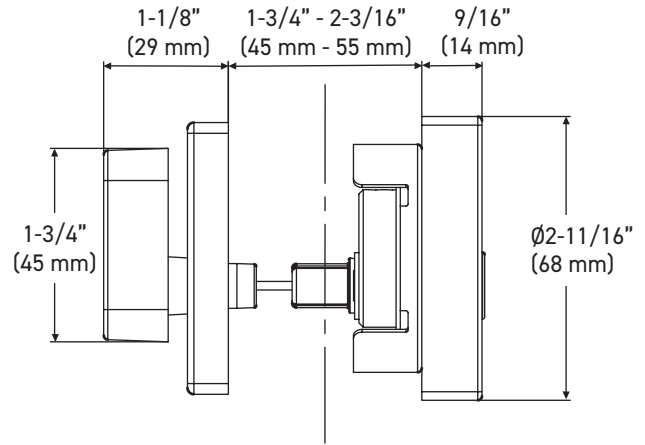
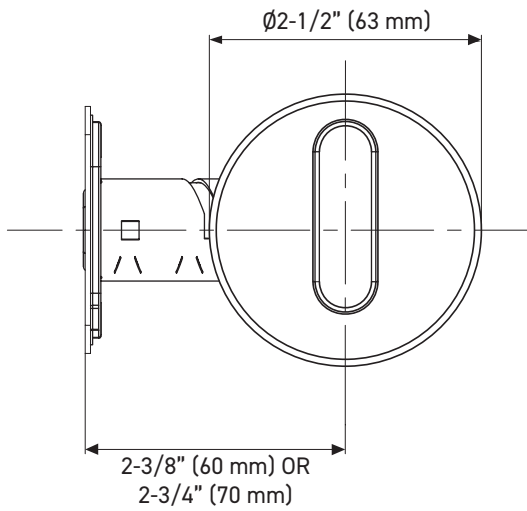
Example of the item codes for the Vega Round Rose Lever in Satin Brass:

FUNCTIONS	LINE CODE	SKU	FINISH CODE	ITEM CODE
Entry	30	D006464	SB	30-D006464SB
Privacy	30	D006424	SB	30-D006424SB
Passage 🔥	30	D006434	SB	30-D006434SB
Inside Trim	30	HL0064	SB	30-HL0064SB
Dummy	30	644	SB	30-644SB

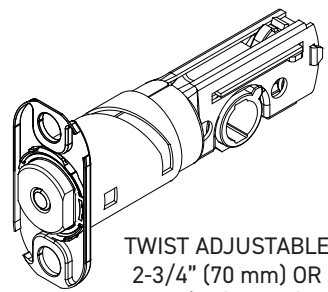
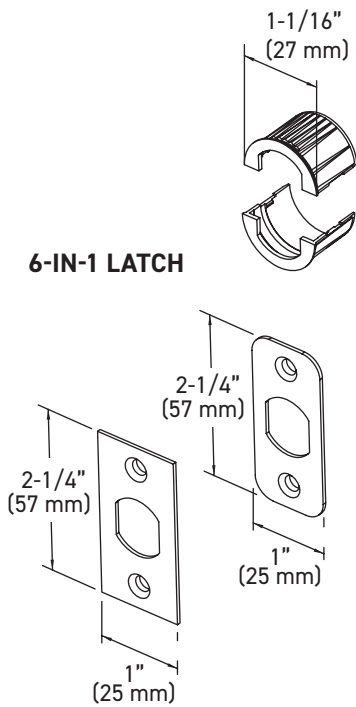
ADDITIONAL DETAILS

- Special order products are not eligible for return or exchange
- Lead times may vary
- Minimum order quantities apply

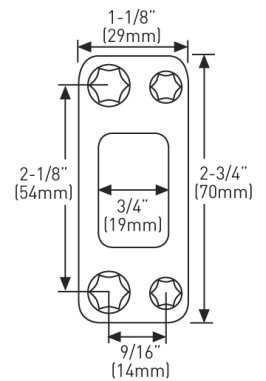
ROUND FLUSH DEADBOLT LOCK ASSEMBLY



6-IN-1 LATCH

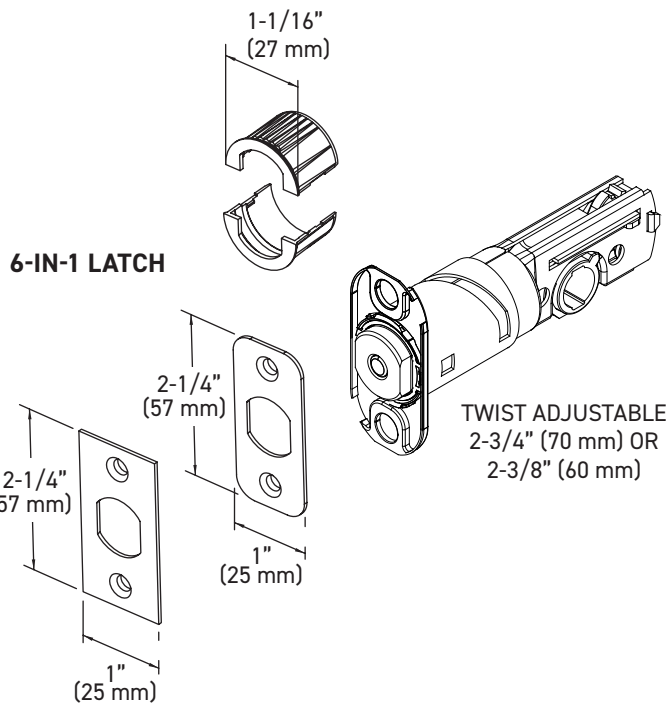
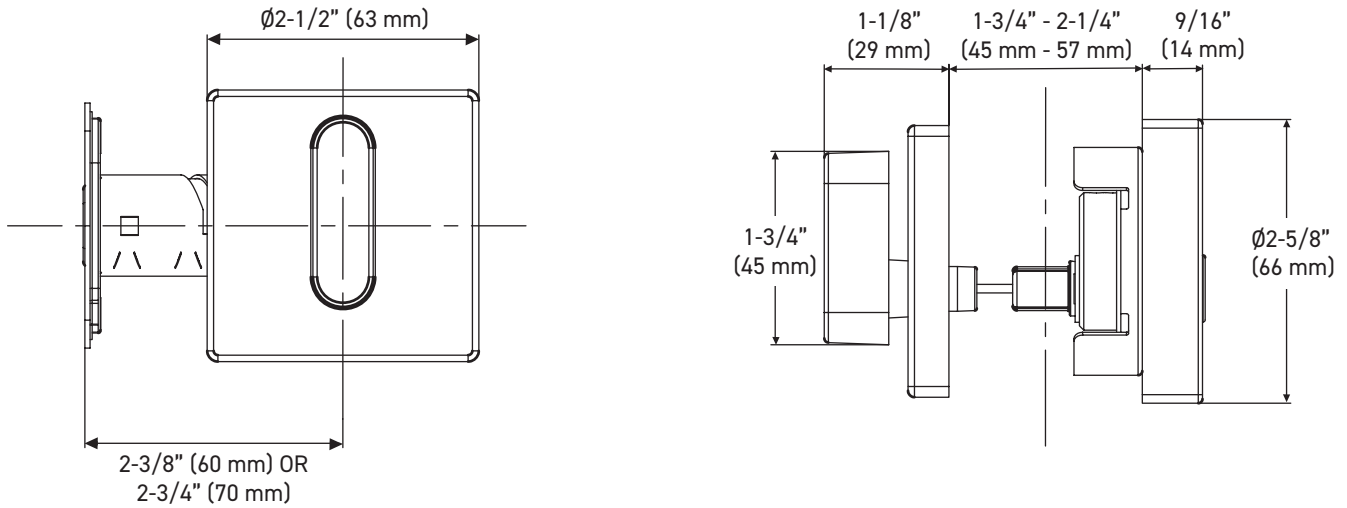


HIGH SECURITY STRIKE

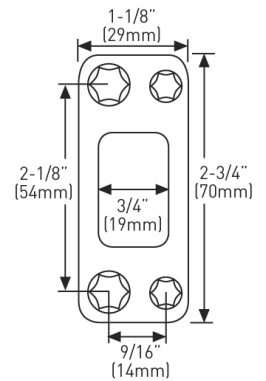


MEASUREMENTS SUBJECT TO A 3% VARIANCE. MEASUREMENTS ARE FOR REFERENCE ONLY. TAYMOR RESERVES THE RIGHT TO CHANGE PRODUCT SPECS WITHOUT NOTICE.

SQUARE FLUSH DEADBOLT LOCK ASSEMBLY



HIGH SECURITY STRIKE



MEASUREMENTS SUBJECT TO A 3% VARIANCE. MEASUREMENTS ARE FOR REFERENCE ONLY. TAYMOR RESERVES THE RIGHT TO CHANGE PRODUCT SPECS WITHOUT NOTICE.