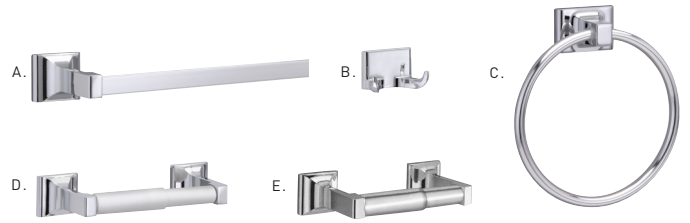
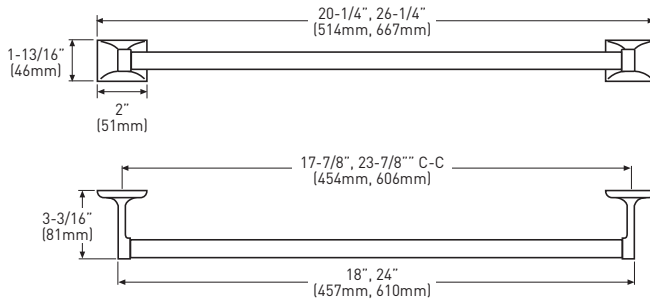


FEATURES

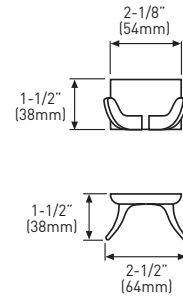
- › INCLUDES STEEL PHILLIPS HEAD SCREWS: #8 x 1-1/4" (32 mm)
- › ZINC DIE-CAST CONSTRUCTION (POSTS)



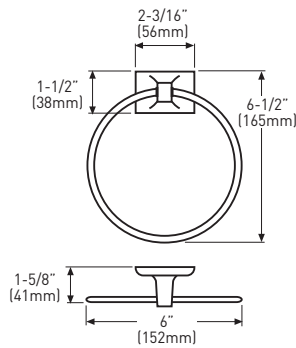
TOWEL BAR



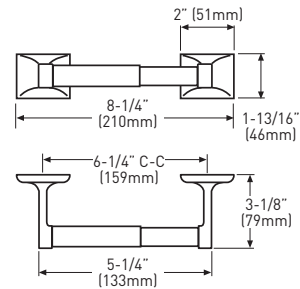
DOUBLE ROBE HOOK



TOWEL RING



PAPER HOLDER



MEASUREMENTS SUBJECT TO A 3% VARIANCE

MEASUREMENTS ARE FOR REFERENCE ONLY. TAYMOR RESERVES THE RIGHT TO CHANGE THE PRODUCT SPECS WITHOUT NOTICE. FOR PRODUCT WARRANTY, PLEASE VISIT TAYMOR WEBSITE FOR DETAILS

BUILDER PACK

3/4" STAINLESS STEEL BAR	SATIN NICKEL 15	POLISHED CHROME 26	CASE QTY.
A. TOWEL BAR - 18"	01-940018SN	01-940018	50
TOWEL BAR - 24"	01-940024SN	01-940024	50

3/4" ALUMINUM BAR	POLISHED CHROME 26	CASE QTY.
A. TOWEL BAR - 18"	01-A940018	50
TOWEL BAR - 24"	01-A940024	50

B. DOUBLE ROBE HOOK

SATIN NICKEL 15	POLISHED CHROME 26	CASE QTY.
01-9402SN	01-9402	50

C. TOWEL RING

01-9404SN	01-9404	50
-----------	---------	----

D. PAPER HOLDER - WITH WHITE PLASTIC ROLLER

-	01-9408	50
---	---------	----

E. PAPER HOLDER - WITH MATCHING FINISH PLASTIC ROLLER

01-9409SN	01-9409	50
-----------	---------	----

