



FEATURES

- Concealed screw mount

INSTALLATION

- Mounting hardware kit (plates, nylon anchors, and steel Phillips head screws) included
- Mounting plates: 1-3/16" x 1-3/16" (30 mm x 30 mm), Paper Holder: 1-15/32" x 1-13/32" (37 mm x 36 mm)

STOCKED FINISHES

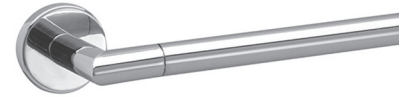
- Polished Chrome (PC)
- Matte Black (BLK)
- Satin Nickel (SN)

SPECIAL ORDER FINISHES

- Brushed Brass (BB)
- Dark Bronze (DB)
- Gun Metal (GM)
- Polished Nickel (PN)



ROBE HOOK



TOWEL BAR



TOWEL RING



PAPER/TOWEL HOLDER



PAPER HOLDER



PIVOTING PAPER HOLDER*

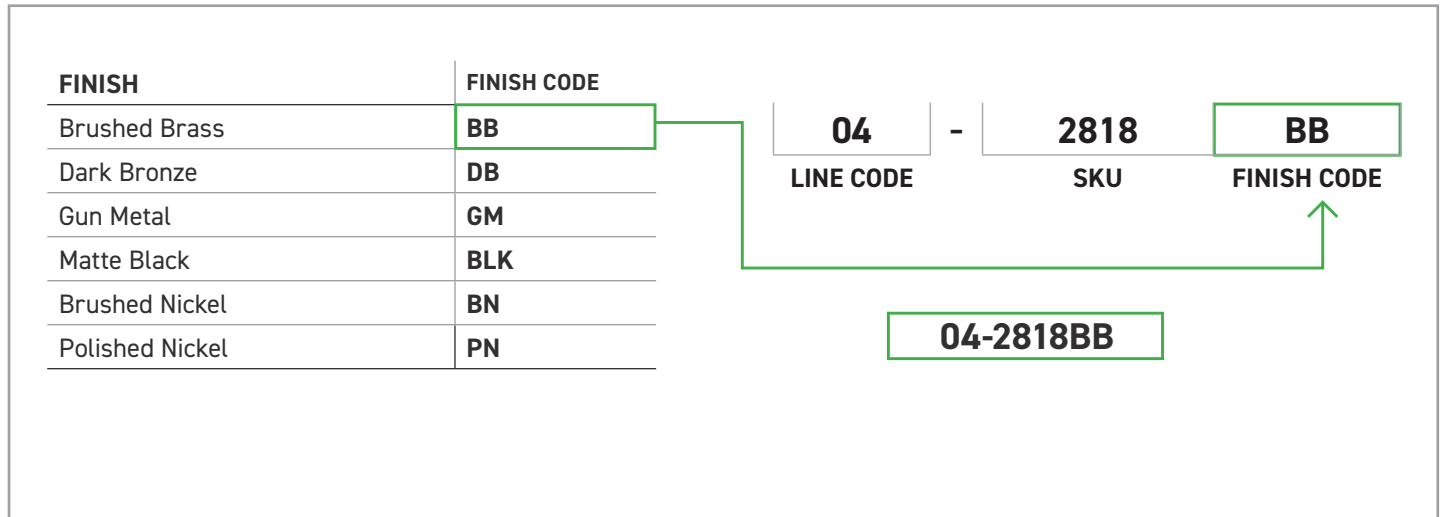
BOX PACK	POLISHED CHROME	MATTE BLACK	SATIN NICKEL	MATERIAL
10" Towel Bar	04-2810	04-2810BLK	04-SN2810	Zinc/Steel
18" Towel Bar	04-2818	04-2818BLK	04-SN2818	Zinc/Steel
24" Towel Bar	04-2824	04-2824BLK	04-SN2824	Zinc/Steel
30" Towel Bar	04-2830	04-2830BLK	04-SN2830	Zinc/Steel
Robe Hook	04-2801	04-2801BLK	04-SN2801	Zinc
Paper Holder	04-2848	04-2848BLK	04-SN2848	Zinc/Steel
Pivoting Paper Holder *	04-2808P	04-2808PBLK	04-2808PSN	Zinc
Paper/Towel Holder	04-2838	04-2838BLK	04-SN2838	Zinc/Steel
Towel Ring	04-2804A	04-2804ABLK	04-SN2804A	Zinc/Steel

* Not available in Special Order Finishes

HOW TO SPECIFY SPECIAL ORDER FINISHES

Please contact your Taymor Sales Representative for pricing, samples, and minimum order quantities.

To determine the item code for a special order finish product, simply add the finish code at the end of the product SKU as shown below:



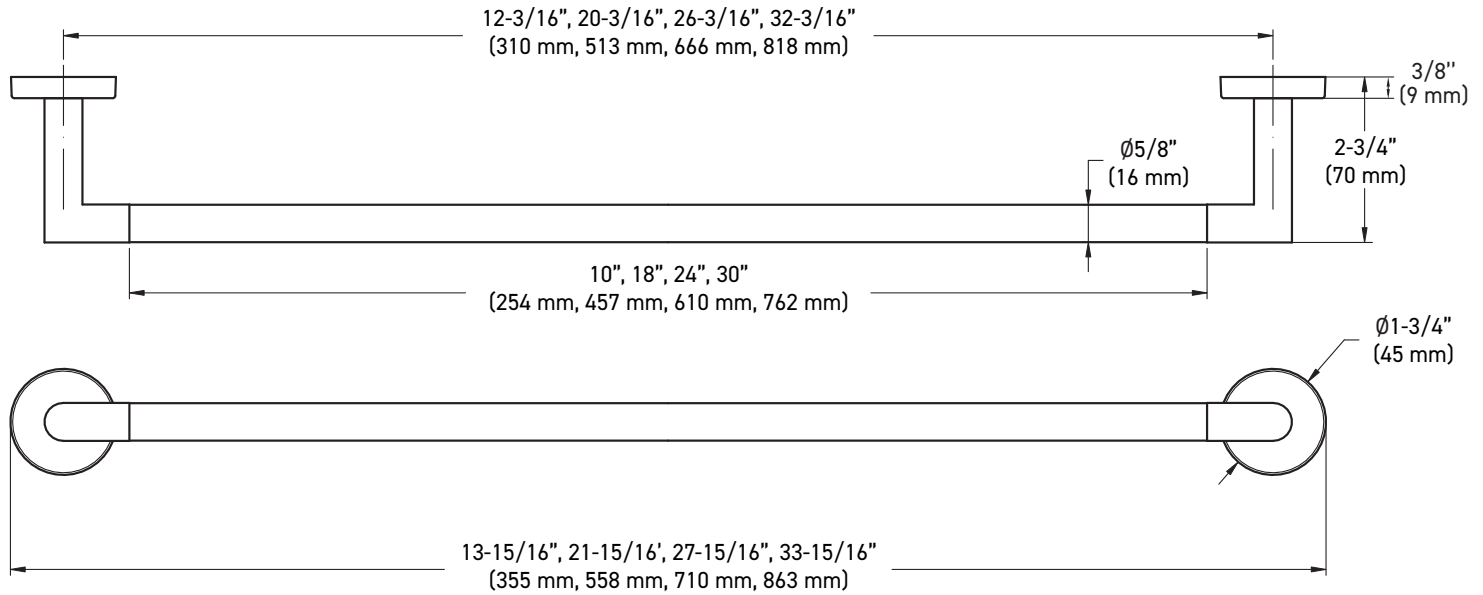
Example of the item codes for the Astral Bath Collection's Towel Bars in Brushed Brass:

FUNCTIONS	LINE CODE	SKU	FINISH CODE	ITEM CODE
10" Towel Bar	04	2810	BB	04-2810BB
18" Towel Bar	04	2818	BB	04-2818BB
24" Towel Bar	04	2824	BB	04-2824BB
30" Towel Bar	04	2830	BB	04-2830BB

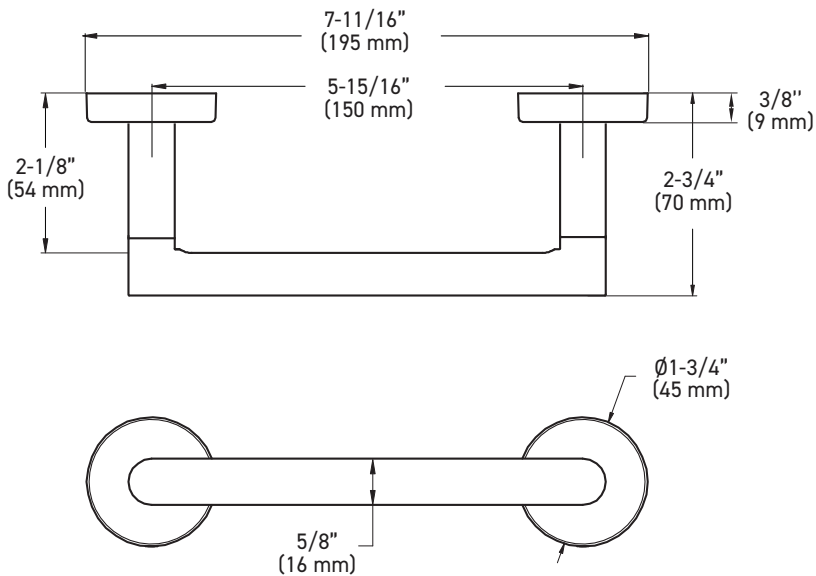
ADDITIONAL DETAILS

- Special order products are not eligible for return or exchange
- Lead times may vary
- Minimum order quantities apply

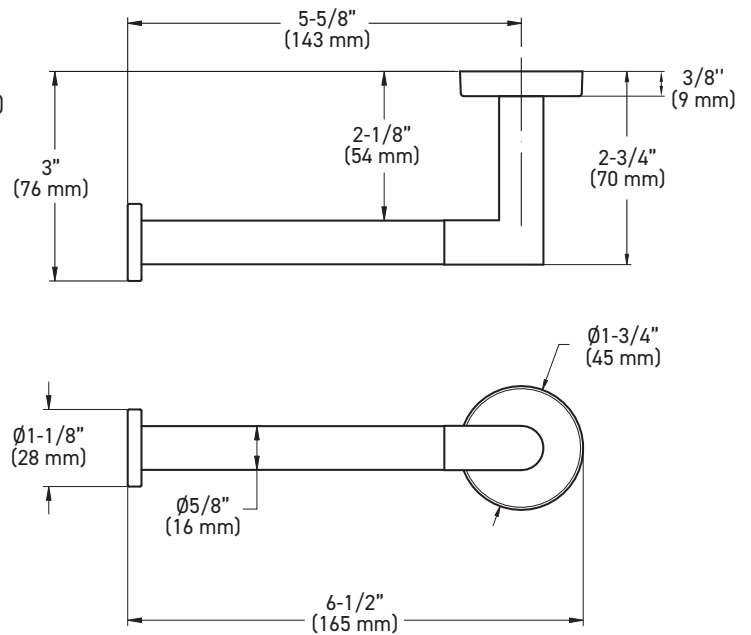
TOWEL BAR



PIVOTING PAPER HOLDER

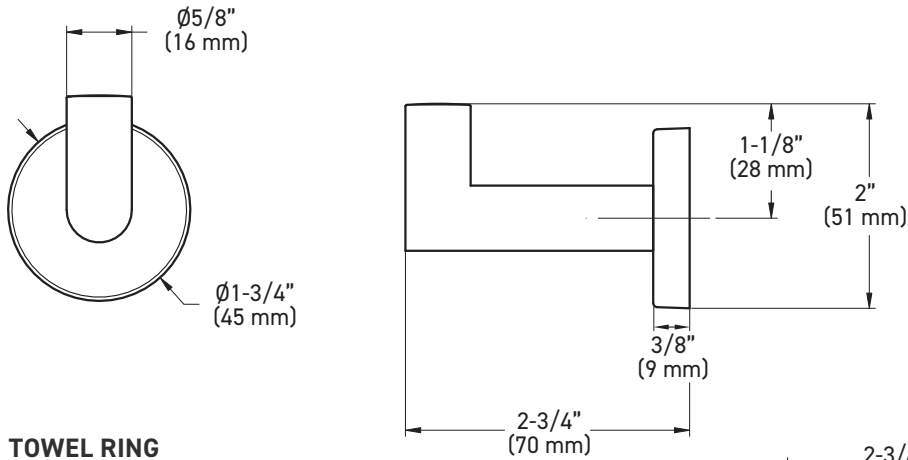


PAPER HOLDER (LEFT HAND INSTALLATION)

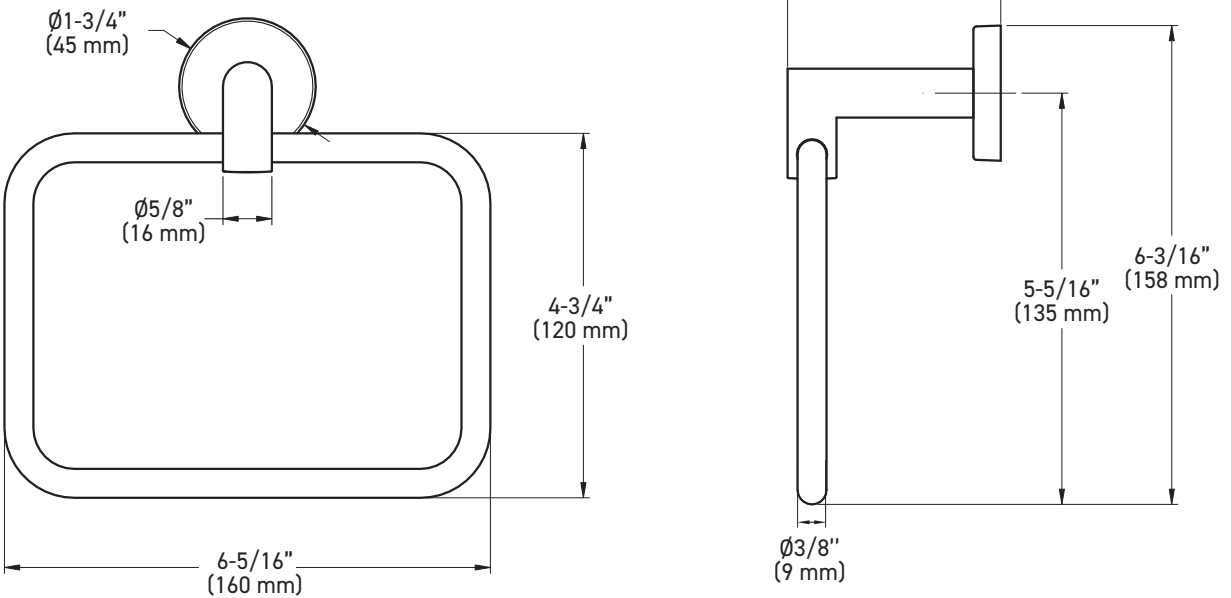


MEASUREMENTS SUBJECT TO A 3% VARIANCE. MEASUREMENTS ARE FOR REFERENCE ONLY. TAYMOR RESERVES THE RIGHT TO CHANGE PRODUCT SPECS WITHOUT NOTICE.

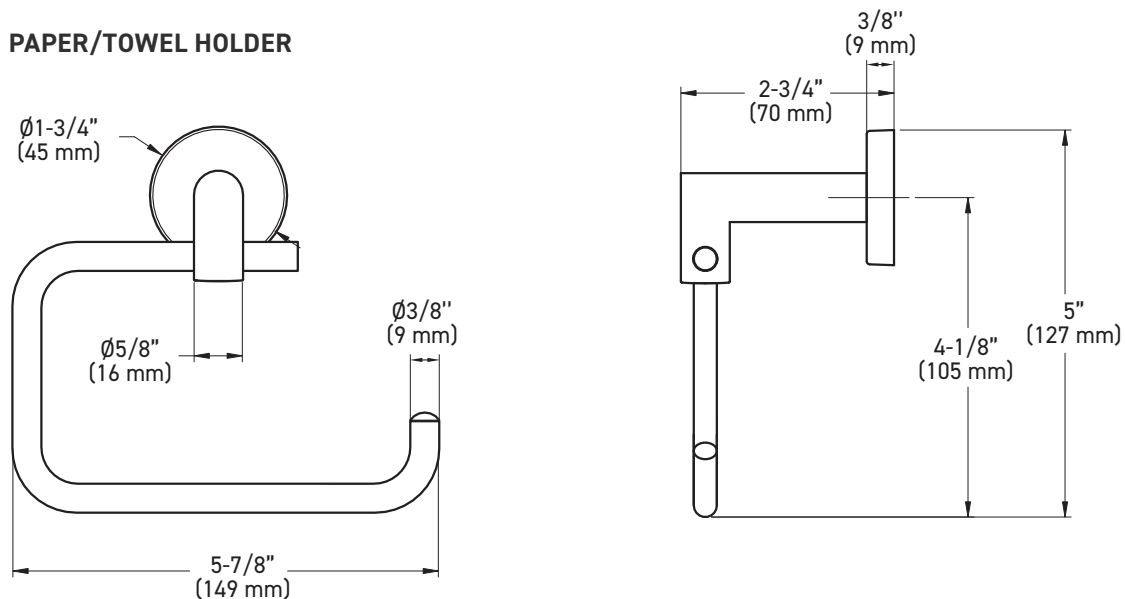
ROBE HOOK



TOWEL RING



PAPER/TOWEL HOLDER



MEASUREMENTS SUBJECT TO A 3% VARIANCE. MEASUREMENTS ARE FOR REFERENCE ONLY. TAYMOR RESERVES THE RIGHT TO CHANGE PRODUCT SPECS WITHOUT NOTICE.