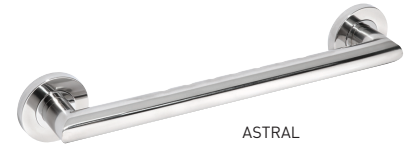


FEATURES

- › STAINLESS STEEL CONSTRUCTION
- › 1-1/4" O.D. (31.75 mm)
- › ERGONOMIC, NON-SLIP FINGER GRIP
- › ADA COMPLIANT
- › CONCEALED MOUNT
- › MAXIMUM WEIGHT LOAD 300 LBS (136 KG)
- › MOUNTING HARDWARE INCLUDED
- › IN COMPLIANCE WITH ANSI 117.1

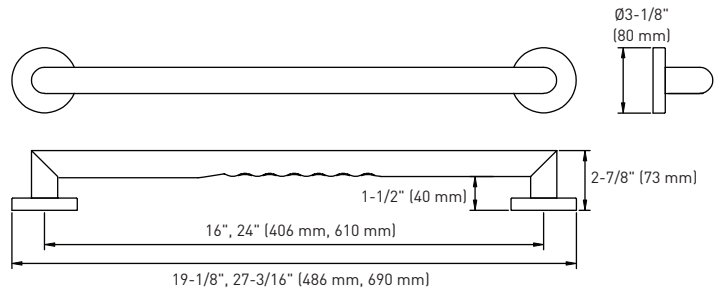
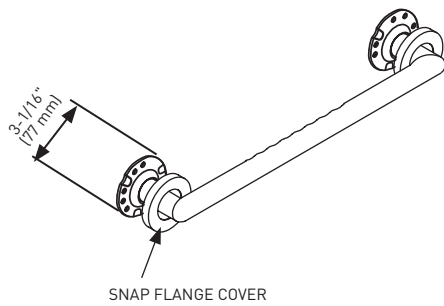


ASTRAL

MEETS
ADA STANDARDS 



LIFETIME
WARRANTY



MEASUREMENTS SUBJECT TO A 3% VARIANCE

MEASUREMENTS ARE FOR REFERENCE ONLY. TAYMOR RESERVES THE RIGHT TO CHANGE THE PRODUCT SPECS WITHOUT NOTICE. FOR PRODUCT WARRANTY, PLEASE VISIT TAYMOR WEBSITE FOR DETAILS

VISUAL PACK

POLISHED STAINLESS STEEL 32

CASE QTY.

16" ASTRAL GRAB BAR
24" ASTRAL GRAB BAR

03-6916PSS
03-6924PSS

3
3

