

KAI
06-4621P
BATHROOM FAUCET

Taymor



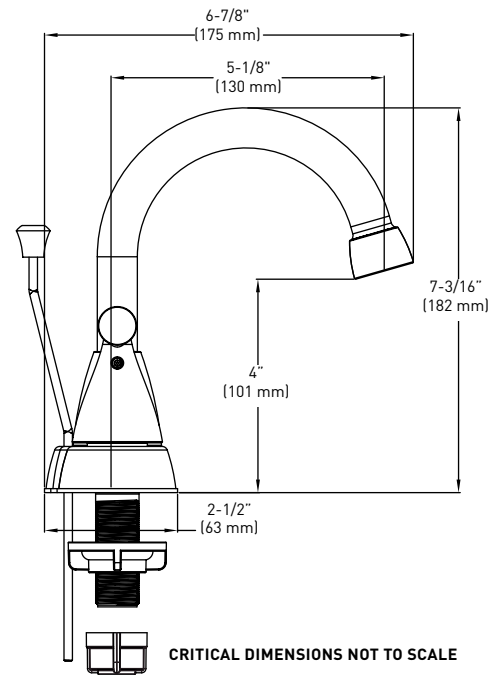
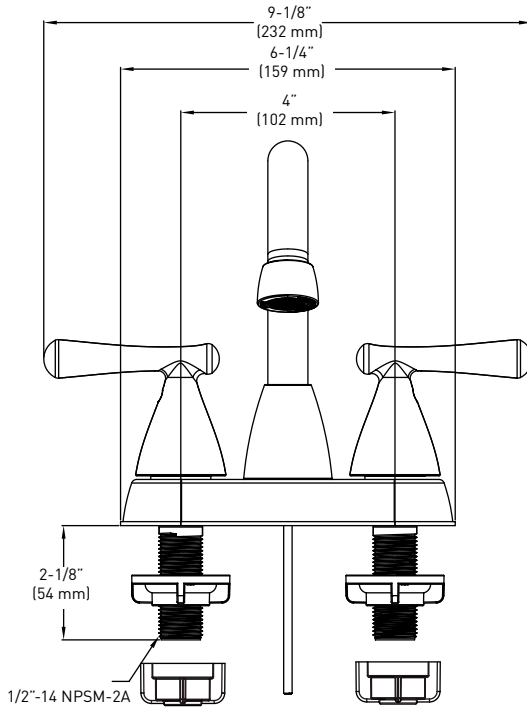
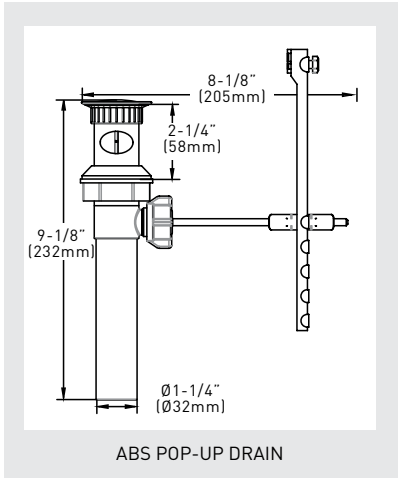
FEATURES

- TWO LEVER HANDLES WITH HIGH ARC SWIVEL SPOUT
- AVAILABLE IN POLISHED CHROME
- 4" CENTER-SET MOUNT
- POP-UP DRAIN ASSEMBLY INCLUDED
- CERAMIC CARTRIDGE
- MAXIMUM FLOW RATE: 1.5 GPM/5.7 LPM @ 60 PSI
- FACTORY PRESSURE TESTED

- cUPC CERTIFIED / WaterSense® CERTIFIED
- LOW LEAD COMPLIANT



KAI
06-4621P
 BATHROOM FAUCET



CONSTRUCTION

- METAL CONSTRUCTION WITH POLISHED CHROME FINISH
- PLASTIC VALVE BODIES

MOUNTING

- DESIGNED TO INSTALL THROUGH 3 HOLES, 7/8" (23mm) MIN. DIA. WITH 4" (102mm) CENTERS, ON DECKS UP TO 1" (25mm)
- DESIGNED TO INSTALL MIN. 1-11/16" (43mm) FROM VALVE CENTERLINE TO BACK SPLASH

INLET

- 1/2"-14 NPSM THREADED MALE INLET SHANKS

OPERATION

- QUARTER-TURN LEVER STYLE HANDLES
- OPERATES WITH LESS THAN 5 LBS. OF FORCE

WATER-CONTROL MECHANISM

- CARTRIDGE
- CERAMIC DISC VALVES

REPLACEMENT PARTS AVAILABLE

FOR PARTS NOT LISTED CONTACT CUSTOMER SERVICE

REPLACEMENT PARTS	PART NUMBER
1 - AERATOR	06-RP0711
2 - CARTRIDGE "H"	06-RP0316H
3 - CARTRIDGE "C"	06-RP0316C
4 - POP-UP ASSEMBLY (WITHOUT LIFT ROD & KNOB)	06-RP0204
5 - LIFT ROD & KNOB	06-RP0712
6 - MOUNTING NUTS	06-RP0186
7 - O-RING	06-RP0199
8 - SET SCREW	06-RP0721
9 - PLASTIC COUPLING NUTS	06-RP0739

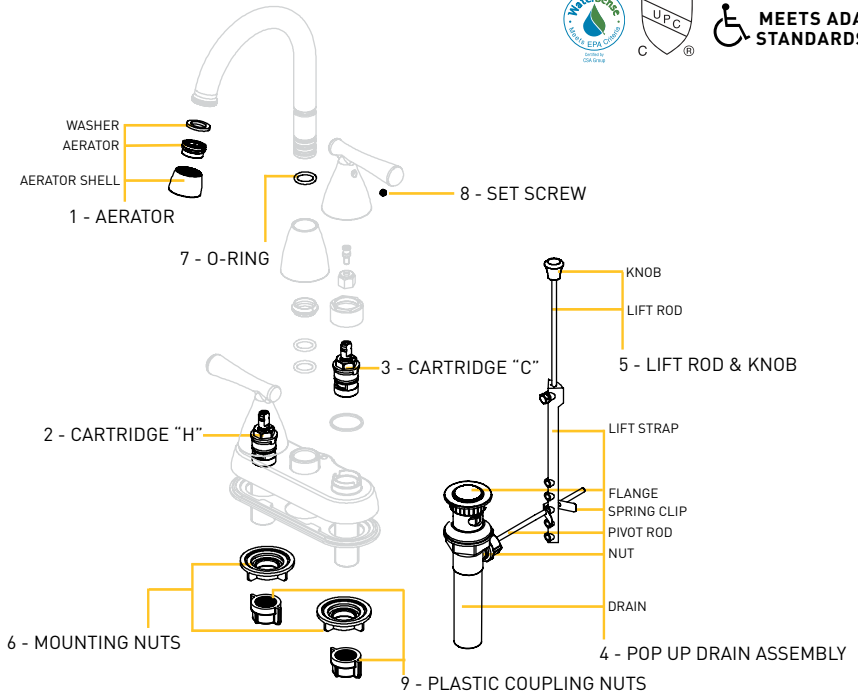
FLOW

- AERATOR LIMITS MAXIMUM FLOW RATE TO 1.5 GPM MAX. (5.7 L/MIN.) @ 60 PSI
- CODES/STANDARDS APPLICABLE**

- cUPC
- ASME A112.18.1
- ANSI/NSF 61/9
- LOW LEAD COMPLIANT

GUARANTEE

- LIMITED LIFETIME GUARANTEE AGAINST DEFECTS IN MATERIAL AND WORKMANSHIP TO ORIGINAL CONSUMER PURCHASER
- 5 YEAR WARRANTY IF USED IN INDUSTRIAL, COMMERCIAL AND BUSINESS INSTALLATIONS



DESCRIPTION	POLISHED CHROME	CASE QTY.
TWO LEVER HANDLE BATHROOM FAUCET WITH HIGH ARC SWIVEL SPOUT	06-4621P	6