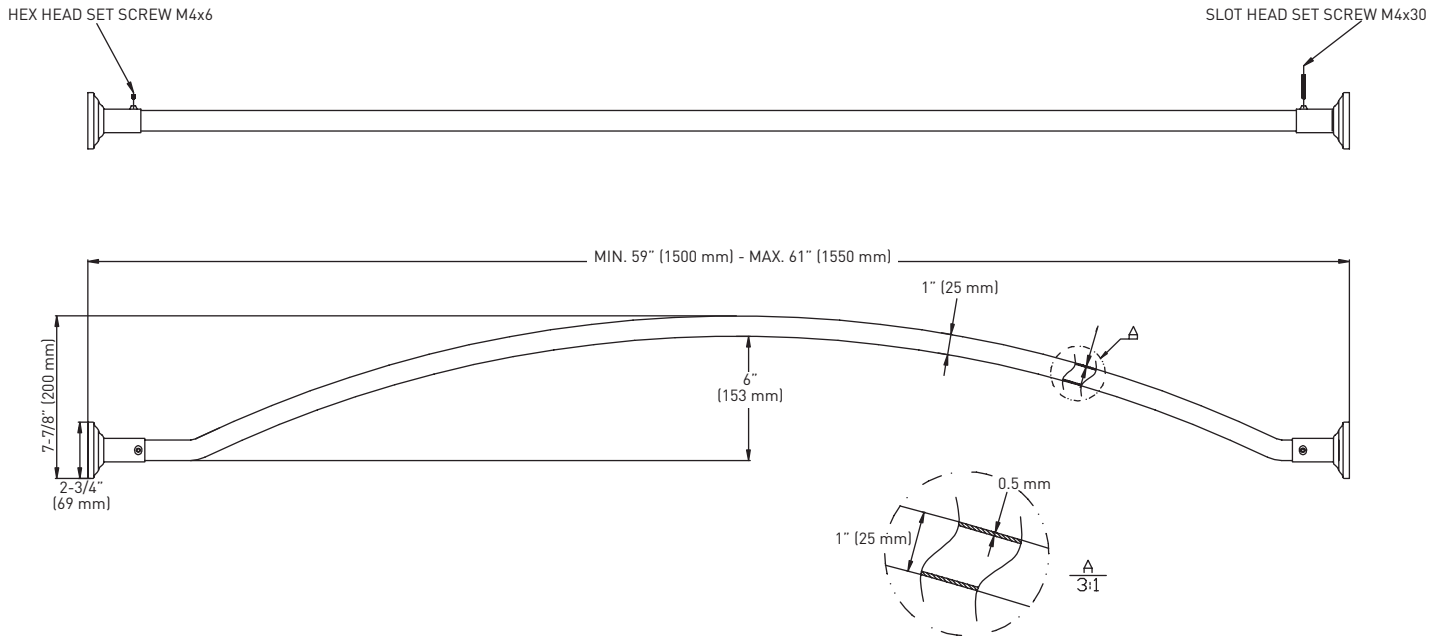


FEATURES

- › STAINLESS STEEL CONSTRUCTION
- › POWDER COATED FINISH (MATTE BLACK FINISH)
- › 1" (25 mm) OUTSIDE DIAMETER
- › FLANGES INCLUDED
- › PROTRUDES 6" (153 mm) AT CENTER
- › MOUNTING HARDWARE INCLUDED



BUILDER PACK	SATIN NICKEL 15	POLISHED CHROME 26	CASE QTY.
5' (1.549 m) LONG - .019\" WALL THICKNESS (25 GAUGE), CLEAN CUT ROD	01-C6289SN	01-C6289	6

MEASUREMENTS SUBJECT TO A 3% VARIANCE

MEASUREMENTS ARE FOR REFERENCE ONLY. TAYMOR RESERVES THE RIGHT TO CHANGE THE PRODUCT SPECS WITHOUT NOTICE. FOR PRODUCT WARRANTY, PLEASE VISIT TAYMOR WEBSITE FOR DETAILS

