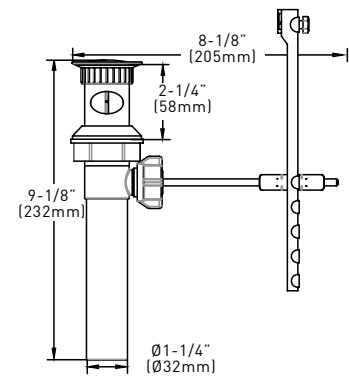
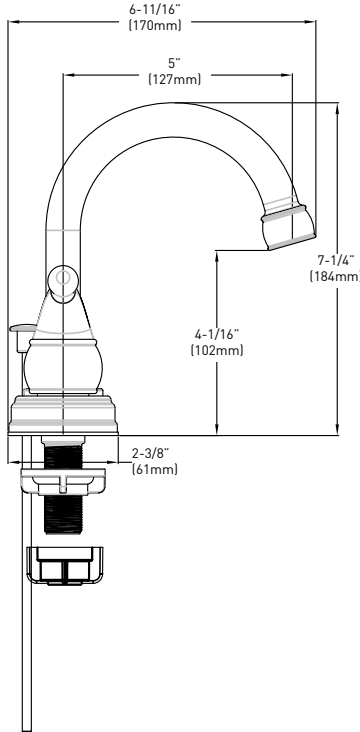
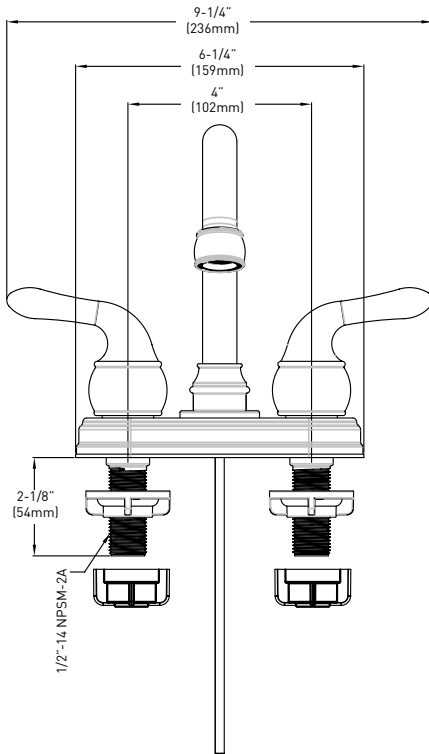


FEATURES

- › TWO LEVER HANDLES WITH HIGH ARC SWIVEL SPOUT
- › 4" CENTER-SET MOUNT
- › POP-UP DRAIN ASSEMBLY INCLUDED
- › WASHERLESS CARTRIDGE
- › MAXIMUM FLOW RATE: 1.5 GPM/5.7 LPM @ 60 PSI
- › FACTORY PRESSURE TESTED
- › LOW LEAD COMPLIANT



ABS POP-UP DRAIN

MEASUREMENTS SUBJECT TO A 3% VARIANCE

MEASUREMENTS ARE FOR REFERENCE ONLY. TAYMOR RESERVES THE RIGHT TO CHANGE THE PRODUCT SPECS WITHOUT NOTICE. FOR PRODUCT WARRANTY, PLEASE VISIT TAYMOR WEBSITE FOR DETAILS

CONSTRUCTION

- › METAL CONSTRUCTION
- › PLASTIC VALVE BODIES

MOUNTING

- › DESIGNED TO INSTALL THROUGH 3 HOLES, 7/8" (23mm) MIN. DIA. WITH 4" (102mm) CENTERS, ON DECKS UP TO 1-3/16" (30mm)
- › DESIGNED TO INSTALL MIN. 1-11/16" (43mm) FROM VALVE CENTERLINE TO BACK SPLASH

INLET

- › 1/2"-14 NPSM THREADED MALE INLET SHANKS

OPERATION

- › QUARTER-TURN LEVER STYLE HANDLES
- › OPERATES WITH LESS THAN 5 LBS. OF FORCE

WATER-CONTROL MECHANISM

- › CARTRIDGE
- › ROTATING CYLINDER TYPE WITH STAINLESS STEEL PLATE AND NON-METALLIC SEATS

FLOW

- › AERATOR LIMITS MAXIMUM FLOW RATE TO 1.5 GPM MAX. (5.7 L/MIN.) @ 60 PSI

CODES/STANDARDS APPLICABLE

- › cUPC
- › ASME A112.18.1/CSA B125.1
- › ANSI/NSF 372
- › LOW LEAD COMPLIANT

GUARANTEE

- › LIFETIME GUARANTEE AGAINST DEFECTS IN MATERIAL AND WORKMANSHIP TO ORIGINAL CONSUMER PURCHASER
- › 5 YEAR WARRANTY IF USED IN INDUSTRIAL, COMMERCIAL AND BUSINESS INSTALLATIONS



MEETS ADA
STANDARDS

DESCRIPTION

PVD SATIN
NICKEL

CASE
QTY.

TWO LEVER HANDLE BATHROOM FAUCET WITH SWIVEL SPOUT

06-4491PSN

6