



FEATURES

- Universal 6-in-1 latch: drive in, square and radius mortise with adjustable backset: 2-3/8" (60mm) - 2-2/4" (70mm)
- Push button auto-release on privacy function
- Meets ANSI/BHMA A156.2 Grade 3 Standards



INSTALLATION

- Fits standard door thickness: 1-3/8" (35 mm) - 1-3/4" (45 mm)
- Full lip radius corner strike with adjustable tab standard: 1-3/4" x 2-1/4" (45 mm x 57 mm)
- Standard bore holes: 2-1/8" (54 mm)



SQUARE CONTEMPORARY ROSE KIT *

STOCKED FINISHES

- Polished Chrome 26 (PC)
- Satin Nickel 15 (SN)
- Aged Bronze 10B (BRN)

SPECIAL ORDER FINISHES

- Satin Brass 4 (SB)
- Gun Metal (GM)
- Matte Black 19 (BLK)
- Satin Stainless 32D (SS)

BOX PACK	POLISHED CHROME 26	SATIN NICKEL 15	AGED BRONZE 10B
ROUND ROSE			
Privacy	30-D006324PC	30-D006324SN	30-D006324BRN
Passage	30-D006334PC	30-D006334SN	30-D006334BRN
Inside Trim - Left	30-HL0063PCL	30-HL0063SNL	30-HL0063BRNL
Inside Trim - Right	30-HL0063PCR	30-HL0063SNR	30-HL0063BRNR
Dummy - Left	30-634PCL	30-634SNL	30-634BRNL
Dummy - Right	30-634PCR	30-634SNR	30-634BRNR
SQUARE CONTEMPORARY ROSE KIT*			
Privacy	30-SQR0024PC	30-SQR0024SN	30-SQR0024BRN
Passage	30-SQR0034PC	30-SQR0034SN	30-SQR0034BRN
Inside Trim / Dummy	30-SQR0044PC	30-SQR0044SN	30-SQR0044BRN

* Not available in Special Order Finishes

HOW TO SPECIFY SPECIAL ORDER FINISHES

Please contact your Taymor Sales Representative for pricing, samples, and minimum order quantities.

To determine the item code for a special order finish product, simply add the finish code at the end of the product SKU as shown below:

FINISH	FINISH CODE
Satin Brass 4	SB
Dark Bronze 10B	DB
Gun Metal	GM
Polished Chrome 26	PC
Matte Black 19	BLK
Satin Nickel 15	SN
Satin Stainless 32D	SS
Satin Chrome 26D	SC

30	-	D006464	SB
LINE CODE		SKU	FINISH CODE

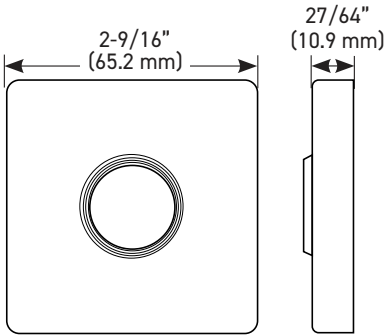
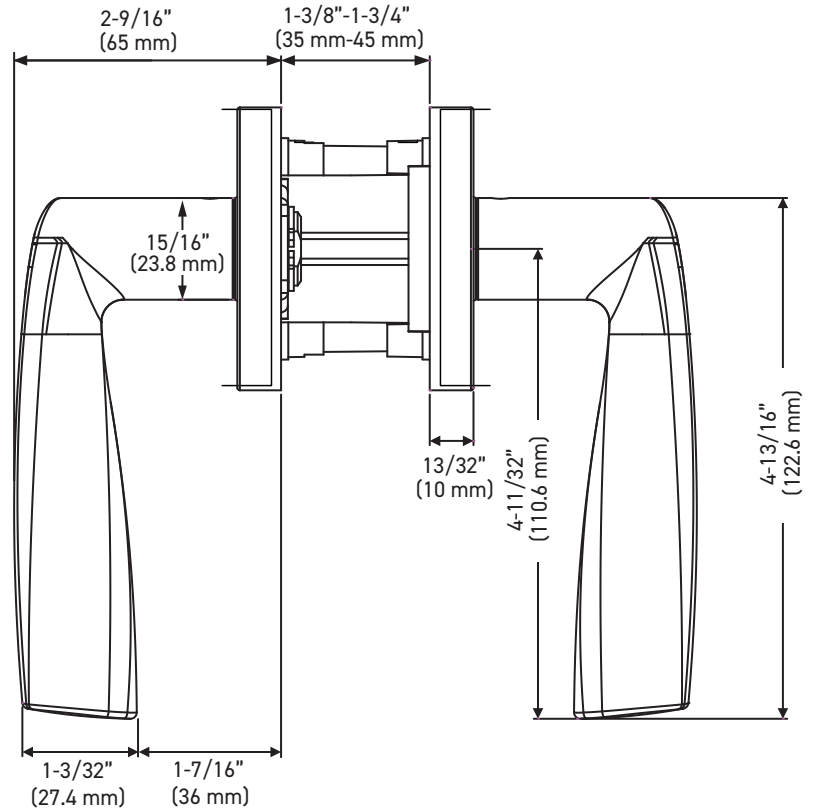
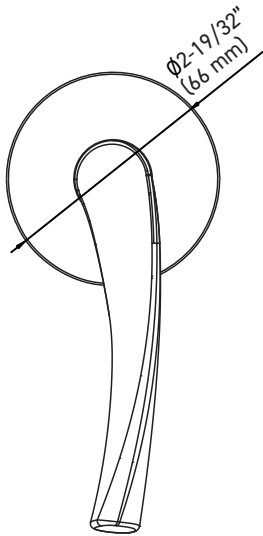
30-D006464SB

Example of the item codes for the Vega Round Rose Lever in Satin Brass:

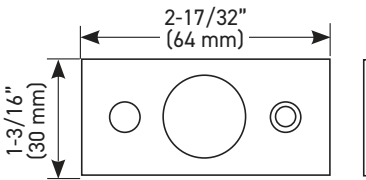
FUNCTIONS	LINE CODE	SKU	FINISH CODE	ITEM CODE
Privacy	30	D006424	SB	30-D006424SB
Passage 🔥	30	D006434	SB	30-D006434SB
Inside Trim	30	HL0064	SB	30-HL0064SB
Dummy	30	644	SB	30-644SB

ADDITIONAL DETAILS

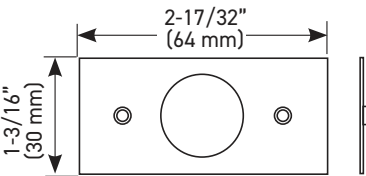
- Special order products are not eligible for return or exchange
- Lead times may vary
- Minimum order quantities apply



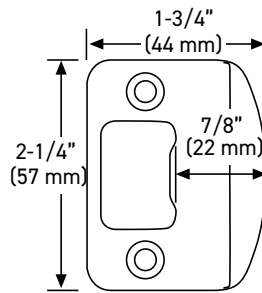
OPTIONAL SQUARE CONTEMPORARY ROSE KIT



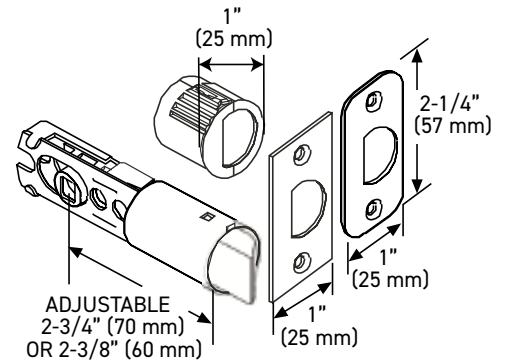
INTERIOR BRACKET



EXTERIOR BRACKET



FULL LIP RADIUS STRIKE



6-IN1 PRIVACY/PASSAGE LATCH

MEASUREMENTS SUBJECT TO A 3% VARIANCE. MEASUREMENTS ARE FOR REFERENCE ONLY. TAYMOR RESERVES THE RIGHT TO CHANGE PRODUCT SPECS WITHOUT NOTICE.