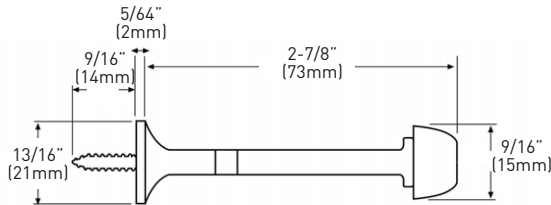


SPRING STOP

› STEEL SPRING WIRE

	PKG	POLISHED BRASS 3	OIL RUBBED BRONZE 10B	SATIN NICKEL 15	NICKEL 26	ANTIQUE NICKEL 17A	MATTE BLACK 19	SATIN CHROME 26D	CASE QTY.
3-1/8" (79 mm)	BB50	25-4671B	25-4671ORB	25-4671SN	25-4671N	25-4671AN	-	25-4671SC	50
	PB	25-P4671B	25-P4671ORB	25-P4671SN	25-P4671N	25-P4671AN	25-P4671BLK	25-P4671SC	50
3-3/4" (95 mm)	BB50	-	-	25-4674SN	25-4674N	-	-	25-4674SC	50

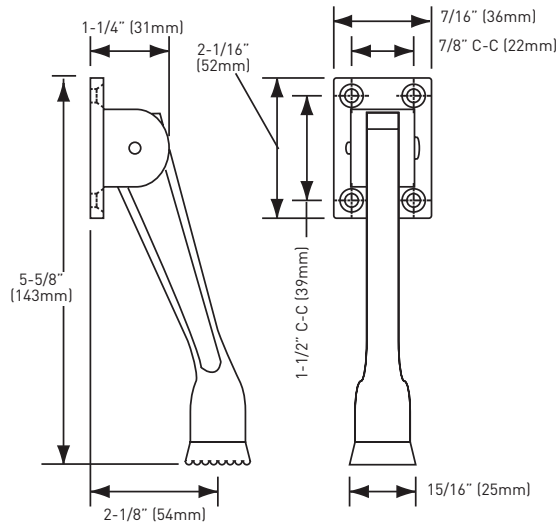
BB50 = BULK, BAGS OF 50; PB = POLY BAGGED WITH UPC



SOLID WALL STOP

› ZINC DIE-CAST CONSTRUCTION

POLY-BAG WITH UPC	10B OIL RUBBED BRONZE	15 SATIN NICKEL	NICKEL 26	26D SATIN CHROME	CASE QTY.
2-7/8" (73 mm)	25-P4679ORB	25-P4679SN	25-P4679N	25-P4679SC	50



ELEPHANT STOP

› MOUNTING SCREWS INCLUDED

› CAST IRON

	PKG	SILVER FINISH	REPLACEMENT RUBBER TIP	CASE QTY.
5-5/8" (143 mm)	POLY BAGGED WITH UPC	25-4650SR		10
RUBBER TIP	BULK		25-R4650T	100

PB = POLY BAGGED WITH UPC; BK = BULK

MEASUREMENTS SUBJECT TO A 3% VARIANCE

MEASUREMENTS ARE FOR REFERENCE ONLY. TAYMOR RESERVES THE RIGHT TO CHANGE THE PRODUCT SPECS WITHOUT NOTICE. FOR PRODUCT WARRANTY, PLEASE VISIT TAYMOR WEBSITE FOR DETAILS