

VERTICAL ROD TYPE EXIT DEVICE



RIM TYPE EXIT DEVICE

- > SPECIFICATION: MEETS OR EXCEEDS BHMA/ANSI GRADE 1
- > TYPE: 9700 SERIES SAFETY RATED, F9700 SERIES FIRE RATED
- > CERTIFICATION: C-UL LISTED, UL 10C 3 HOURS FOR FIRE RATED
- > MODELS: RIM & SURFACE VERTICAL ROD
- > FINISH: MATTE BLACK (19) AND STAINLESS STEEL (32D)
- > INSTALLATION: 28" TO 48" WOOD OR HOLLOW METAL DOORS, RETROFIT 161 DOOR PREP
- > DOOR SIZES: MIMIMUM = 28" x 84"; MAXIUMUM = 48" x 96"
MAXIMUM CUT-DOWN OF BAR WIDTH = 8" (28" TOTAL WIDTH)
- > TRIMS: PLEASE REFER TO THE ACCESSORIES PAGE
- > 10 YEAR MECHANICAL WARRANTY

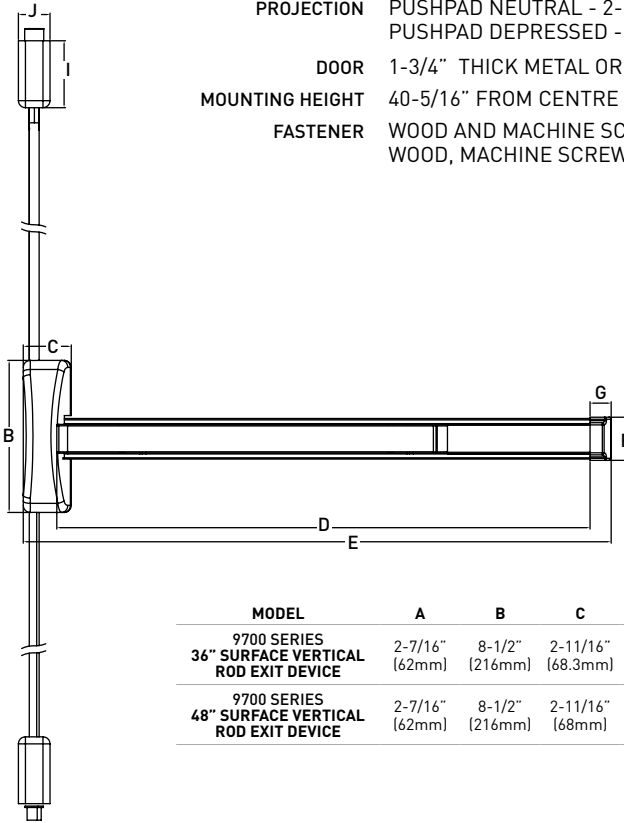
SAFETY RATED

	19 MATTE BLACK	32D STAINLESS STEEL	CASE PACK
9700 SERIES SAFETY RATED RIM EXIT DEVICE FOR 28" - 36" DOOR (71cm - 91cm)	17-9736BLK	17-9736SSS	2
9700 SERIES SAFETY RATED SURFACE VERTICAL ROD EXIT DEVICE FOR 28" - 36" DOOR (71cm - 91cm)	17-9736VBLK	17-9736VSSS	2
9700 SERIES SAFETY RATED RIM EXIT DEVICE FOR 37" - 48" DOOR (94cm - 122cm)	17-9748BLK	17-9748SSS	2
9700 SERIES SAFETY RATED SURFACE VERTICAL ROD EXIT DEVICE FOR 37" - 48" DOOR (94cm - 122cm)	17-9748VBLK	17-9748VSSS	2

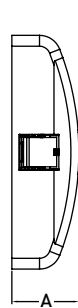
FIRE RATED

9700 SERIES FIRE RATED RIM EXIT DEVICE FOR 28" - 36" DOOR (71cm - 91cm)	17-F9736BLK	17-F9736SSS	2
9700 SERIES FIRE RATED SURFACE VERTICAL ROD EXIT DEVICE FOR 28" - 36" DOOR (71cm - 91cm)	17-F9736VBLK	17-F9736VSSS	2
9700 SERIES FIRE RATED RIM EXIT DEVICE FOR 37" - 48" DOOR (94cm - 122cm)	17-F9748BLK	17-F9748SSS	2
9700 SERIES FIRE RATED SURFACE VERTICAL ROD EXIT DEVICE FOR 37" - 48" DOOR (94cm - 122cm)	17-F9748VBLK	17-F9748VSSS	2

MATERIAL HEAVY DUTY STEEL PRESSED
DOGGING FEATURE QUARTER TURN HEX KEY (SAFETY RATED ONLY)
PROJECTION PUSH PAD NEUTRAL - 2-1/2"
 PUSH PAD DEPRESSED - 1-7/8"
DOOR 1-3/4" THICK METAL OR WOOD DOORS
MOUNTING HEIGHT 40-5/16" FROM CENTRE LINE TO FINISHED FLOOR RECOMMENDED
FASTENER WOOD AND MACHINE SCREWS FOR 9700 NON-FIRE RATED
 WOOD, MACHINE SCREWS AND THROUGH BOLTS FOR 9700 FIRE RATED



MODEL	A	B	C	D	E	F	G	H	I	J
9700 SERIES 36" SURFACE VERTICAL ROD EXIT DEVICE	2-7/16" (62mm)	8-1/2" (216mm)	2-11/16" (68.3mm)	29-7/8" (758mm)	32-7/8" (836mm)	2-7/16" (61mm)	1-3/16" (30mm)	2-1/2" (64mm)	3-3/4" (95mm)	1-3/4" (45mm)
9700 SERIES 48" SURFACE VERTICAL ROD EXIT DEVICE	2-7/16" (62mm)	8-1/2" (216mm)	2-11/16" (68mm)	41-21/32" (1063mm)	44-23/32" (1141mm)	2-7/16" (61mm)	1-3/16" (30mm)	2-1/2" (64mm)	3-3/4" (95mm)	1-3/4" (45mm)



MODEL	A	B	C	D	E	F	G
9700 SERIES 36" RIM EXIT DEVICE	2-7/16" (62mm)	8-1/2" (216mm)	2-11/16" (68mm)	29-7/8" (758mm)	32-7/8" (836mm)	2-7/16" (61mm)	1-3/16" (30mm)
9700 SERIES 48" RIM EXIT DEVICE	2-7/16" (62mm)	8-1/2" (216mm)	2-11/16" (68mm)	41-21/32" (1063mm)	44-23/32" (1141mm)	2-7/16" (61mm)	1-3/16" (30mm)