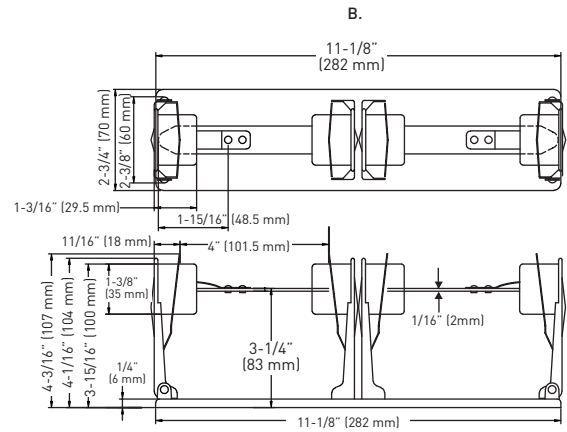
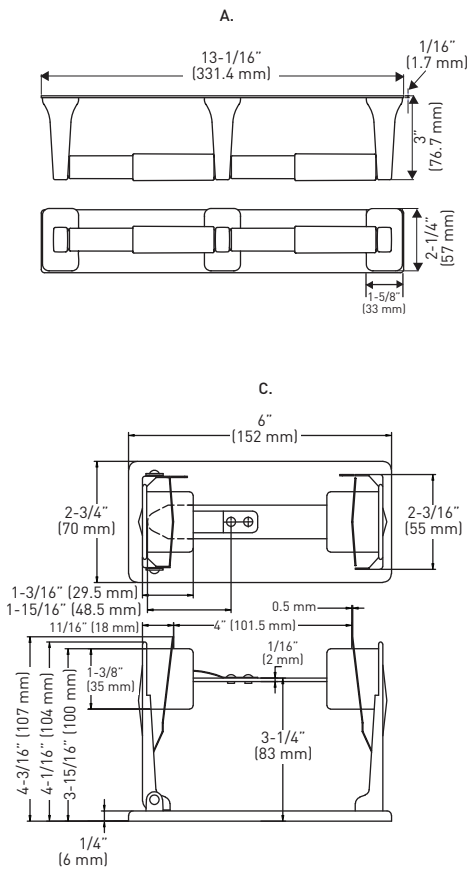
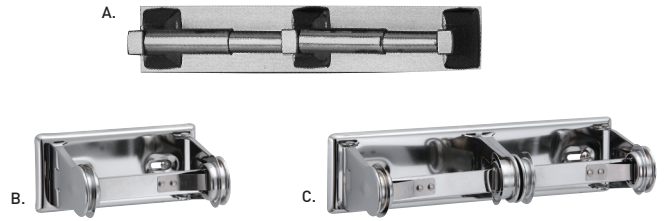


### FEATURES

- EXPOSED SURFACE MOUNT APPLICATION
- INCLUDES #10 x 1" [25 mm] MOUNTING SCREWS FOR SCREW-IN APPLICATION



MEASUREMENTS ARE FOR REFERENCE ONLY. TAYMOR RESERVES THE RIGHT TO CHANGE THE PRODUCT SPECS WITHOUT NOTICE. FOR PRODUCT WARRANTY, PLEASE VISIT TAYMOR WEBSITE FOR DETAILS.

DESCRIPTION   BUILDER PACK	POLISHED CHROME 26	MATERIAL	ROLLER	CASE QTY.
A. SURFACE MOUNT TWIN PAPER HOLDER	01-TW301S	ZINC	CH PLASTIC	20
B. SURFACE MOUNT SINGLE FIXED ROD PAPER HOLDER	01-F101S	STEEL	N/A	12
C. SURFACE MOUNT DOUBLE FIXED ROD PAPER HOLDER	01-F1030	STEEL	N/A	12

