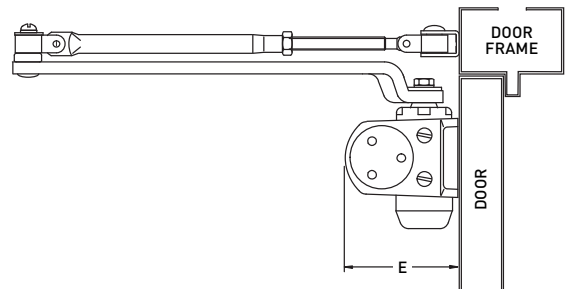
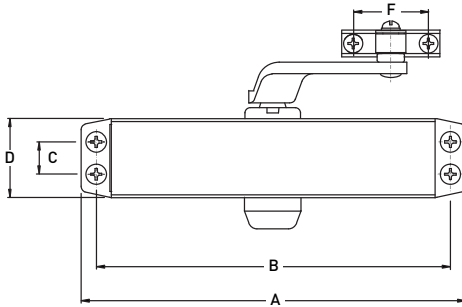


# DOOR CLOSERS

**690 SERIES**  
GRADE 3 - BUILDER PACK

**Taymor**



	A	B	C	D	E	F
14-693AL	9-1/16" [230 mm]	8-1/8" [206 mm]	3/4" [19 mm]	1-3/4" [44.5 mm]	2-7/8" [72 mm]	1-17/32" [39 mm]
14-694AL	9-3/4" [248 mm]	9-1/16" [230 mm]	3/4" [19 mm]	1-3/4" [44.5 mm]	2-7/8" [72 mm]	1-17/32" [39 mm]

## FEATURES

- BHMA/ANSI 156.4 GRADE 3
- UL LISTED COMPLIANT UL10C FOR POSITIVE PRESSURE
- HIGH STRENGTH ALUMINUM ALLOY BODY
- NON-HANDED
- THREE INDEPENDENT ADJUSTABLE VALVES CONTROL BACKCHECK, SWEEPING AND LATCHING SPEED
- UNIVERSAL MOUNTING (REGULAR AND PARALLEL BRACKETS INCLUDED)
- SUPPLIED WITH BOTH MACHINE AND WOOD SCREWS
- STABLE HYDRAULIC FLUID FOR ANY CLIMATE OPERATION & CONSTANT LUBRICATION FROM -30°C TO +40°C
- 5 YEAR MECHANICAL AND 1 YEAR FINISH WARRANTY

SIZE	MAXIMUM RECOMMENDED DOOR SIZE & WEIGHT	ALUMINUM	CASE PACK
3	38" x 84" - (95 cm x 210 cm) 100-187 lbs / (45-85 kg)	14-693AL	6
4	42" x 96" - (105 cm x 240 cm) 144-220 lbs / (65-100 kg)	14-694AL	6