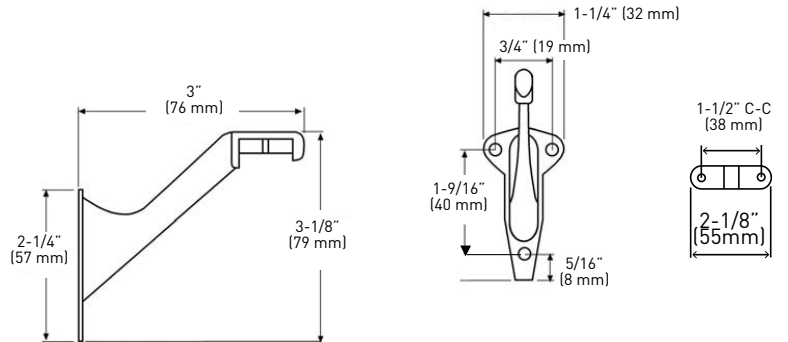


HANDRAIL BRACKETS

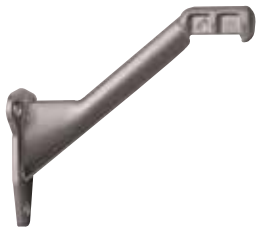


HANDRAIL BRACKET

- > PROJECTION FROM WALL IS 3" (76 mm)
- > ZINC DIE-CAST CONSTRUCTION
- > INCLUDES MOUNTING SCREWS

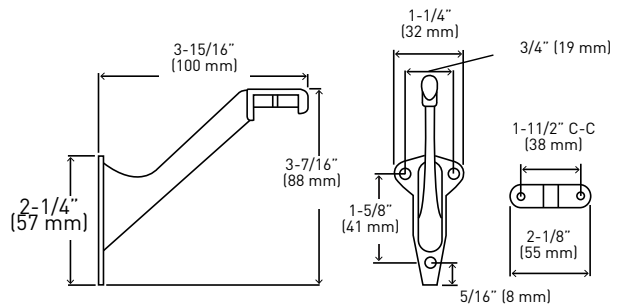


| POLY BAGGED WITH UPC | 3 POLISHED BRASS | 10B OIL RUBBED BRONZE | 15 SATIN NICKEL | 17A ANTIQUE NICKEL | 26D SATIN CHROME | CASE PACK |
|----------------------|------------------------|-----------------------------|-----------------------|--------------------------|------------------------|--------------|
| HANDRAIL BRACKET | 25-P6350B | 25-P63500RB | 25-P6350SN | 25-P6350AN | 25-P6350SC | 25 |



50 mm CLEARANCE HANDRAIL BRACKET

- > PROJECTION FROM WALL IS 3-15/16" (100 mm)
- > ZINC DIE-CAST CONSTRUCTION
- > INCLUDES MOUNTING SCREWS

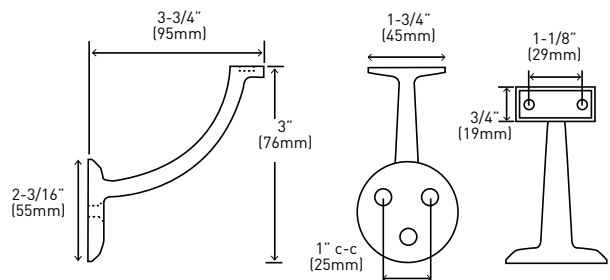


| POLY BAGGED WITH UPC | 3 POLISHED BRASS | 10B OIL RUBBED BRONZE | 15 SATIN NICKEL | NICKEL | 17A ANTIQUE NICKEL | 19 MATTE BLACK | 26D SATIN CHROME | CASE PACK |
|----------------------|------------------------|-----------------------------|-----------------------|-----------|--------------------------|----------------------|------------------------|--------------|
| HANDRAIL BRACKET | 25-P6360PB | 25-P63600RB | 25-P6360SN | 25-P6360N | 25-P6360AN | 25-P6360BLK | 25-P6360SC | 15 |



50 mm CLEARANCE HEAVY DUTY HANDRAIL BRACKET

- > PROJECTION FROM WALL IS 3-15/16" (100 mm)
- > ZINC DIE-CAST CONSTRUCTION
- > INCLUDES MOUNTING SCREWS



| POLY BAGGED WITH UPC | 10B OIL RUBBED BRONZE | 15 SATIN NICKEL | 19 MATTE BLACK | 26D SATIN CHROME | CASE PACK |
|--------------------------------|-----------------------------|-----------------------|----------------------|------------------------|--------------|
| HEAVY DUTY HANDRAIL BRACKET | 25-P63700RB | 25-P6370SN | 25-P6370BLK | 25-P6370SC | 5 |

