

SPECIFICATIONS

- NEW ENHANCEMENTS** ULTRA-HEAVY DUTY ACTUATING MECHANISM
- COMPATIBILITY** ALL 8500 & 9700 SERIES PUSH PAD EXIT DEVICES)
- FUNCTIONS** ENTRY*, STOREROOM
- CYLINDER** RIM CYLINDER WITH 6 PIN SCHLAGE 'C' KEYWAY FOR STOREROOM FUNCTION MORTISE CYLINDER (1-1/8" DEPTH) WITH 6 PIN SCHLAGE 'C' KEYWAY FOR ENTRY FUNCTION

*ENTRY FUNCTION ALSO SERVES AS CLASSROOM FUNCTION



BALL KNOB TRIM

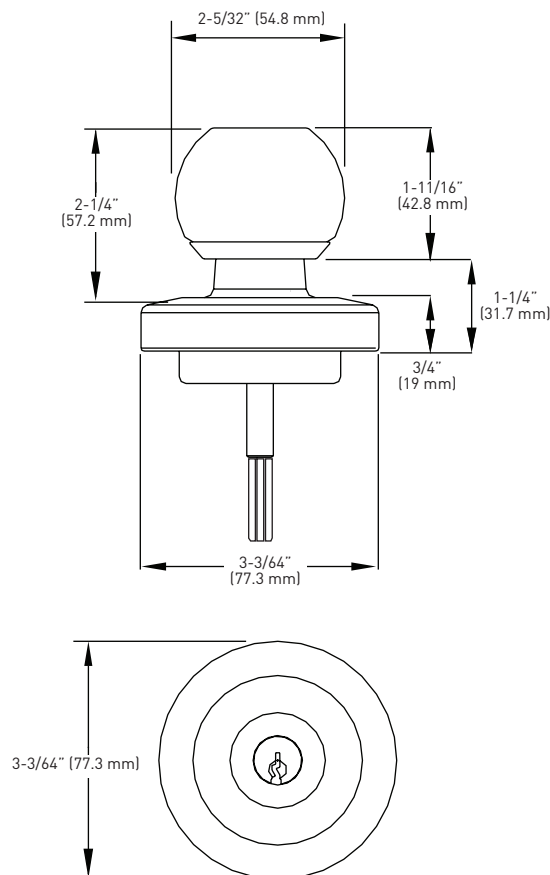


5 YEAR MECHANICAL WARRANTY



FULL KEYING SERVICES AVAILABLE

6-pin SC4 keyway, packaged keyed different



BALL KNOB TRIMS	C32D SATIN STAINLESS STEEL	CASE QTY.
ENTRY FUNCTION* - SCHLAGE "C" KEYWAY	17-ENBKAL	6
STOREROOM FUNCTION - TRIM MOUNTING PLATE INCLUDED (17-PPMTMP)	17-SRBKAL	6