



## FEATURES

- Universal 6-in-1 latch: drive in, square and radius mortise with adjustable backset: 2-3/8" (60mm) - 2-3/4" (70mm)
- Push button auto-release on privacy function
- Meets ANSI/BHMA A156.2 Grade 3 Standards

## INSTALLATION

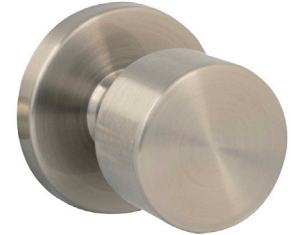
- Fits standard door thickness: 1-3/8" (35 mm) - 1-3/4" (45 mm)
- Full lip radius corner strike with adjustable tab standard: 1-3/4" x 2-1/4" (45 mm x 57 mm)
- Standard bore holes: 2-1/8" (54 mm)

## STOCKED FINISHES

- Matte Black 19 (BLK)
- Satin Nickel 15 (SN)

## SPECIAL ORDER FINISHES

- Satin Brass 4 (SB)
- Dark Bronze 10B (DB)
- Gun Metal (GM)
- Polished Chrome 26 (PC)
- Satin Stainless 32D (SS)



SQUARE CONTEMPORARY ROSE KIT \*

BOX PACK	MATTE BLACK 19	SATIN NICKEL 15
ROUND ROSE		
Privacy	30-D006124BLK	30-D006124SN
Passage 🔑	30-D006134BLK	30-D006134SN
Inside Trim	30-HL0061BLK	30-HL0061SN
Dummy	30-614BLK	30-614SN
SQUARE CONTEMPORARY ROSE KIT*		
Privacy	30-SQR0024BLK	30-SQR0024SN
Passage	30-SQR0034BLK	30-SQR0034SN
Inside Trim / Dummy	30-SQR0044BLK	30-SQR0044SN

\* Not available in Special Order Finishes

## HOW TO SPECIFY SPECIAL ORDER FINISHES

Please contact your Taymor Sales Representative for pricing, samples, and minimum order quantities.

To determine the item code for a special order finish product, simply add the finish code at the end of the product SKU as shown below:

FINISH	FINISH CODE
Satin Brass 4	<b>SB</b>
Dark Bronze 10B	<b>DB</b>
Gun Metal	<b>GM</b>
Polished Chrome 26	<b>PC</b>
Matte Black 19	<b>BLK</b>
Satin Nickel 15	<b>SN</b>
Satin Stainless 32D	<b>SS</b>
Satin Chrome 26D	<b>SC</b>

<b>30</b>	-	<b>D006464</b>	<b>SB</b>
LINE CODE		SKU	FINISH CODE

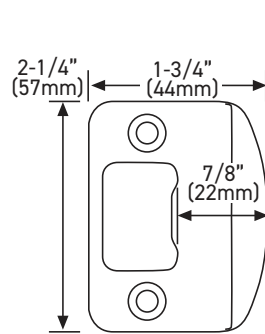
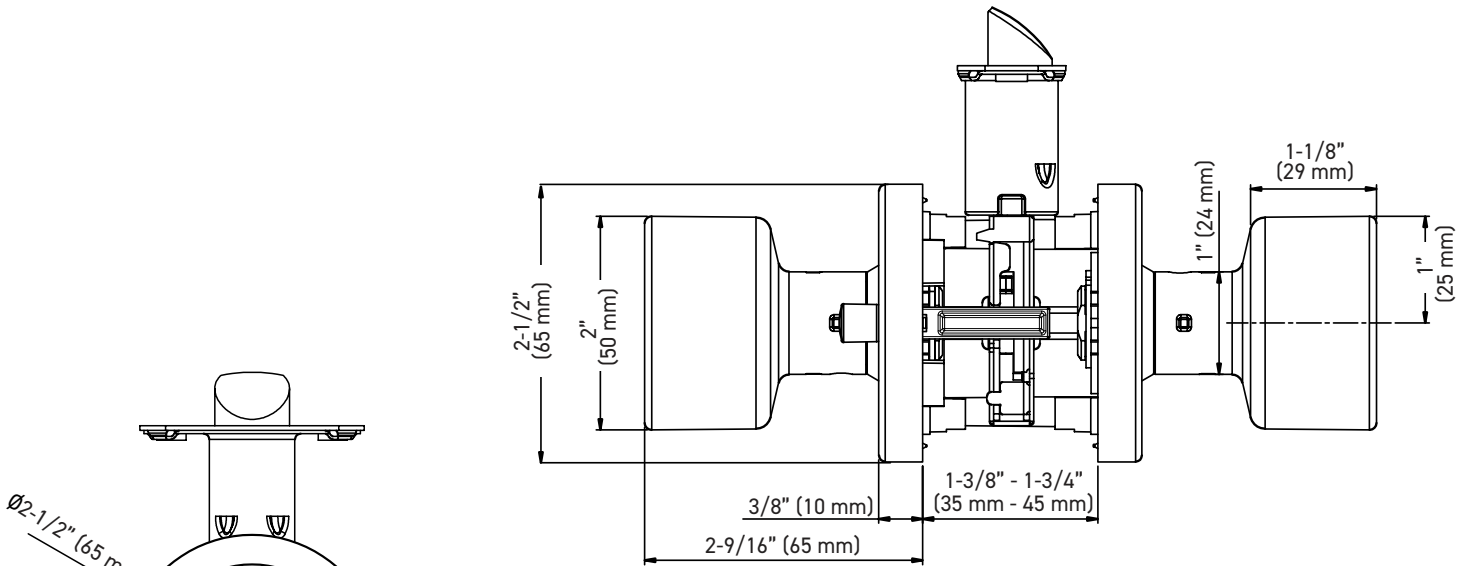
**30-D006464SB**

Example of the item codes for the Vega Round Rose Lever in Satin Brass:

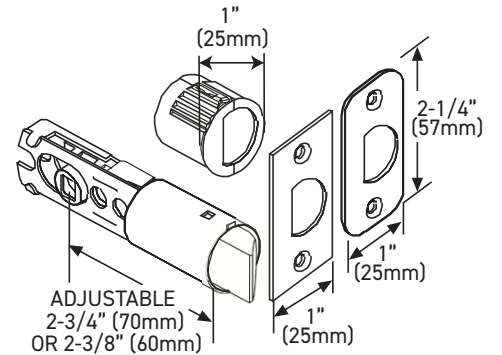
FUNCTIONS	LINE CODE	SKU	FINISH CODE	ITEM CODE
Privacy	30	D006424	SB	<b>30-D006424SB</b>
Passage 🔥	30	D006434	SB	<b>30-D006434SB</b>
Inside Trim	30	HL0064	SB	<b>30-HL0064SB</b>
Dummy	30	644	SB	<b>30-644SB</b>

### ADDITIONAL DETAILS

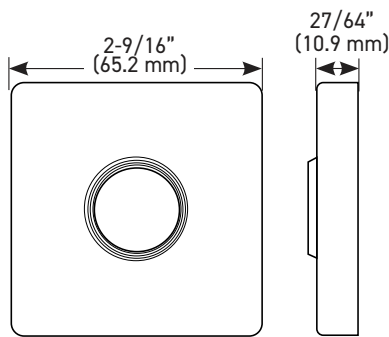
- Special order products are not eligible for return or exchange
- Lead times September vary
- Minimum order quantities apply



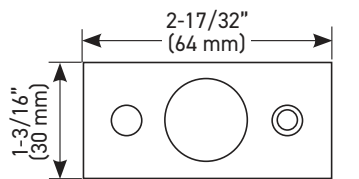
**FULL LIP RADIUS STRIKE**



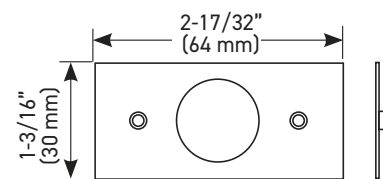
**6-IN1 PRIVACY/PASSAGE LATCH**



**OPTIONAL SQUARE CONTEMPORARY ROSE KIT**



**INTERIOR BRACKET**



**EXTERIOR BRACKET**

MEASUREMENTS SUBJECT TO A 3% VARIANCE. MEASUREMENTS ARE FOR REFERENCE ONLY. TAYMOR RESERVES THE RIGHT TO CHANGE PRODUCT SPECS WITHOUT NOTICE.