

<b>GRADE</b> <b>3</b>	<b>SC1</b> <b>KEYWAY</b>	MEETS ADA STANDARDS	REVERSIBLE PRODUCT	LIFETIME WARRANTY	<b>OPTIONAL</b>		
					20 min FIRE RATING AVAILABLE	FULL KEYING SERVICES AVAILABLE	EXTENSION KIT AVAILABLE

### FEATURES

- Universal 6-in-1 latch: drive in, square and radius mortise with adjustable backset: 2-3/8" (60mm) - 2-2/4" (70mm)
- 5-pin SC1 keyway with full keying services available
- Push button auto-release on privacy and keyed entry function
- Meets ANSI/BHMA A156.2 Grade 3 Standards

### INSTALLATION

- Fits standard door thickness: 1-3/8" (35 mm) - 1-3/4" (45 mm)
- Full lip radius corner strike with adjustable tab standard: 1-3/4" x 2-1/4" (45 mm x 57 mm)
- Standard bore holes: 2-1/8" (54 mm)

### STOCKED FINISHES

- Polished Chrome 26 (PC)
- Matte Black 19 (BLK)
- Satin Nickel 15 (SN)
- Satin Chrome 26D (SC)

### SPECIAL ORDER FINISHES

- Satin Brass 4 (SB)
- Dark Bronze 10B (DB)
- Gun Metal (GM)
- Satin Stainless 32D (SS)



SQUARE CONTEMPORARY ROSE KIT \*

BOX PACK	POLISHED CHROME 26	MATTE BLACK 19	SATIN NICKEL 15	SATIN CHROME 26D
ROUND ROSE				
Entry	30-D006264PC	30-D006264BLK	30-D006264SN	30-D006264SC
Privacy	30-D006224PC	30-D006224BLK	30-D006224SN	30-D006224SC
Passage	30-D006234PC	30-D006234BLK	30-D006234SN	30-D006234SC
Inside Trim	30-HL0062PC	30-HL0062BLK	30-HL0062SN	30-HL0062SC
Dummy	30-624PC	30-624BLK	30-624SN	30-624SC
SQUARE CONTEMPORARY ROSE KIT*				
Entry	30-SQR0064PC	30-SQR0064BLK	30-SQR0064SN	30-SQR0064SC
Privacy	30-SQR0024PC	30-SQR0024BLK	30-SQR0024SN	30-SQR0024SC
Passage	30-SQR0034PC	30-SQR0034BLK	30-SQR0034SN	30-SQR0034SC
Inside Trim / Dummy	30-SQR0044PC	30-SQR0044BLK	30-SQR0044SN	30-SQR0044SC

\* Not available in Special Order Finishes

## HOW TO SPECIFY SPECIAL ORDER FINISHES

Please contact your Taymor Sales Representative for pricing, samples, and minimum order quantities.

To determine the item code for a special order finish product, simply add the finish code at the end of the product SKU as shown below:

FINISH	FINISH CODE
Satin Brass 4	<b>SB</b>
Dark Bronze 10B	<b>DB</b>
Gun Metal	<b>GM</b>
Polished Chrome 26	<b>PC</b>
Matte Black 19	<b>BLK</b>
Satin Nickel 15	<b>SN</b>
Satin Stainless 32D	<b>SS</b>
Satin Chrome 26D	<b>SC</b>

<b>30</b>	-	<b>D006464</b>	<b>SB</b>
LINE CODE		SKU	FINISH CODE

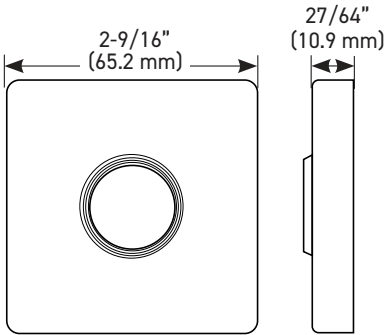
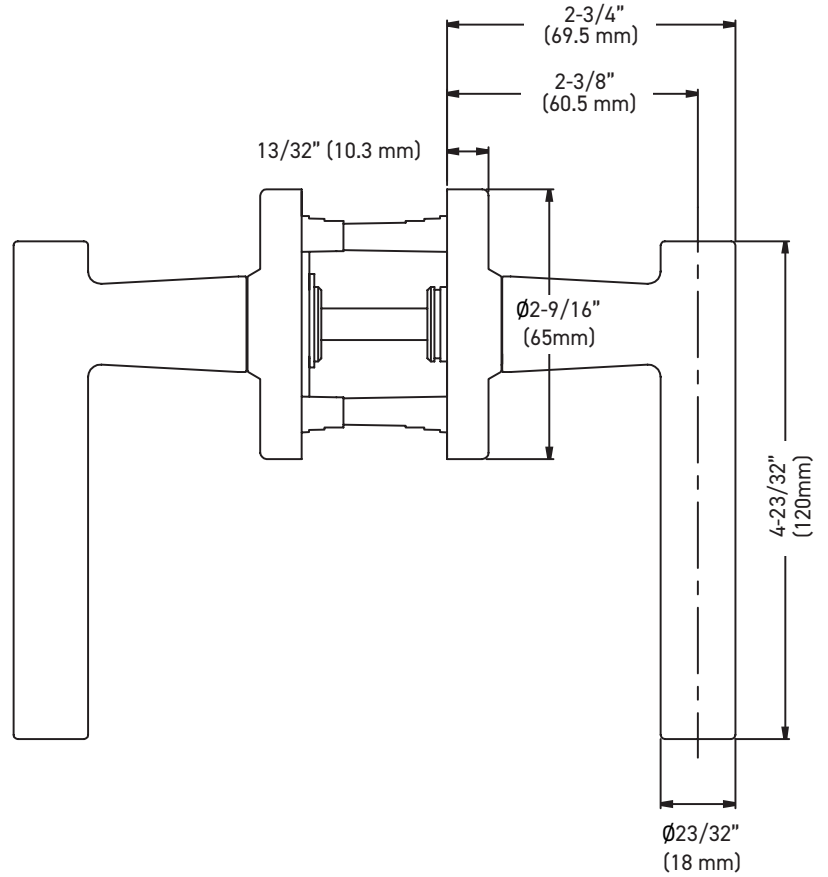
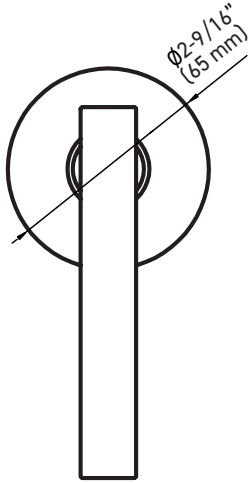
**30-D006464SB**

Example of the item codes for the Vega Round Rose Lever in Satin Brass:

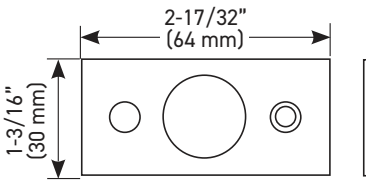
FUNCTIONS	LINE CODE	SKU	FINISH CODE	ITEM CODE
Entry	30	D006464	SB	<b>30-D006464SB</b>
Privacy	30	D006424	SB	<b>30-D006424SB</b>
Passage 🔥	30	D006434	SB	<b>30-D006434SB</b>
Inside Trim	30	HL0064	SB	<b>30-HL0064SB</b>
Dummy	30	644	SB	<b>30-644SB</b>

### ADDITIONAL DETAILS

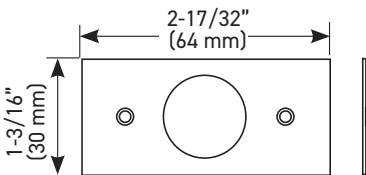
- Special order products are not eligible for return or exchange
- Lead times may vary
- Minimum order quantities apply



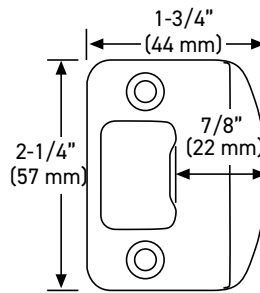
**OPTIONAL SQUARE CONTEMPORARY ROSE KIT**



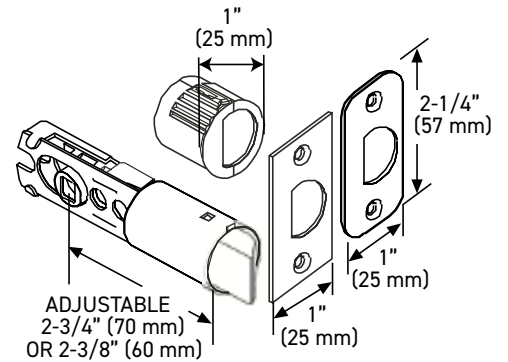
**INTERIOR BRACKET**



**EXTERIOR BRACKET**

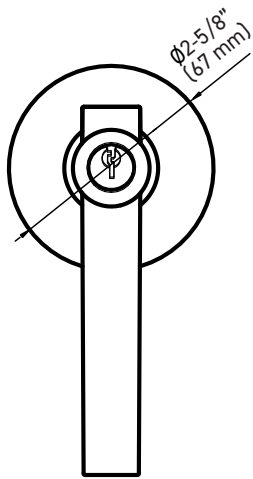


**FULL LIP RADIUS STRIKE**

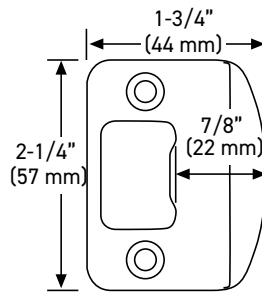
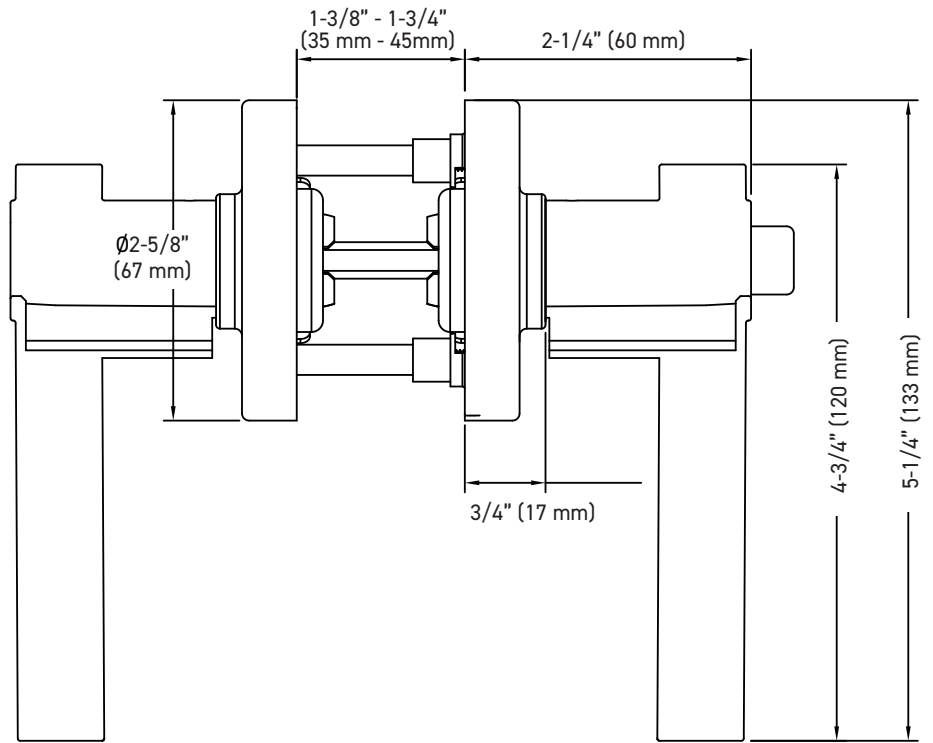


**6-IN1 PRIVACY/PASSAGE LATCH**

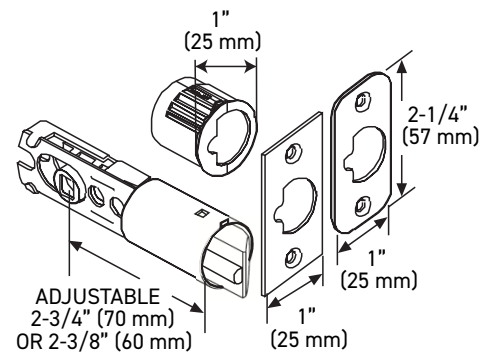
MEASUREMENTS SUBJECT TO A 3% VARIANCE. MEASUREMENTS ARE FOR REFERENCE ONLY. TAYMOR RESERVES THE RIGHT TO CHANGE PRODUCT SPECS WITHOUT NOTICE.



**ENTRY LEVER**



**FULL LIP RADIUS STRIKE**



**6-IN1 ENTRY LATCH**

MEASUREMENTS SUBJECT TO A 3% VARIANCE. MEASUREMENTS ARE FOR REFERENCE ONLY. TAYMOR RESERVES THE RIGHT TO CHANGE PRODUCT SPECS WITHOUT NOTICE.