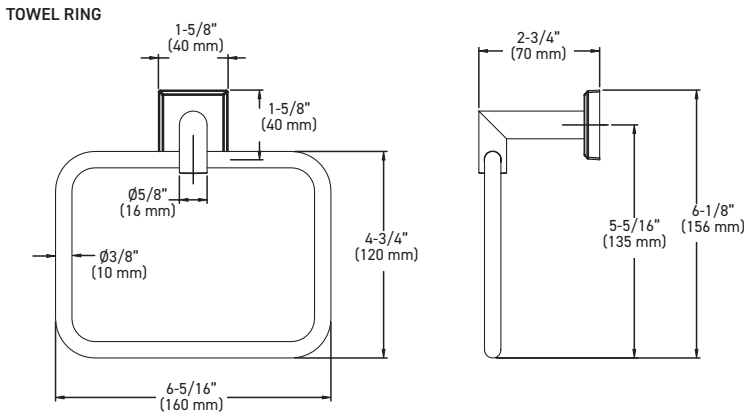
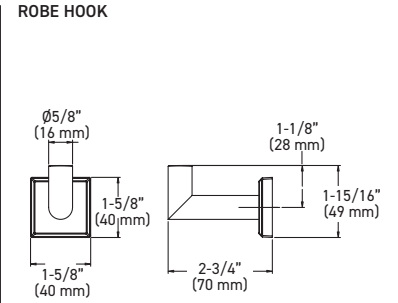
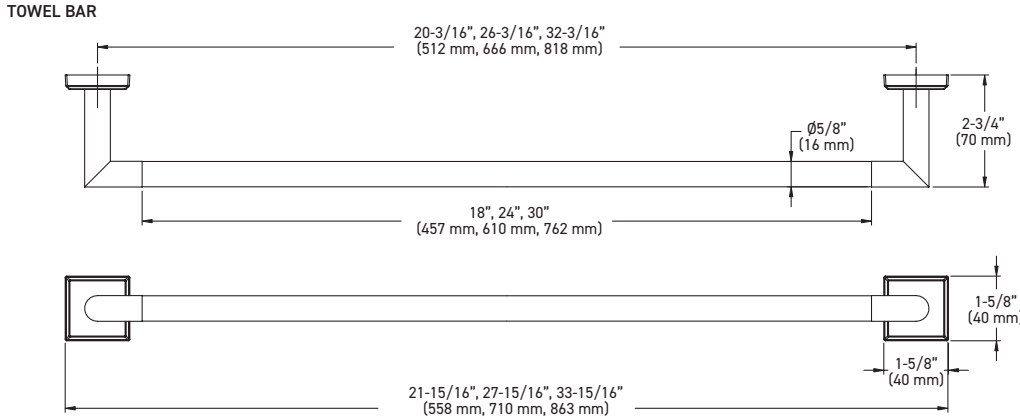
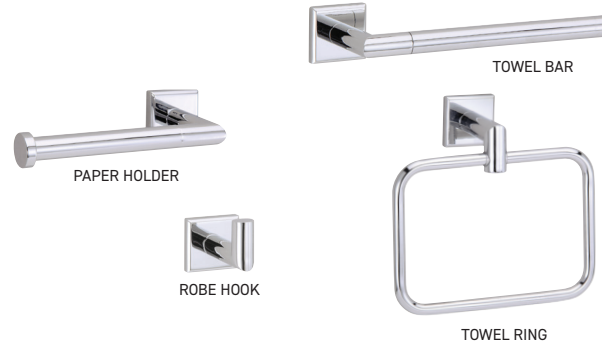
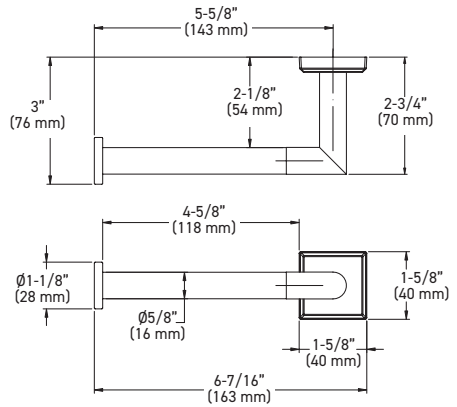


SPECIFICATIONS

- › INCLUDES MOUNTING PLATES - PAPER HOLDER: $\varnothing 1\text{-}1/4"$ ($\varnothing 32.7$ mm) - ZINC DIE CAST-OTHER ITEMS: $1\text{-}3/16"$ x $1\text{-}1/16"$ (30 mm x 27 mm) - STEEL
- › SOLID ZINC DIE-CAST CONSTRUCTION (POSTS)



PAPER HOLDER (LEFT HANDED) - CAN BE REVERSED ON SITE*



MEASUREMENTS SUBJECT TO A 3% VARIANCE

MEASUREMENTS ARE FOR REFERENCE ONLY. TAYMOR RESERVES THE RIGHT TO CHANGE THE PRODUCT SPECS WITHOUT NOTICE. FOR PRODUCT WARRANTY, PLEASE VISIT TAYMOR WEBSITE FOR DETAILS

BOX PACK	SATIN NICKEL 15	MATTE BLACK 19	POLISHED CHROME 26	MATERIAL	CASE QTY
18" TOWEL BAR	04-5518SN	04-5518BLK	04-5518	ZINC/STEEL	10
24" TOWEL BAR	04-5524SN	04-5524BLK	04-5524	ZINC/STEEL	10
30" TOWEL BAR	04-5530SN	04-5530BLK	04-5530	ZINC/STEEL	10
ROBE HOOK	04-5501SN	04-5501BLK	04-5501	ZINC/STEEL	10
TOWEL RING	04-5504SN	04-5504BLK	04-5504	ZINC/STEEL	10
PAPER HOLDER*	04-5548SN	04-5548BLK	04-5548	ZINC/STEEL	10