

### SPECIFICATIONS

- UNIVERSAL 6-IN-1 LATCH: DRIVE IN, SQUARE MORTISE AND RADIUS CORNER WITH ADJUSTABLE BACKSET: 2-3/8" (60 mm) – 2-3/4" (70 mm)
- STANDARD BORE HOLES: 2-1/8" (54 mm)
- FITS STANDARD DOOR THICKNESS: 1-3/8" (35 mm) – 1-3/4" (45 mm)
- FULL LIP RADIUS CORNER STRIKE WITH ADJUSTABLE TAB STANDARD: 1-3/4" x 2-1/4" (45 mm x 57 mm)

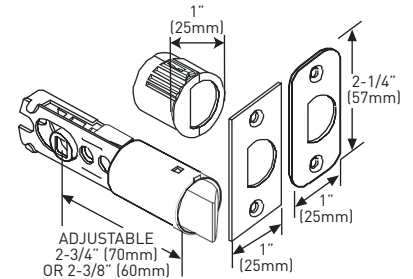
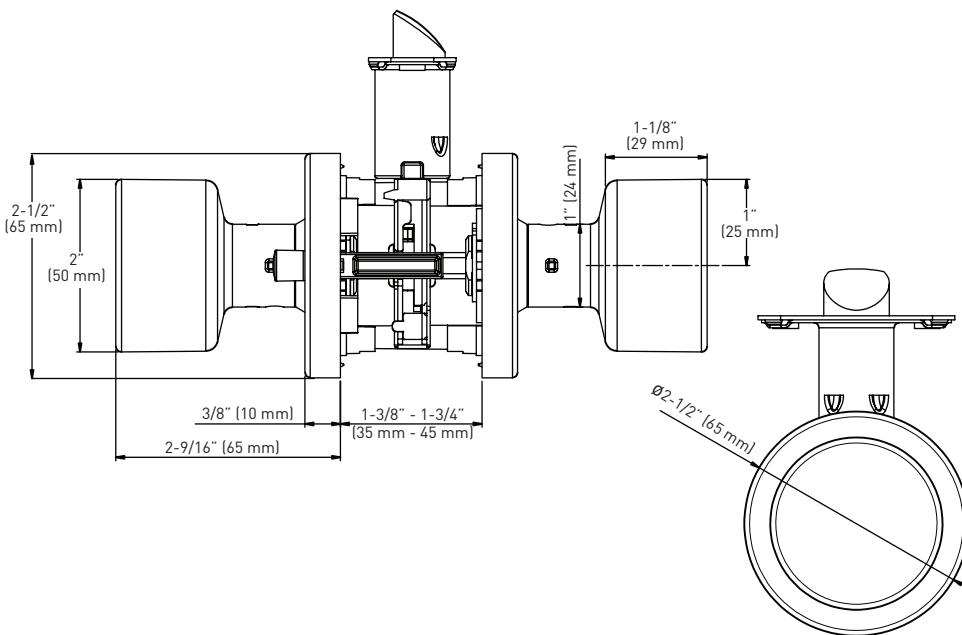


GRADE 3

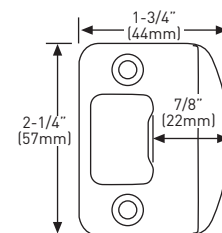
ANSI GRADE 3



LIFETIME MECHANICAL & FINISH WARRANTY



6-IN-1 PRIVACY/PASSAGE LATCH



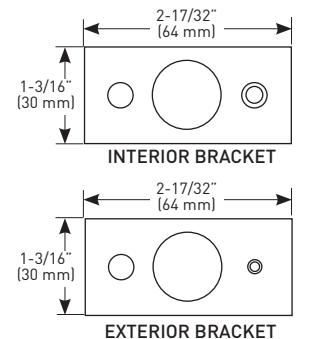
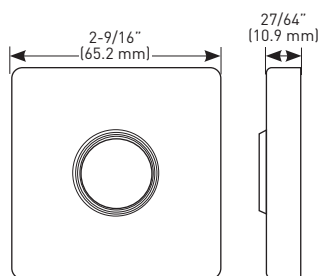
FULL LIP RADIUS STRIKE

BUILDER PACK	MATTE BLACK 19	CASE QTY
Privacy	30-D006124BLK	20
Passage	30-D006134BLK	20
Inside trim	30-HL0061BLK	20
Dummy	30-614BLK	20

### SQUARE ROSE KIT OPTION



SQUARE CONTEMPORARY ROSE KIT



BUILDER PACK	MATTE BLACK 19	CASE QTY
Privacy	30-SQR0024BLK	10
Passage	30-SQR0034BLK	10
Dummy/Inside trim	30-SQR0044BLK	10

MEASUREMENTS SUBJECT TO A 3% VARIANCE

MEASUREMENTS ARE FOR REFERENCE ONLY. TAYMOR RESERVES THE RIGHT TO CHANGE THE PRODUCT SPECS WITHOUT NOTICE. FOR PRODUCT WARRANTY, PLEASE VISIT TAYMOR WEBSITE FOR DETAILS

