

Taymor | PRODUCT SPECIFICATIONS

THE PREMIER LINE BERGEN LEVERSET


SPECIFICATIONS

- UNIVERSAL 6-IN-1 LATCH: DRIVE IN, SQUARE MORTISE AND RADIUS CORNER WITH ADJUSTABLE BACKSET: 2-3/8" (60 mm) – 2-3/4" (70 mm)
- PUSH BUTTON AUTO-RELEASE ON PRIVACY AND KEYED ENTRY FUNCTION
- KEYING SERVICES AVAILABLE FOR ENTRY LEVER
- ANSI GRADE 3 COMPLIANT
- STANDARD BORE HOLES: 2-1/8" (54 mm)
- FITS STANDARD DOOR THICKNESS: 1-3/8" (35 mm) – 1-3/4" CH (45 mm)
- FULL LIP RADIUS CORNER STRIKE WITH ADJUSTABLE TAB STANDARD: 1-3/4" x 2-1/4" (45 mm x 57 mm)
- SQUARE ROSE KIT NOT COMPATIBLE WITH ENTRY FUNCTION
- LIFETIME MECHANICAL AND FINISH WARRANTY



GRADE 3
ANSI GRADE 3

LIFETIME MECHANICAL & FINISH WARRANTY

 FULL KEYING SERVICES AVAILABLE
5-PIN SC1 C KEYWAY

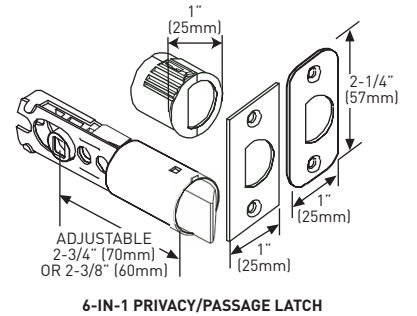
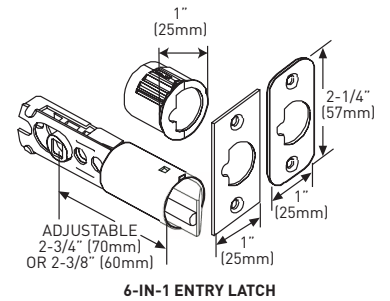
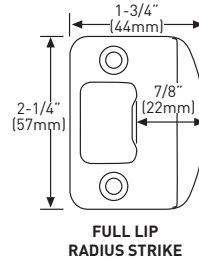
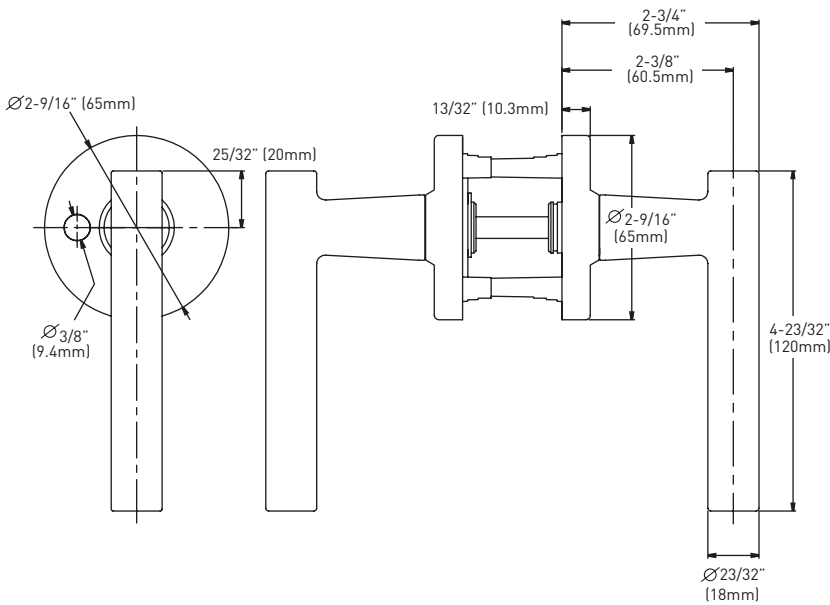
 SQUARE ROSE KIT OPTION

 2-1/4" OPTIONAL EXTENSION KIT

 20 MINUTE OPTIONAL FIRE RATING

 REVERSIBLE

 MEETS ADA STANDARDS

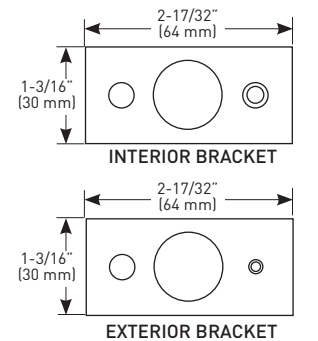
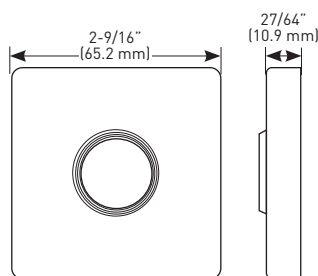


BERGEN BUILDER PACK

	ENTRY	PRIVACY	PASSAGE	INSIDE TRIM	DUMMY
SATIN NICKEL 15	30-D006264SN	30-D006224SN	30-D006234SN	30-HL0062SN	30-624SN
MATTE BLACK 19	30-D006264BLK	30-D006224BLK	30-D006234BLK	30-HL0062BLK	30-624BLK
POLISHED CHROME 26	30-D006264PC	30-D006224PC	30-D006234PC	30-HL0062PC	30-624PC

CASE QTY 20

SQUARE ROSE KIT OPTION



SQUARE CONTEMPORARY ROSE KIT

SQUARE ROSE KIT NOT COMPATIBLE WITH ENTRY FUNCTION

	ENTRY	PRIVACY	PASSAGE	DUMMY/INSIDE TRIM
SATIN NICKEL 15	30-SQR0064SN	30-SQR0024SN	30-SQR0034SN	30-SQR0044SN
MATTE BLACK 19	30-SQR0064BLK	30-SQR0024BLK	30-SQR0034BLK	30-SQR0044BLK
POLISHED CHROME 26	30-SQR0064PC	30-SQR0024PC	30-SQR0034PC	30-SQR0044PC

CASE QTY 10

MEASUREMENTS SUBJECT TO A 3% VARIANCE

MEASUREMENTS ARE FOR REFERENCE ONLY. TAYMOR RESERVES THE RIGHT TO CHANGE THE PRODUCT SPECS WITHOUT NOTICE. FOR PRODUCT WARRANTY, PLEASE VISIT TAYMOR WEBSITE FOR DETAILS

