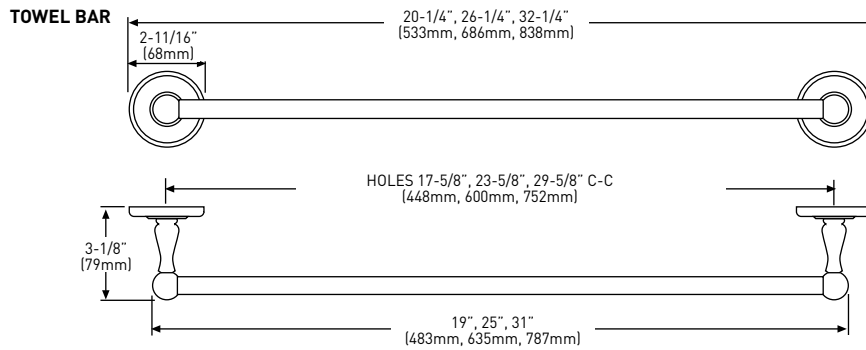
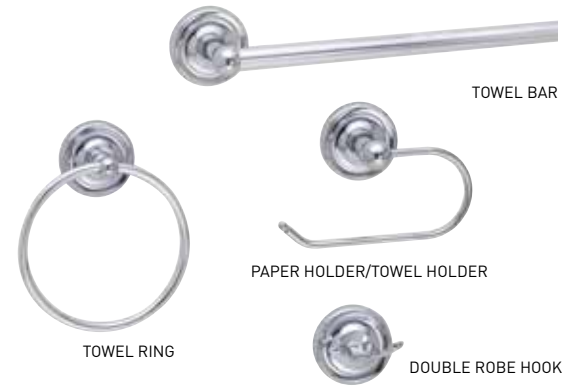
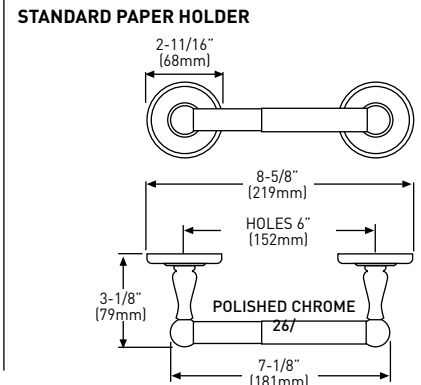
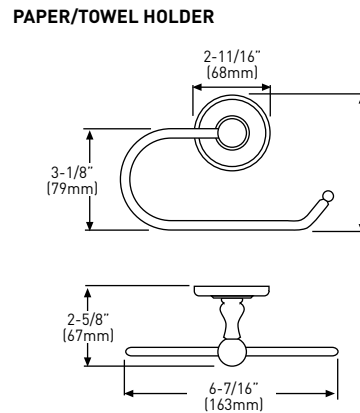
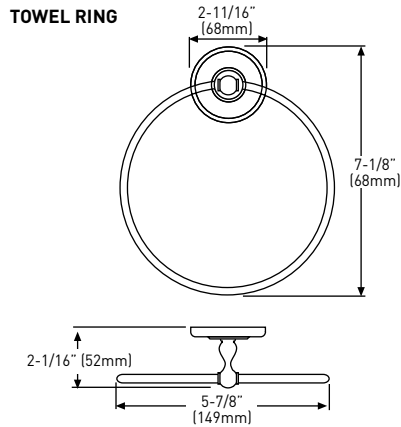
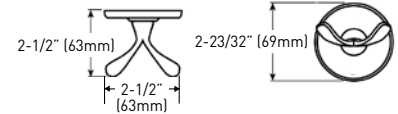


FEATURES

- INCLUDES MOUNTING PLATES — 2-5/32" [55mm] x 1" [25mm]; NYLON ANCHORS AND STEEL PHILLIPS HEAD SCREWS — #8 x 1-1/4" [32mm]
- ZINC DIE-CAST CONSTRUCTION (POSTS)



DOUBLE ROBE HOOK



MEASUREMENTS SUBJECT TO A 3% VARIANCE

MEASUREMENTS ARE FOR REFERENCE ONLY. TAYMOR RESERVES THE RIGHT TO CHANGE THE PRODUCT SPECS WITHOUT NOTICE. FOR PRODUCT WARRANTY, PLEASE VISIT TAYMOR WEBSITE FOR DETAILS

DESCRIPTION	OIL RUBBED BRONZE 10B	SATIN NICKEL 15	POLISHED CHROME 26	MATERIAL	CASE QTY.
18" x 3/4" TOWEL BAR	04-BRN7918	04-SN7918	04-7918	ZINC/ALUMINUM	10
24" x 3/4" TOWEL BAR	04-BRN7924	04-SN7924	04-7924	ZINC/ALUMINUM	10
30" x 3/4" TOWEL BAR	04-BRN7930	04-SN7930	04-7930	ZINC/ALUMINUM	10
DOUBLE ROBE HOOK	04-BRN7902	04-SN7902	04-7902	ZINC	10
TOWEL RING	04-BRN7904	04-SN7904	04-7904	ZINC/ALUMINUM	10
PAPER/TOWEL HOLDER	04-BRN7948	04-SN7948	04-7948	ZINC/ALUMINUM	10
STANDARD PAPER HOLDER	04-BRN7908	04-SN7908	04-7908	ZINC/PLASTIC	10