



FEATURES

- Universal 6-in-1 latch: drive in, square and radius mortise with adjustable backset: 2-3/8" (60mm) - 2-3/4" (70mm)
- Push button auto-release on privacy function
- Meets ANSI/BHMA A156.2 Grade 3 Standards

INSTALLATION

- Fits standard door thickness: 1-3/8" (35 mm) - 1-3/4" (45 mm)
- Full lip radius corner strike with adjustable tab standard: 1-3/4" x 2-1/4" (45 mm x 57 mm)
- Standard bore holes: 2-1/8" (54 mm)

STOCKED FINISHES

- Polished Chrome 26 (PC)
- Matte Black 19 (BLK)
- Satin Nickel 15 (SN)
- Satin Chrome 26D (SC)

SPECIAL ORDER FINISHES

- Satin Brass 4 (SB)
- Dark Bronze 10B (DB)
- Gun Metal (GM)
- Satin Stainless 32D (SS)



SQUARE CONTEMPORARY ROSE KIT*

BOX PACK	POLISHED CHROME 26	MATTE BLACK 19	SATIN NICKEL 15	SATIN CHROME 26D
ROUND ROSE				
Privacy	30-D006224PC	30-D006224BLK	30-D006224SN	30-D006224SC
Passage 🔥	30-D006234PC	30-D006234BLK	30-D006234SN	30-D006234SC
Inside Trim	30-HL0062PC	30-HL0062BLK	30-HL0062SN	30-HL0062SC
Dummy	30-624PC	30-624BLK	30-624SN	30-624SC
SQUARE CONTEMPORARY ROSE KIT*				
Privacy	30-SQR0024PC	30-SQR0024BLK	30-SQR0024SN	30-SQR0024SC
Passage	30-SQR0034PC	30-SQR0034BLK	30-SQR0034SN	30-SQR0034SC
Inside Trim / Dummy	30-SQR0044PC	30-SQR0044BLK	30-SQR0044SN	30-SQR0044SC

* Not available in Special Order Finishes

HOW TO SPECIFY SPECIAL ORDER FINISHES

Please contact your Taymor Sales Representative for pricing, samples, and minimum order quantities.

To determine the item code for a special order finish product, simply add the finish code at the end of the product SKU as shown below:

FINISH	FINISH CODE
Satin Brass 4	SB
Dark Bronze 10B	DB
Gun Metal	GM
Polished Chrome 26	PC
Matte Black 19	BLK
Satin Nickel 15	SN
Satin Stainless 32D	SS
Satin Chrome 26D	SC

30	-	D006464	SB
LINE CODE		SKU	FINISH CODE

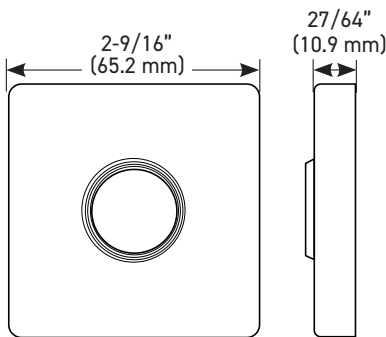
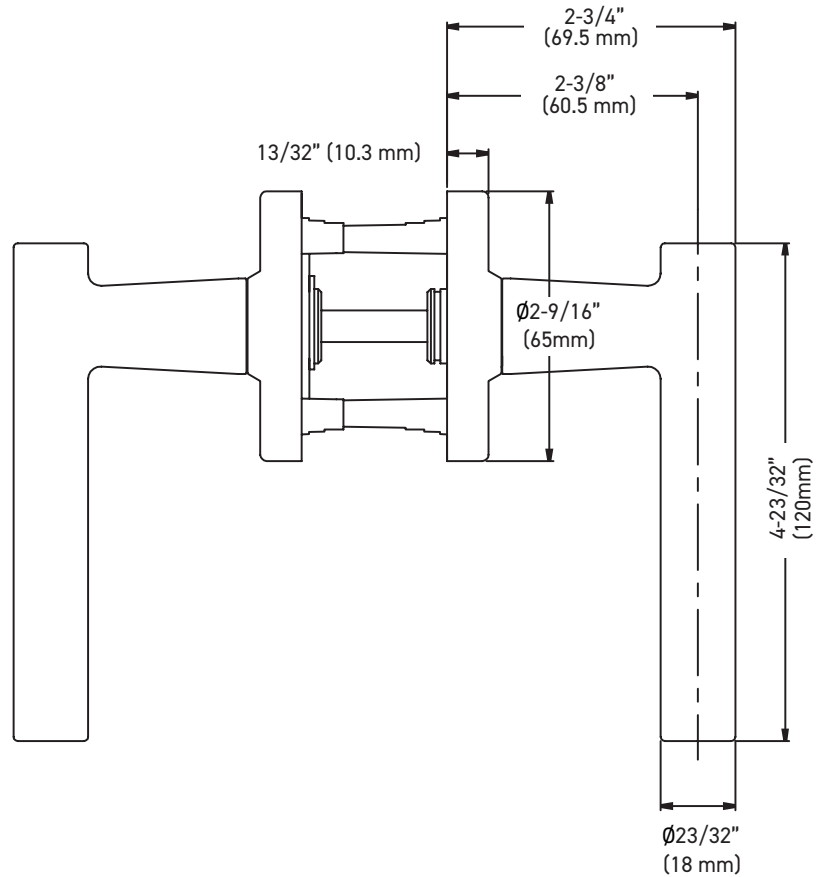
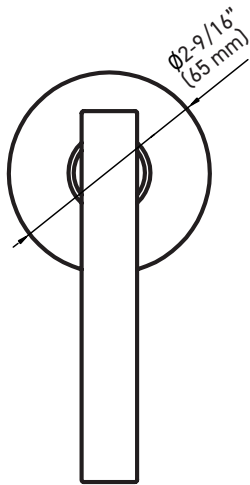
30-D006464SB

Example of the item codes for the Vega Round Rose Lever in Satin Brass:

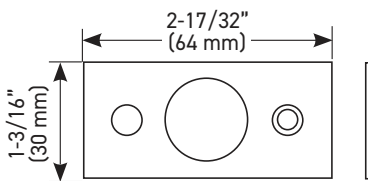
FUNCTIONS	LINE CODE	SKU	FINISH CODE	ITEM CODE
Privacy	30	D006424	SB	30-D006424SB
Passage 🔥	30	D006434	SB	30-D006434SB
Inside Trim	30	HL0064	SB	30-HL0064SB
Dummy	30	644	SB	30-644SB

ADDITIONAL DETAILS

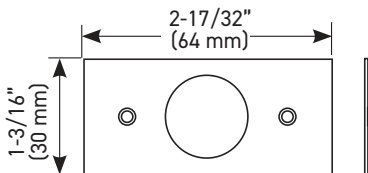
- Special order products are not eligible for return or exchange
- Lead times September vary
- Minimum order quantities apply



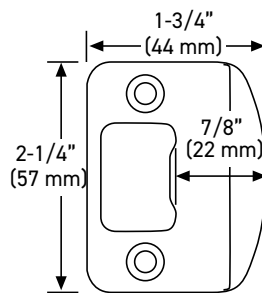
OPTIONAL SQUARE CONTEMPORARY ROSE KIT



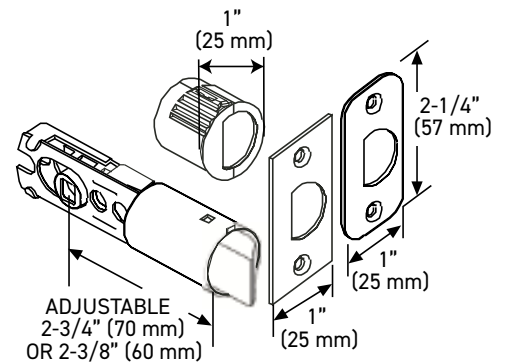
INTERIOR BRACKET



EXTERIOR BRACKET



FULL LIP RADIUS STRIKE



6-IN1 PRIVACY/PASSAGE LATCH

MEASUREMENTS SUBJECT TO A 3% VARIANCE. MEASUREMENTS ARE FOR REFERENCE ONLY. TAYMOR RESERVES THE RIGHT TO CHANGE PRODUCT SPECS WITHOUT NOTICE.