

# Taymor® | P R O D U C T SPECIFICATIONS

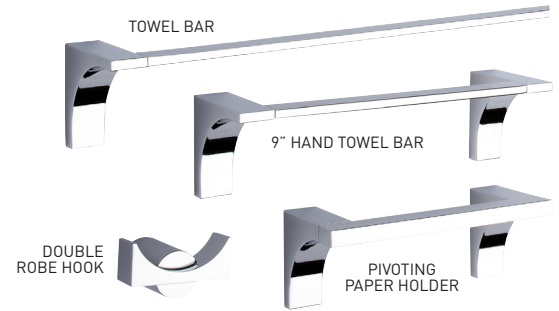
## ARC DECO

### FEATURES

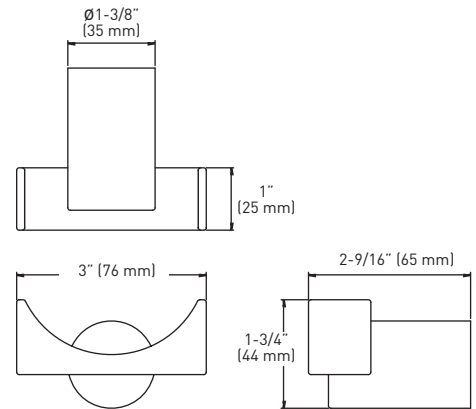
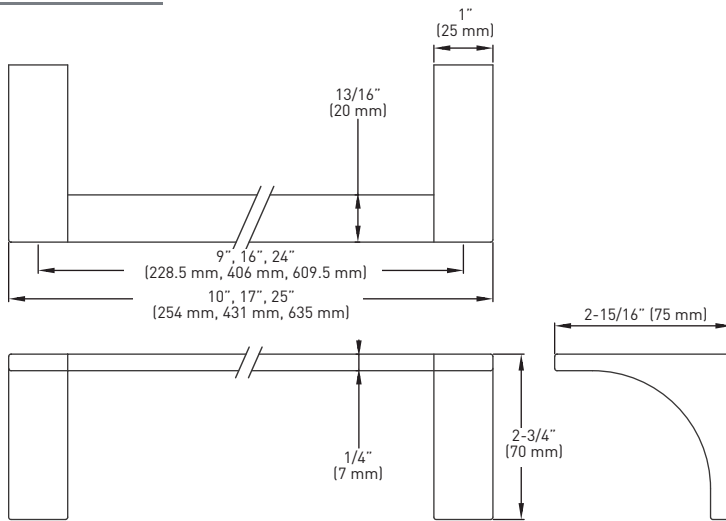
- › MOUNTING PLATES:
  - DOUBLE ROBE HOOK: 1-1/4" x 1" (31 mm x 25 mm) - ZINC
  - OTHER ITEMS: 13/16" x 2" x 1/4" (21 mm x 51 mm x 6 mm) - ZINC
- › NYLON ANCHORS
- › STEEL PHILLIPS HEAD SCREWS: #8 x 1-1/4" (32 mm)
- › ZINC DIE-CAST CONSTRUCTION (POSTS)
- › ONE PIECE DESIGN



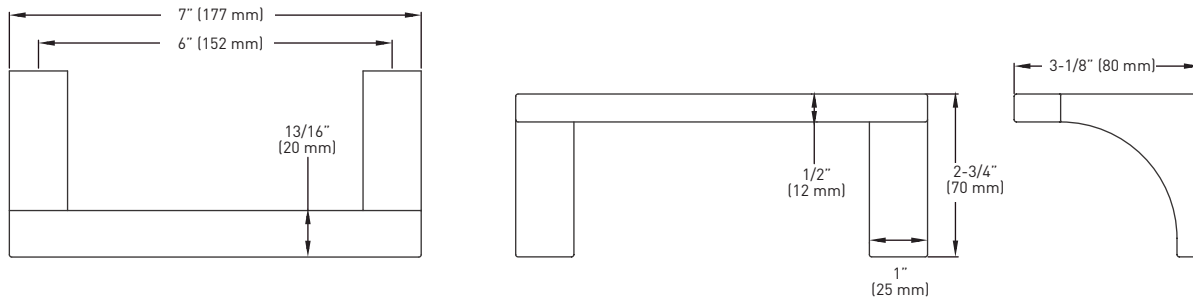
LIFETIME WARRANTY



### TOWEL BAR



### PIVOTING PAPER HOLDER



### MEASUREMENTS SUBJECT TO A 3% VARIANCE

MEASUREMENTS ARE FOR REFERENCE ONLY. TAYMOR RESERVES THE RIGHT TO CHANGE THE PRODUCT SPECS WITHOUT NOTICE. FOR PRODUCT WARRANTY, PLEASE VISIT TAYMOR WEBSITE FOR DETAILS

BUILDER PACK	MATTE BLACK 19	POLISHED CHROME 26	MATERIAL	CASE QTY.
9" HAND TOWEL BAR	04-17309BLK	04-17309	ZINC/STAINLESS STEEL	4
16" TOWEL BAR	04-17316BLK	04-17316	ZINC/STAINLESS STEEL	4
24" TOWEL BAR	04-17324BLK	04-17324	ZINC/STAINLESS STEEL	4
DOUBLE ROBE HOOK	04-17302BLK	04-17302	ZINC	4
PIVOTING PAPER HOLDER	04-17308PBLK	04-17308P	ZINC	4

