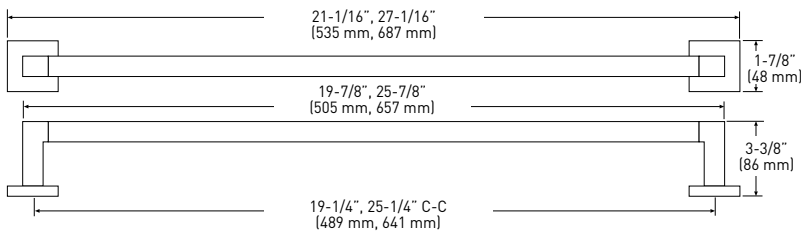


## FEATURES

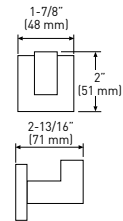
- INCLUDES MOUNTING PLATES: 1-9/16" x 1-3/16" (40 mm x 30 mm); NYLON ANCHORS AND STEEL PHILLIPS HEAD SCREWS: #8 x 1-1/4" (32 mm)
- SOLID ZINC DIE-CAST CONSTRUCTION (POSTS)



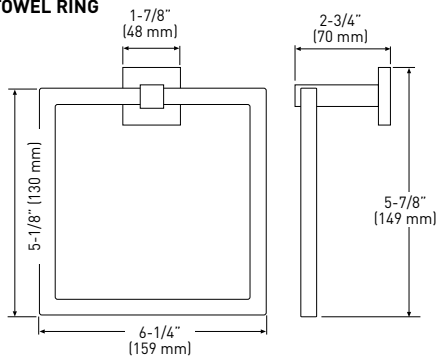
### TOWEL BAR



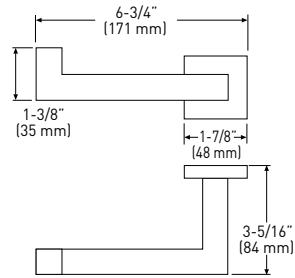
### SINGLE ROBE HOOK



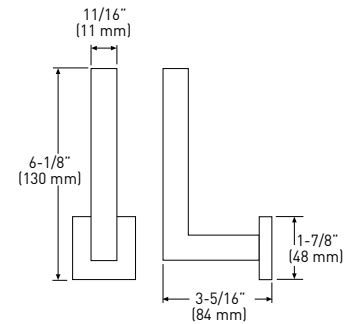
### TOWEL RING



### PAPER HOLDER



### VERTICAL PAPER HOLDER



BUILDER PACK	POLISHED CHROME 26	SATIN NICKEL 15	MATERIAL	CASE QTY.
18" TOWEL BAR	04-2118	04-2118SN	ZINC/BRASS	10
24" TOWEL BAR	04-2124	04-2124SN	ZINC/BRASS	10
SINGLE ROBE HOOK	04-2101	04-2101SN	ZINC	10
TOWEL RING	04-2104	04-2104SN	ZINC	10
PAPER HOLDER	04-2148	04-2148SN	ZINC	10
VERTICAL PAPER HOLDER	04-2158	04-2158SN	ZINC	10

MEASUREMENTS SUBJECT TO A 3% VARIANCE

MEASUREMENTS ARE FOR REFERENCE ONLY. TAYMOR RESERVES THE RIGHT TO CHANGE THE PRODUCT SPECS WITHOUT NOTICE. FOR PRODUCT WARRANTY, PLEASE VISIT TAYMOR WEBSITE FOR DETAILS

