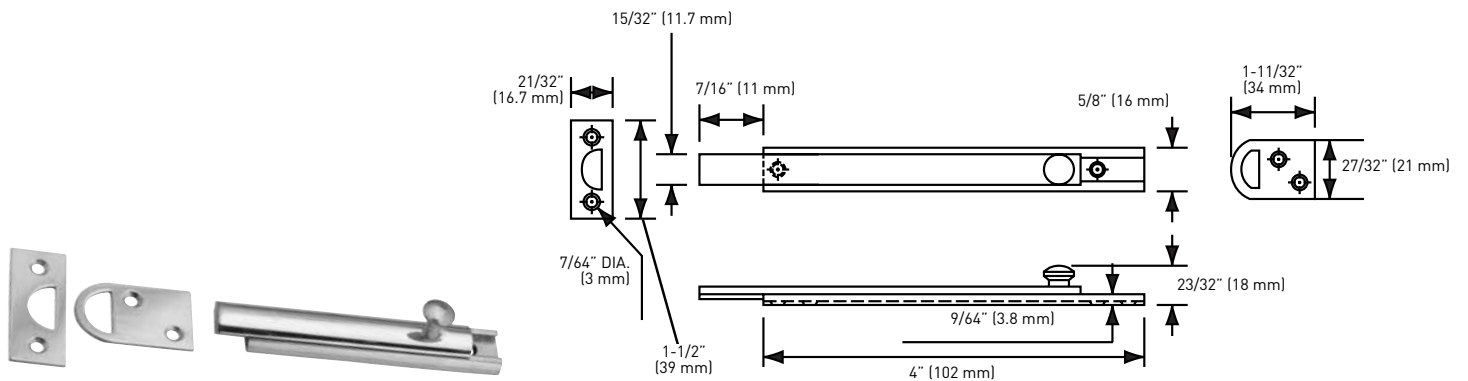


FLUSH BOLT

- › SOLID BRASS AND STEEL CONSTRUCTION
- › KEEPER AND MOUNTING SCREWS INCLUDED

POLY BAGGED WITH UPC	10B OIL RUBBED BRONZE	15 SATIN NICKEL	CASE PACK
6" (152 mm) RADIUS END	25-5316ORB	25-5316SN	20



SOLID BRASS SURFACE BOLT

- › SOLID BRASS CONSTRUCTION
- › KEEPER AND MOUNTING SCREWS INCLUDED

POLY BAGGED WITH UPC	15 SATIN NICKEL	CASE PACK
4" (102 mm)	25-4035100SN	20

