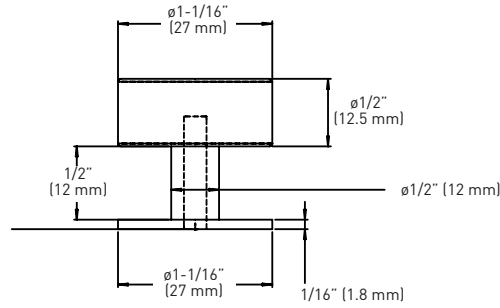


SPECIFICATIONS

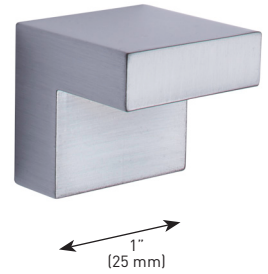
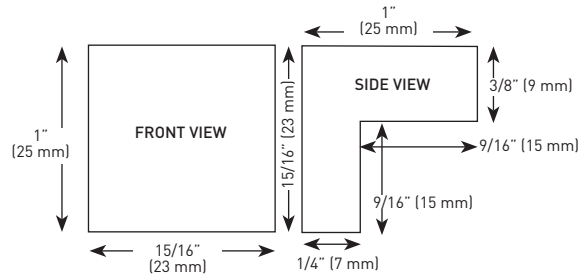
- › ZINC DIE-CAST CONSTRUCTION
- › 1-1/16" (27 mm) DIAMETER, 1" (25 mm) DEEP
- › INCLUDES 1-13/16" (46 mm) BREAK-OFF SCREW



POLY BAGGED WITH UPC	SATIN NICKEL 15	MATTE BLACK 19	POLISHED CHROME 26	SATIN CHROME 26D	CASE QTY
BARCELONA KNOB	20-0810SN	20-0810BLK	20-0810PC	20-0810SC	25

SPECIFICATIONS

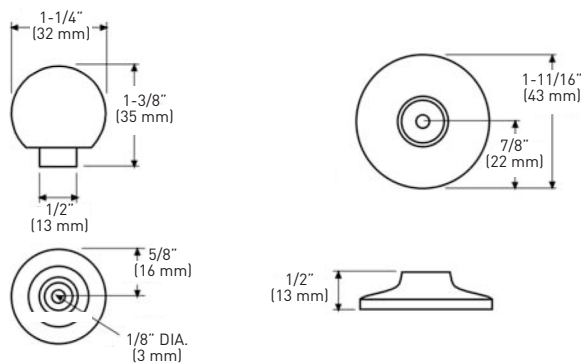
- › ZINC DIE-CAST CONSTRUCTION
- › 1" (25 mm) WIDTH, 1" (25 mm) DEEP
- › INCLUDES TWO 1-13/16" (46 mm) BREAK-OFF SCREWS



POLY BAGGED WITH UPC	SATIN NICKEL 15	MATTE BLACK 19	POLISHED CHROME 26	SATIN CHROME 26D	CASE QTY
METRA KNOB	20-0700SN	20-0700BLK	20-0700PC	20-0700SC	25

SPECIFICATIONS

- › 32 mm (1-1/4") DIAMETER
- › 1-11/16" (43 mm) BACK PLATE
- › INCLUDES 2" (51 mm) BREAK-OFF SCREW
- › ZINC DIECAST CONSTRUCTION



POLY BAGGED WITH UPC	OIL RUBBED BRONZE 10B	SATIN NICKEL 15	DULL CHROME	CASE QTY
PEDESTAL KNOB WITH REMOVABLE BACK PLATE	20-B1050RB	20-B1050SN	20-B1050DC	25

MEASUREMENTS SUBJECT TO A 3% VARIANCE

MEASUREMENTS ARE FOR REFERENCE ONLY. TAYMOR RESERVES THE RIGHT TO CHANGE THE PRODUCT SPECS WITHOUT NOTICE. FOR PRODUCT WARRANTY, PLEASE VISIT TAYMOR WEBSITE FOR DETAILS