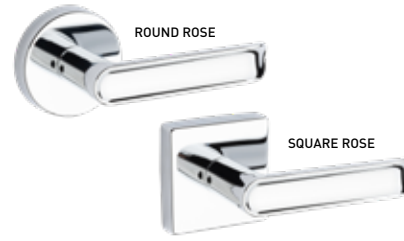


## SPECIFICATIONS

- UNIVERSAL 6-IN-1 LATCH: DRIVE IN, SQUARE MORTISE AND RADIUS CORNER WITH ADJUSTABLE BACKSET: 2-3/8" (60 mm) – 2-3/4" (70 mm)
- STANDARD BORE HOLES: 2-1/8" (54 mm)
- FITS STANDARD DOOR THICKNESS: 1-3/8" (35 mm) – 1-3/4" (45 mm)
- FULL LIP RADIUS CORNER STRIKE WITH ADJUSTABLE TAB STANDARD: 1-3/4" x 2-1/4" (45 mm x 57 mm)
- PUSH BUTTON AUTO-RELEASE ON PRIVACY FUNCTION



GRADE 3

ANSI GRADE 3



LIFETIME MECHANICAL & FINISH WARRANTY



2-1/4" OPTIONAL EXTENSION KIT



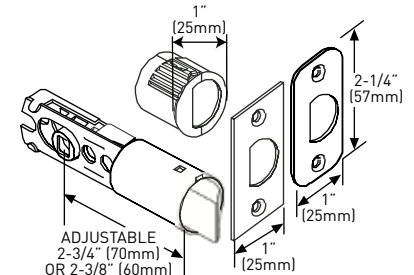
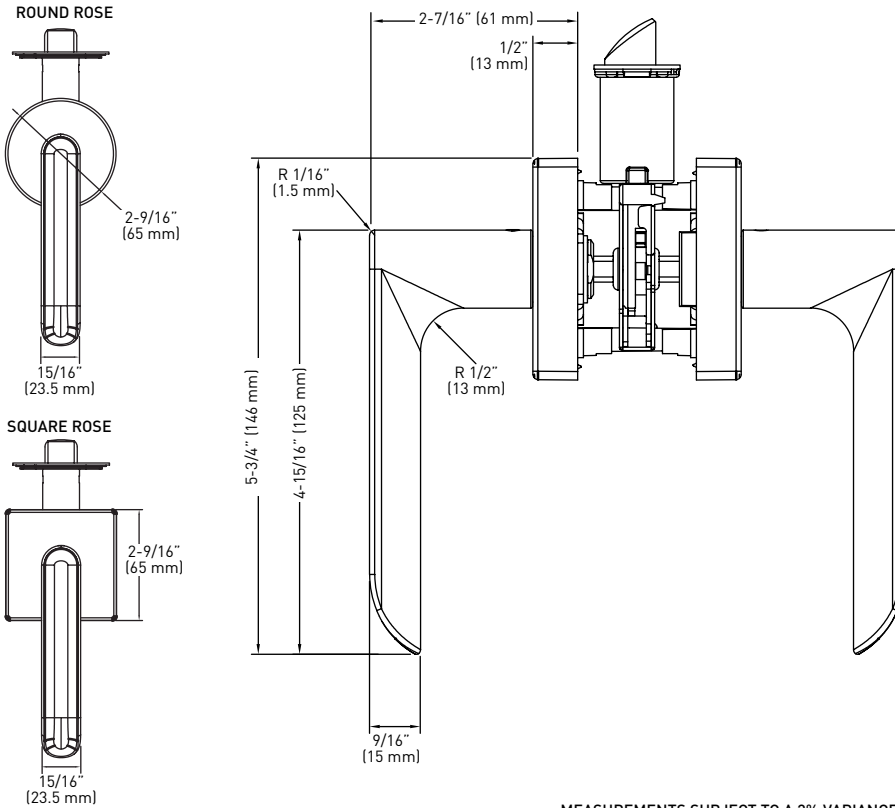
20 MINUTE OPTIONAL FIRE RATING



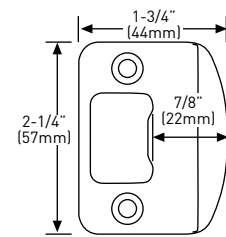
REVERSIBLE



MEETS ADA STANDARDS



6-IN-1 PRIVACY/PASSAGE LATCH



FULL LIP RADIUS STRIKE

MEASUREMENTS SUBJECT TO A 3% VARIANCE

MEASUREMENTS ARE FOR REFERENCE ONLY. TAYMOR RESERVES THE RIGHT TO CHANGE THE PRODUCT SPECS WITHOUT NOTICE. FOR PRODUCT WARRANTY, PLEASE VISIT TAYMOR WEBSITE FOR DETAILS

### FULL BLOOM - ROUND ROSE BUILDER PACK

	PRIVACY	PASSAGE	DUMMY	CASE QTY.
SATIN NICKEL 15	30-D007624SN	30-D007634SN	30-764SN	20
MATTE BLACK 19	30-D007624BLK	30-D007634BLK	30-764BLK	20
POLISHED CHROME 26	30-D007624PC	30-D007634PC	30-764PC	20

### FULL BLOOM - SQUARE ROSE BUILDER PACK

	PRIVACY	PASSAGE	DUMMY	CASE QTY.
SATIN NICKEL 15	30-D007724SN	30-D007734SN	30-774SN	20
MATTE BLACK 19	30-D007724BLK	30-D007734BLK	30-774BLK	20
POLISHED CHROME 26	30-D007724PC	30-D007734PC	30-774PC	20

