






### FEATURES

- Concealed screw mount





### INSTALLATION

- Mounting hardware kit (plates, nylon anchors, and steel Phillips head screws) included
- Mounting plates: 1-3/16" x 1-3/16" (30 mm x 30 mm), Paper Holder: 1-15/32" x 1-13/32" (37 mm x 36 mm)

### STOCKED FINISHES

-  Polished Chrome (PC)
-  Matte Black (BLK)
-  Satin Nickel (SN)

### SPECIAL ORDER FINISHES

-  Brushed Brass (BB)
-  Dark Bronze (DB)
-  Gun Metal (GM)
-  Polished Nickel (PN)



ROBE HOOK



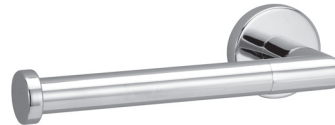
TOWEL BAR



TOWEL RING



PAPER/TOWEL HOLDER



PAPER HOLDER



PIVOTING PAPER HOLDER\*

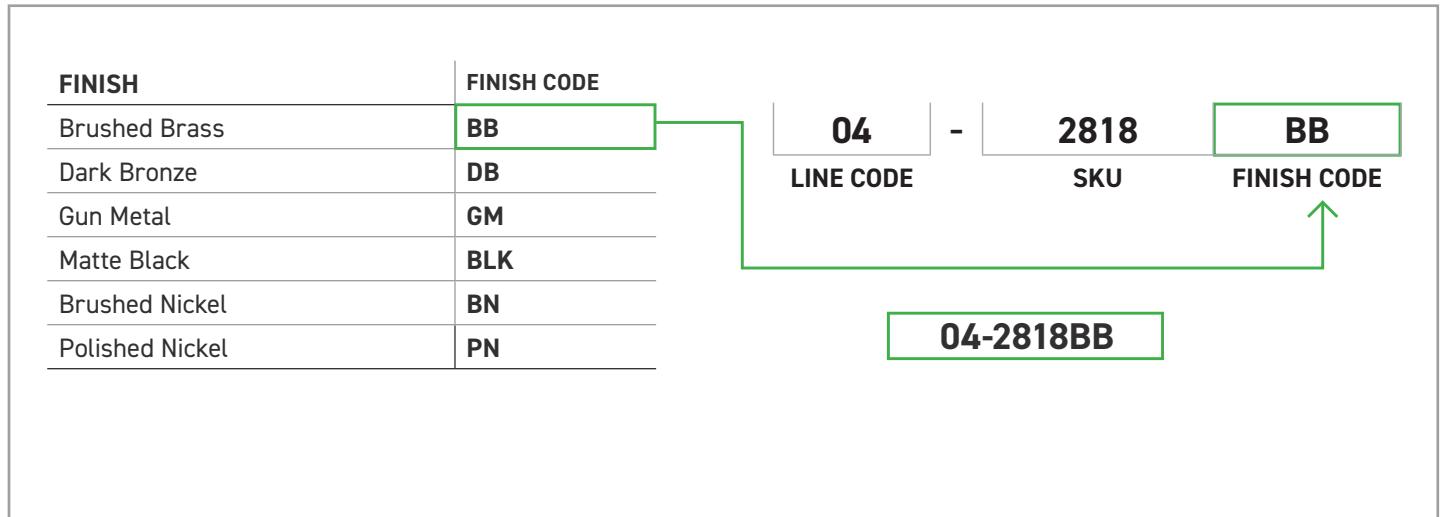
BOX PACK	POLISHED CHROME	MATTE BLACK	SATIN NICKEL	MATERIAL
10" Towel Bar	04-2810	04-2810BLK	04-SN2810	Zinc/Steel
18" Towel Bar	04-2818	04-2818BLK	04-SN2818	Zinc/Steel
24" Towel Bar	04-2824	04-2824BLK	04-SN2824	Zinc/Steel
30" Towel Bar	04-2830	04-2830BLK	04-SN2830	Zinc/Steel
Robe Hook	04-2801	04-2801BLK	04-SN2801	Zinc
Paper Holder	04-2848	04-2848BLK	04-SN2848	Zinc/Steel
Pivoting Paper Holder *	04-2808P	04-2808PBLK	04-2808PSN	Zinc
Paper/Towel Holder	04-2838	04-2838BLK	04-SN2838	Zinc/Steel
Towel Ring	04-2804A	04-2804ABLK	04-SN2804A	Zinc/Steel

\* Not available in Special Order Finishes

## HOW TO SPECIFY SPECIAL ORDER FINISHES

Please contact your Taymor Sales Representative for pricing, samples, and minimum order quantities.

To determine the item code for a special order finish product, simply add the finish code at the end of the product SKU as shown below:



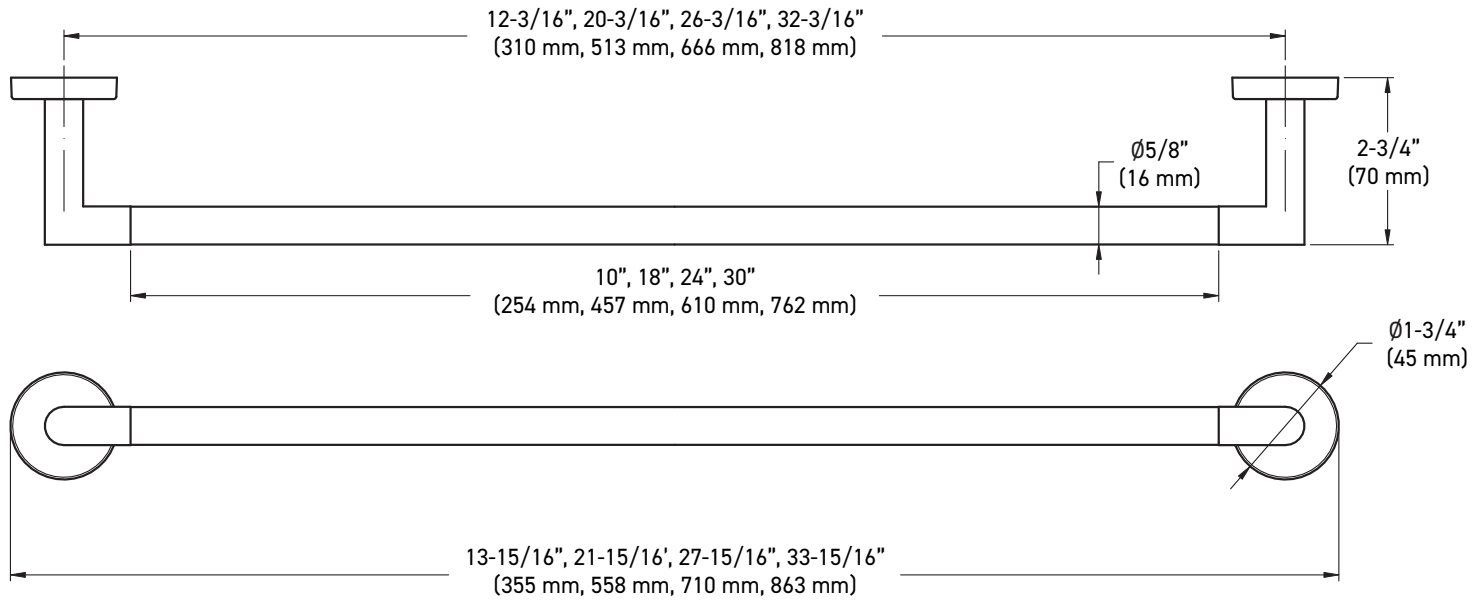
Example of the item codes for the Astral Bath Collection's Towel Bars in Brushed Brass:

FUNCTIONS	LINE CODE	SKU	FINISH CODE	ITEM CODE
10" Towel Bar	04	2810	BB	<b>04-2810BB</b>
18" Towel Bar	04	2818	BB	<b>04-2818BB</b>
24" Towel Bar	04	2824	BB	<b>04-2824BB</b>
30" Towel Bar	04	2830	BB	<b>04-2830BB</b>

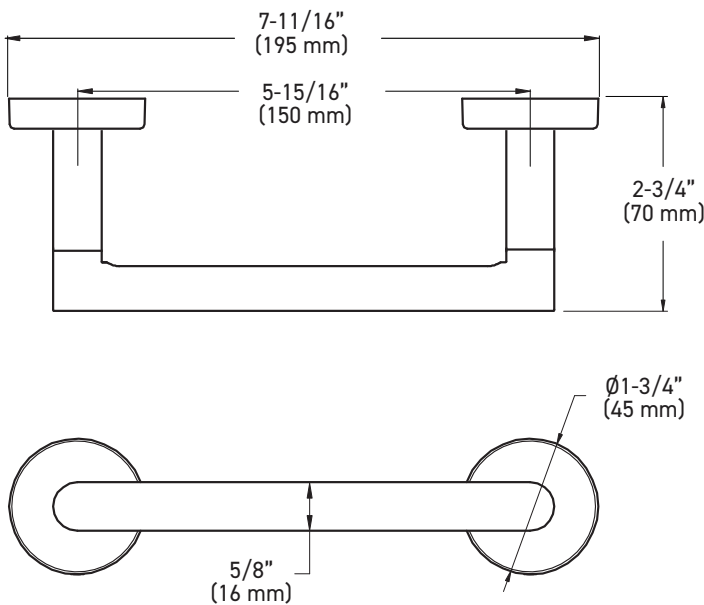
### ADDITIONAL DETAILS

- Special order products are not eligible for return or exchange
- Lead times may vary
- Minimum order quantities apply

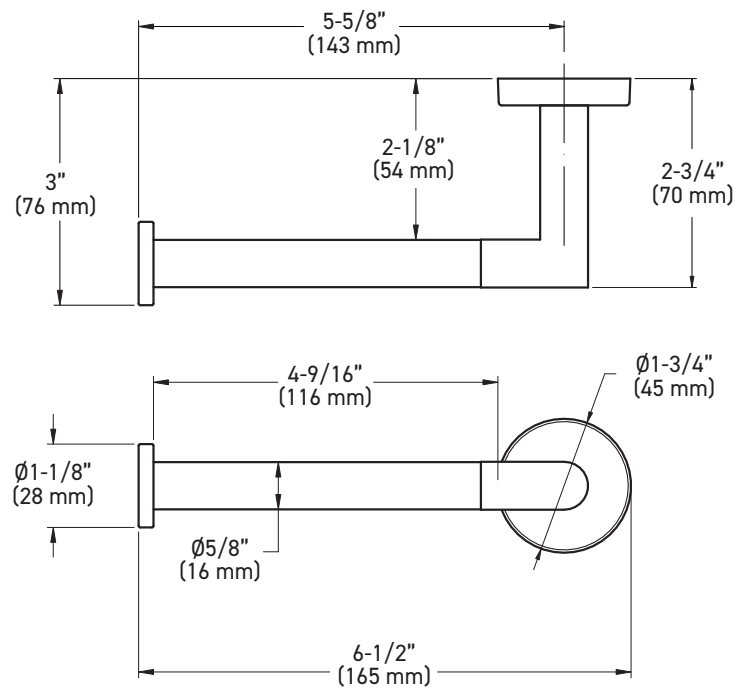
## TOWEL BAR



## PIVOTING PAPER HOLDER

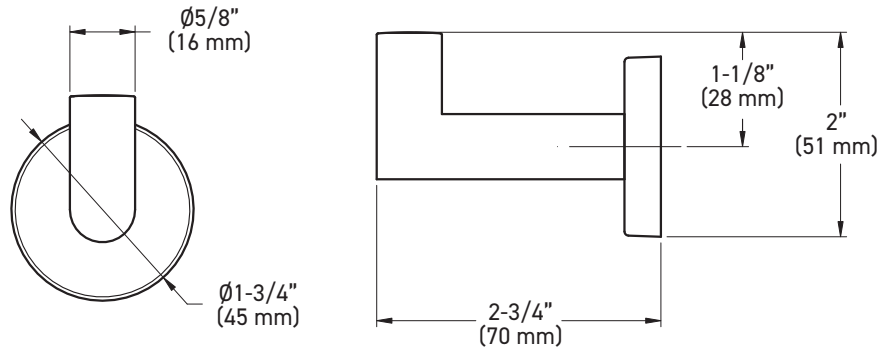


## PAPER HOLDER (LEFT HAND INSTALLATION)

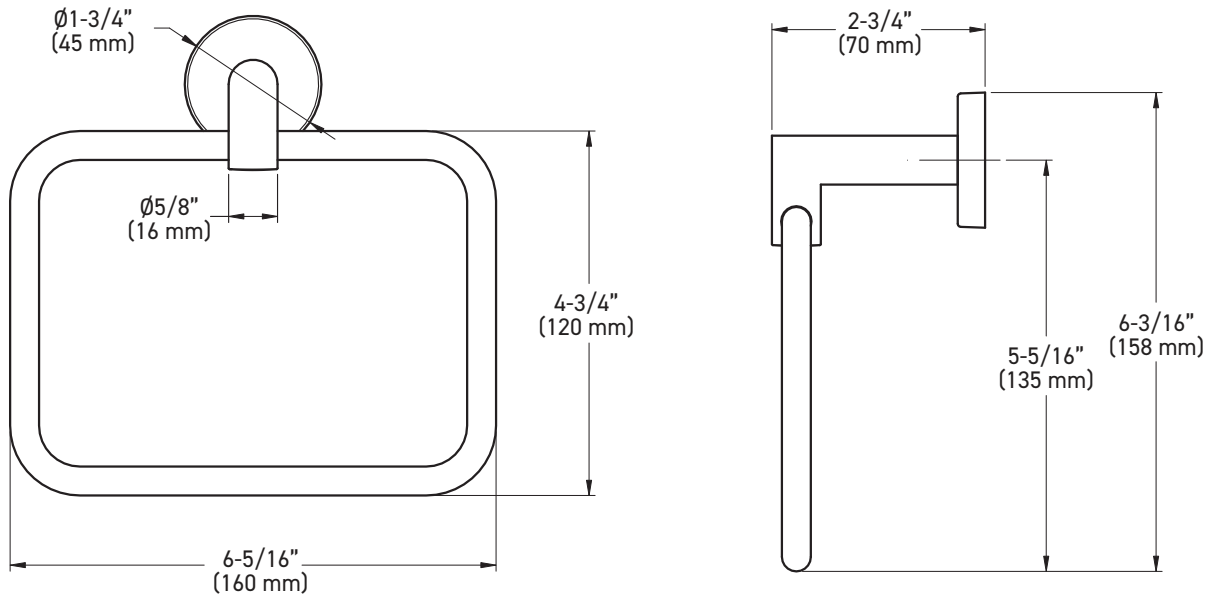


MEASUREMENTS SUBJECT TO A 3% VARIANCE. MEASUREMENTS ARE FOR REFERENCE ONLY. TAYMOR RESERVES THE RIGHT TO CHANGE PRODUCT SPECS WITHOUT NOTICE.

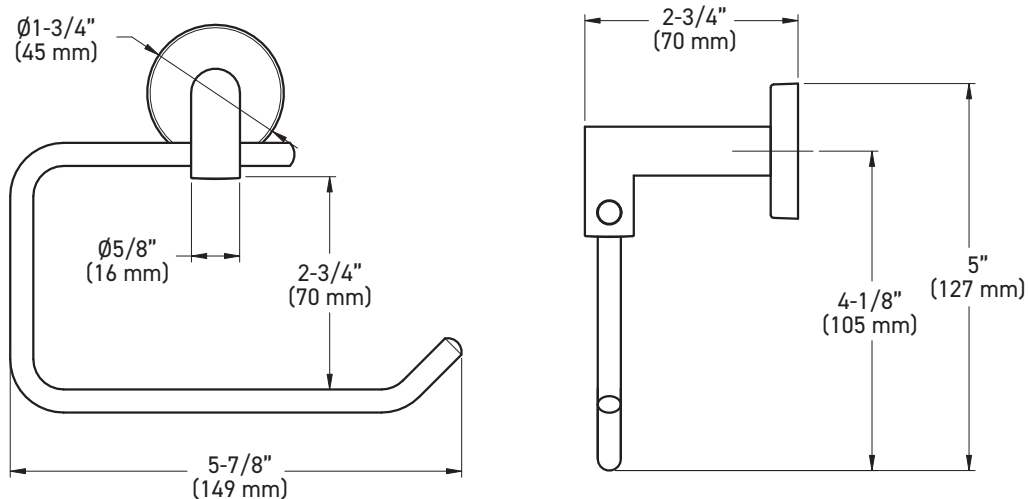
## ROBE HOOK



## TOWEL RING



## PAPER/TOWEL HOLDER



MEASUREMENTS SUBJECT TO A 3% VARIANCE. MEASUREMENTS ARE FOR REFERENCE ONLY. TAYMOR RESERVES THE RIGHT TO CHANGE PRODUCT SPECS WITHOUT NOTICE.