

- › BHMA/ANSI A156.4 GRADE 3
- › c-UL LISTED AND UL10C COMPLIANT FOR POSITIVE PRESSURE
- › HIGH STRENGTH ALUMINUM ALLOY BODY
- › NON-HANDED
- › TWO INDEPENDENT ADJUSTABLE VALVES CONTROL SWEEPING AND LATCHING SPEED
- › UNIVERSAL MOUNTING (REGULAR AND PARALLEL BRACKETS INCLUDED)
- › SUPPLIED WITH BOTH MACHINE AND WOOD SCREWS
- › STABLE HYDRAULIC FLUID FOR ANY CLIMATE OPERATION & CONSTANT LUBRICATION FROM -20°C TO +50°C

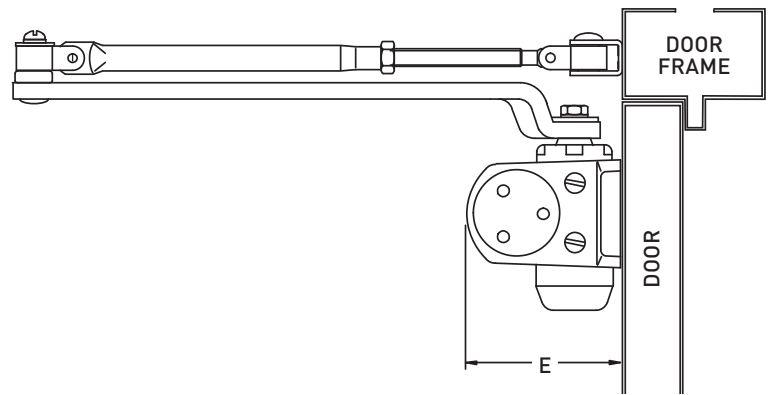
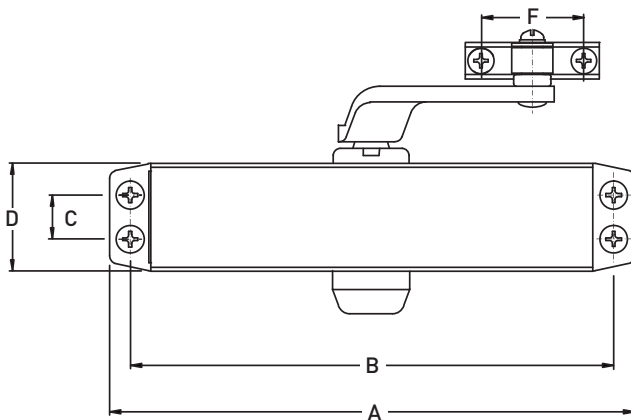


ANSI GRADE 3



LISTED

5 YEAR MECHANICAL AND 1 YEAR FINISH WARRANTY



	A	B	C	D	E	F
14-HC602AL 14-HC602BLK	7-5/16" (186 mm)	6-5/8" (168 mm)	3/4" (19 mm)	1-3/4" (44.5 mm)	2-3/4" (70 mm)	1-9/16" (40 mm)
14-HC603AL 14-HC603BLK	8-3/4" (223 mm)	8-1/8" (206 mm)	3/4" (19 mm)	1-3/4" (44.5 mm)	2-13/16" (72 mm)	1-9/16" (40 mm)
14-HC604AL	9-3/4" (248 mm)	9-1/16" (230 mm)	3/4" (19 mm)	1-3/4" (44.5 mm)	2-13/16" (72 mm)	1-9/16" (40 mm)

SIZE	MAXIMUM RECOMMENDED DOOR SIZE & WEIGHT	MATTE BLACK 19	ALUMINUM	CASE PACK
2	36" x 83" [85 cm x 210 cm] 55-99 lbs [25-45 kg]	14-HC602BLK	14-HC602AL	10
3	37" x 83" [95cm x 210 cm] 99-143 lbs [45-65 kg]	14-HC603BLK	14-HC603AL	10
4	41" x 95" [105cm x 240 cm] 143-187 lbs [65-85 kg]	—	14-HC604AL	10
	DECORATIVE COVER	14-C1600BLK	14-C1600AL	50
	THRU BOLTS	14-HC600BLKTB	14-HC600ALTB	250