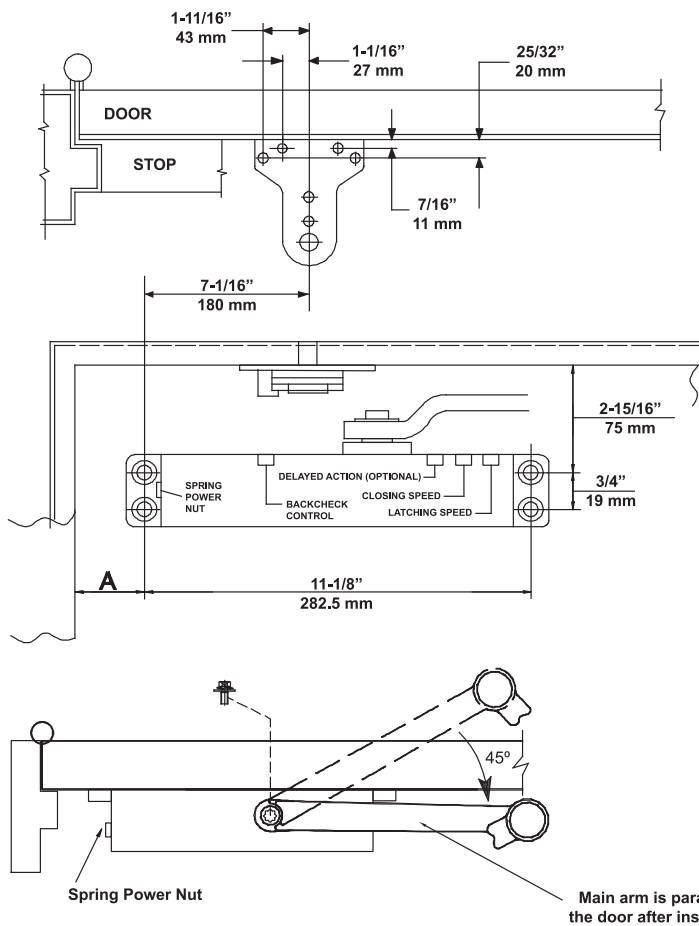
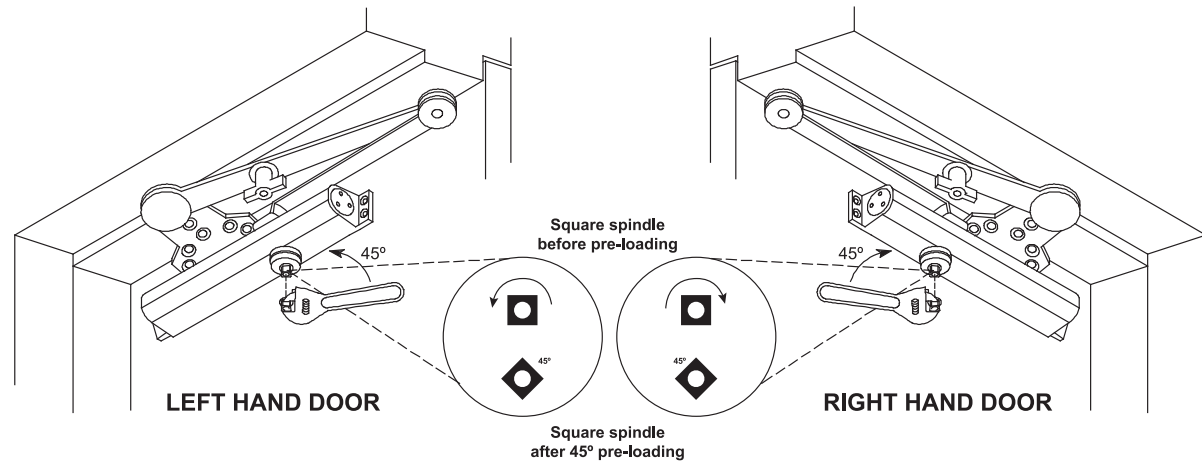
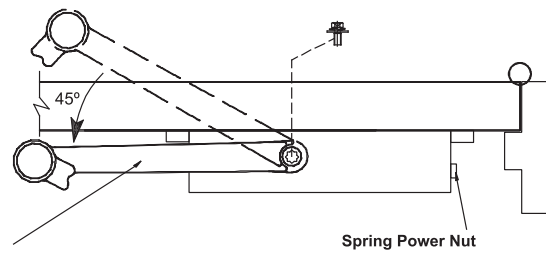


INSTALLATION INSTRUCTIONS: PARALLEL ARM - CLOSER MOUNTED ON PUSH SIDE OF DOOR



MOUNTING INSTRUCTIONS:

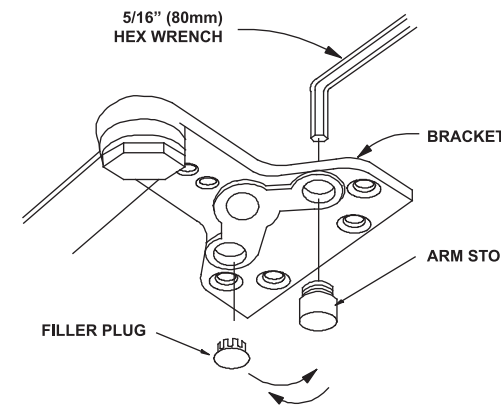
1. Based on required hold open angle / max. opening angle, mark four (4) holes on door for door closer and five (5) holes on frame for parallel bracket.
2. Mount closer and arm bracket on door using screws provided. Spring power adjusting nut must be positioned toward hinge edge.
3. Using a wrench on the square spindle at the bottom of closer, rotate spindle approximately 45° toward hinge edge of door. Hold and open door to place main arm on square spindle (top side of closer body). Tighten arm screw with lockwasher securely.
4. Close the door - the main arm should be parallel to the door.



MODEL NUMBER	HOLD OPEN ANGLE	DIMENSION A
13-A1900CSHOAAL	85°	3-15/16" (100 mm)
	90°	3-1/8" (80 mm)
	100°	2-3/8" (60 mm)
	110°	1-9/16" (40 mm)
	115°	13/16" (20 mm)

MODEL NUMBER	MAX. OPENING ANGLE	DIMENSION A
13-A1900CSAAL	90°	3-15/16" (100 mm)
	95°	3-1/8" (80 mm)
	105°	2-3/8" (60 mm)
	115°	1-9/16" (40 mm)
	120°	13/16" (20 mm)

DOOR CLOSER HANDING



HANDING MUST BE DETERMINED & CHANGED IF NECESSARY BEFORE THE BRACKET IS MOUNTED TO THE DOOR STOP (TOP JAMB). Refer to page 1.

FOR LEFT HAND DOORS:

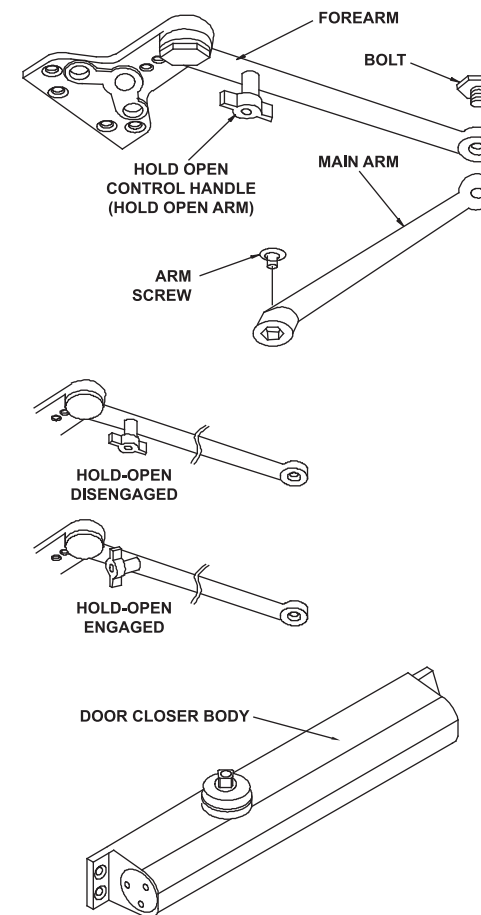
All brackets are shipped assembled for a LEFT HAND DOOR. Insert 5/16" (8 mm) hex wrench into ARM STOP and turn counter clockwise to seat as tightly as possible. Push filler plug in firmly.

FOR RIGHT HAND DOORS:

Pull filler plug out of bracket. Use a 5/16" (8 mm) hex wrench, turn ARM STOP clockwise to remove from bracket insert hole. Turn hex wrench counter clockwise to seat ARM STOP as tightly as possible. Push filler plug into other hole.

DOOR CLOSER ADJUSTMENT INSTRUCTIONS

Note: The illustrations shown below are for a LEFT HAND DOOR.



CAUTION

IMPROPER INSTALLATION OR REGULATION MAY RESULT IN PERSONAL INJURY OR PROPERTY DAMAGE. PLEASE FOLLOW ALL INSTRUCTIONS CAREFULLY.

GUIDELINES:

A "normal" closing time from 90° open position to door closing position is about 4-6 seconds, evenly divided between closing and latching speed. Adjust the closing speed first, then adjust the latching speed.

Closing speed: Turn adjusting valve clockwise for a slower closing speed of door and counter-clockwise for a faster closing speed.

Latching speed: For slower latching speed of door, turn adjusting valve clockwise and counter-clockwise for faster speed.

Caution: Do not back valves out of closer as this may result in leakage or device failure.

Backcheck:

This function is essential for proper operation of arm. Use enough backcheck to prevent arm from slamming into stop with impact. To increase backcheck intensity, turn adjusting valve clockwise.

Cover:

Place cover over closer and hold against door while tightening cover screws firmly.

Hold open Function:

A quarter turn of hold open control handle engages or disengages hold-open function.

DOOR CLOSER ADJUSTMENT VALVES

