

INFINITY

06-4605P

BATHROOM FAUCET

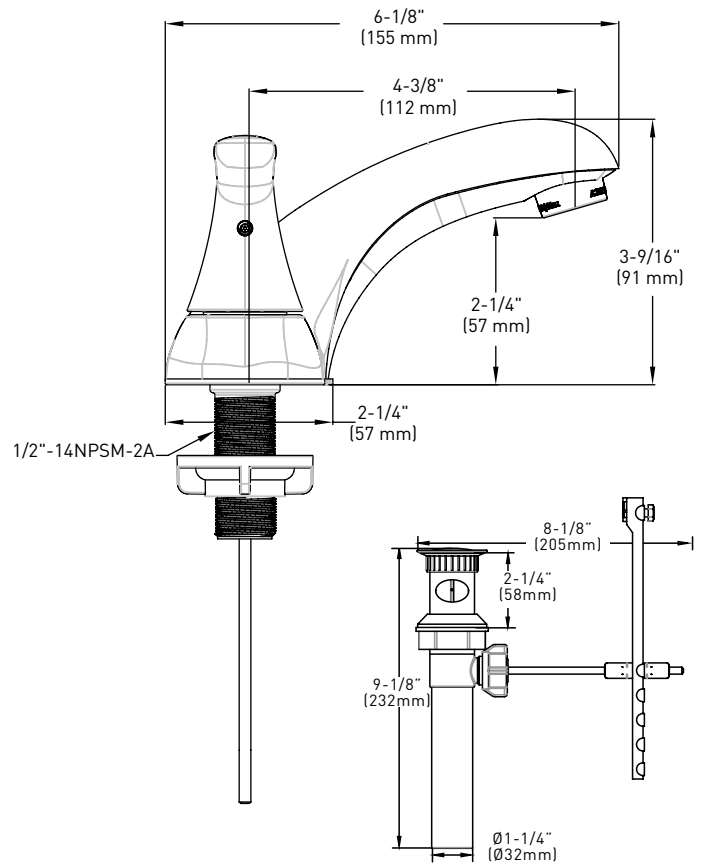
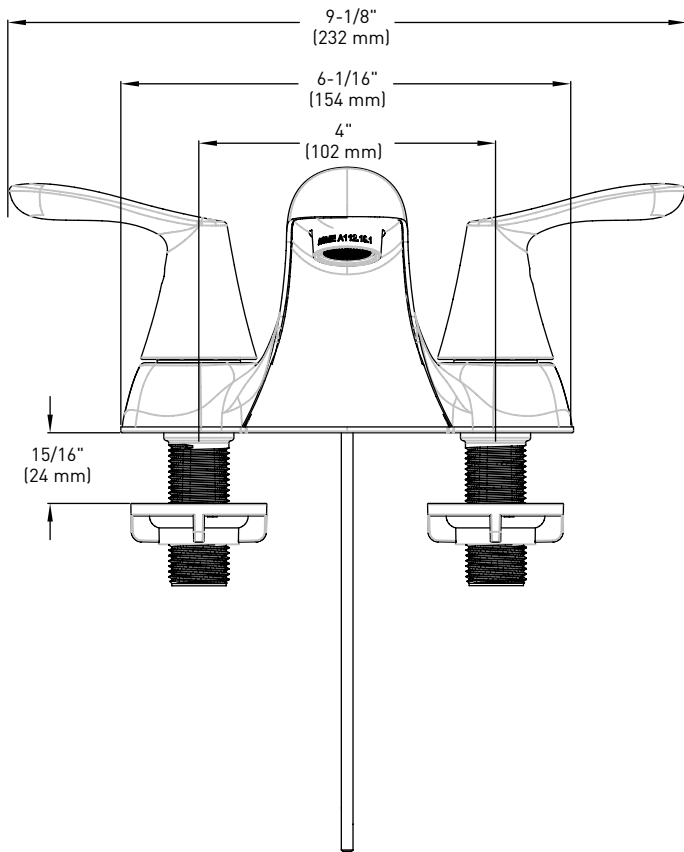


SPECIFICATIONS

- › TWO LEVER HANDLES
- › INCLUDES POP-UP DRAIN ASSEMBLY
- › WASHERLESS CARTRIDGE
- › 4" CENTER-SET INSTALLATION
- › MAXIMUM FLOW RATE: 1.5 GPM/5.7 LPM @ 60 PSI
- › FACTORY PRESSURE TESTED

- › cUPC CERTIFIED
- › WaterSense® CERTIFIED

CRITICAL DIMENSIONS NOT TO SCALE



ABS POP-UP DRAIN

CONSTRUCTION

- › METAL CONSTRUCTION WITH POLISHED CHROME FINISH
- › PLASTIC VALVE BODY

MOUNTING

- › DESIGNED TO INSTALL THROUGH 3 HOLES, 7/8" (23 mm) MIN. DIA. WITH 4" (102 mm) CENTERS, ON DECKS UP TO 1" (25 mm)
- › DESIGNED TO INSTALL MIN. 1-11/16" (43 mm) FROM VALVE CENTERLINE TO BACK SPLASH

INLET

- › 1/2"-14 NPSM THREADED MALE INLET SHANKS

OPERATION

- › QUARTER-TURN LEVER STYLE HANDLES
- › OPERATES WITH LESS THAN 5 LBS. OF FORCE

WATER-CONTROL MECHANISM

- › WASHERLESS CARTRIDGE

FLOW

- › AERATOR LIMITS MAXIMUM FLOW RATE TO 1.5 GPM MAX. (5.7 L/MIN.) @ 60 PSI

CODES/STANDARDS APPLICABLE

- › cUPC
- › ASME A112.18.1/CSA B125.1
- › ANSI/NSF 372

GUARANTEE

- › LIMITED LIFETIME WARRANTY AGAINST DEFECTS IN MATERIAL AND WORKMANSHIP TO ORIGINAL CONSUMER PURCHASER
- › 5 YEAR WARRANTY IF USED IN INDUSTRIAL, COMMERCIAL AND BUSINESS INSTALLATIONS



DESCRIPTION

POLISHED CHROME

CASE QTY.

INFINITY TWO LEVER HANDLE BATHROOM FAUCET WITH POP-UP

06-4605P

4

