





FEATURES

- One-piece design
- Concealed screw mount






INSTALLATION

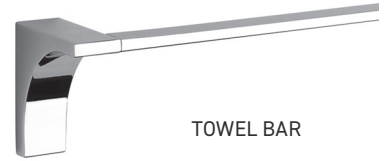
- Mounting hardware kit (plates, nylon anchors, and steel Phillips head screws) included
- Mounting plates: 13/16" x 2" x 1/4" (21 mm x 51 mm x 6 mm),
Double Robe Hook: 1-1/4" x 1" (31 mm x 25 mm)

STOCKED FINISHES

-  Polished Chrome (PC)
-  Matte Black (BLK)

SPECIAL ORDER FINISHES

-  Brushed Brass (BB)
-  Dark Bronze (DB)
-  Gun Metal (GM)
-  Brushed Nickel (BN)
-  Polished Nickel (PN)



TOWEL BAR



ROBE HOOK



PIVOTING PAPER HOLDER



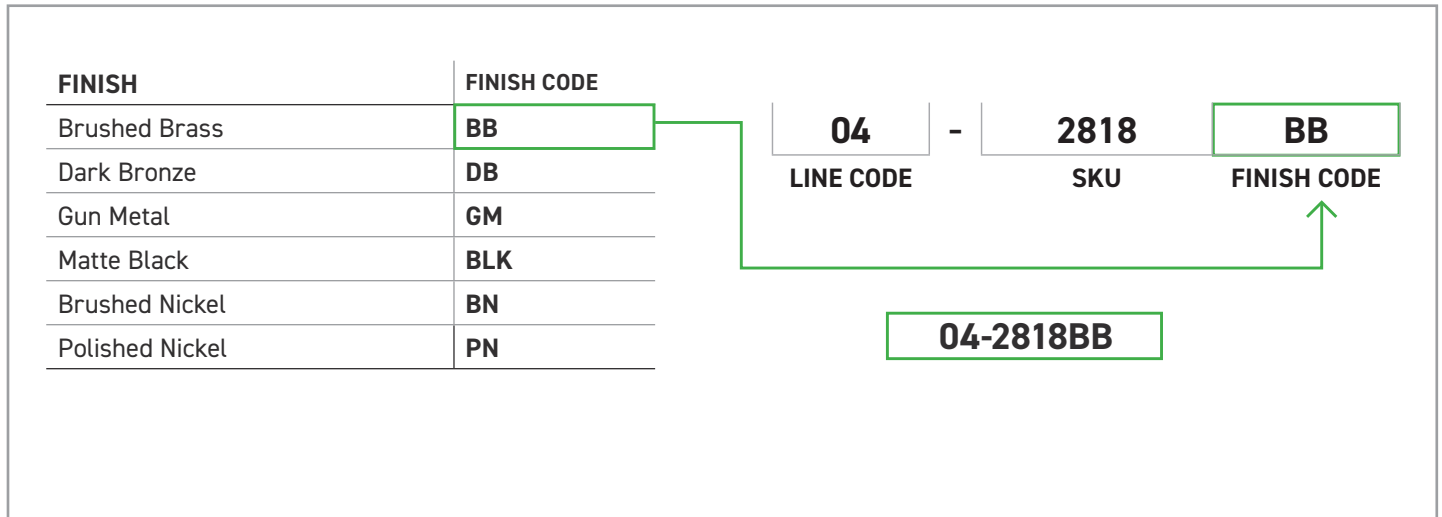
HAND TOWEL BAR

BOX PACK	POLISHED CHROME	MATTE BLACK	MATERIAL
16" Towel Bar	04-17316	04-17316BLK	Zinc/Stainless Steel
24" Towel Bar	04-17324	04-17324BLK	Zinc/Stainless Steel
Hand Towel Bar	04-17309	04-17309BLK	Zinc/Stainless Steel
Double Robe Hook	04-17302	04-17302BLK	Zinc
Pivoting Paper Holder	04-17308P	04-17308PBLK	Zinc

HOW TO SPECIFY SPECIAL ORDER FINISHES

Please contact your Taymor Sales Representative for pricing, samples, and minimum order quantities.

To determine the item code for a special order finish product, simply add the finish code at the end of the product SKU as shown below:



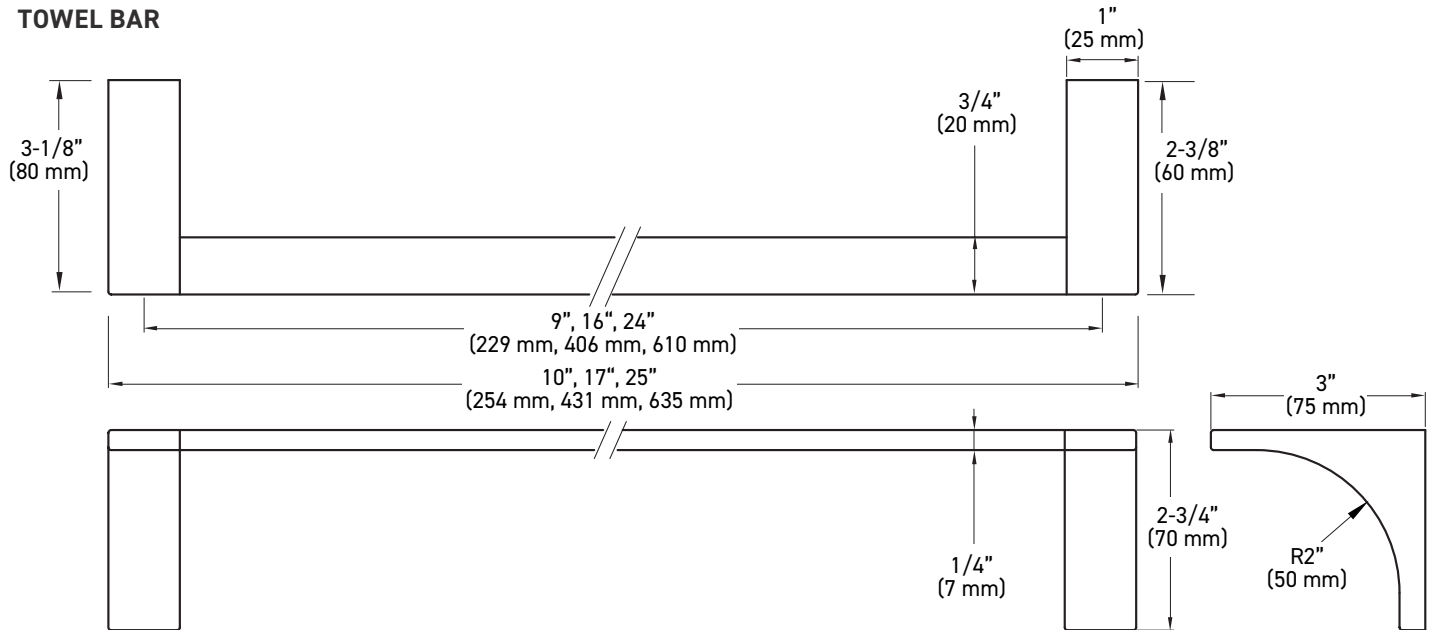
Example of the item codes for the Astral Bath Collection's Towel Bars in Brushed Brass:

FUNCTIONS	LINE CODE	SKU	FINISH CODE	ITEM CODE
10" Towel Bar	04	2810	BB	04-2810BB
18" Towel Bar	04	2818	BB	04-2818BB
24" Towel Bar	04	2824	BB	04-2824BB
30" Towel Bar	04	2830	BB	04-2830BB

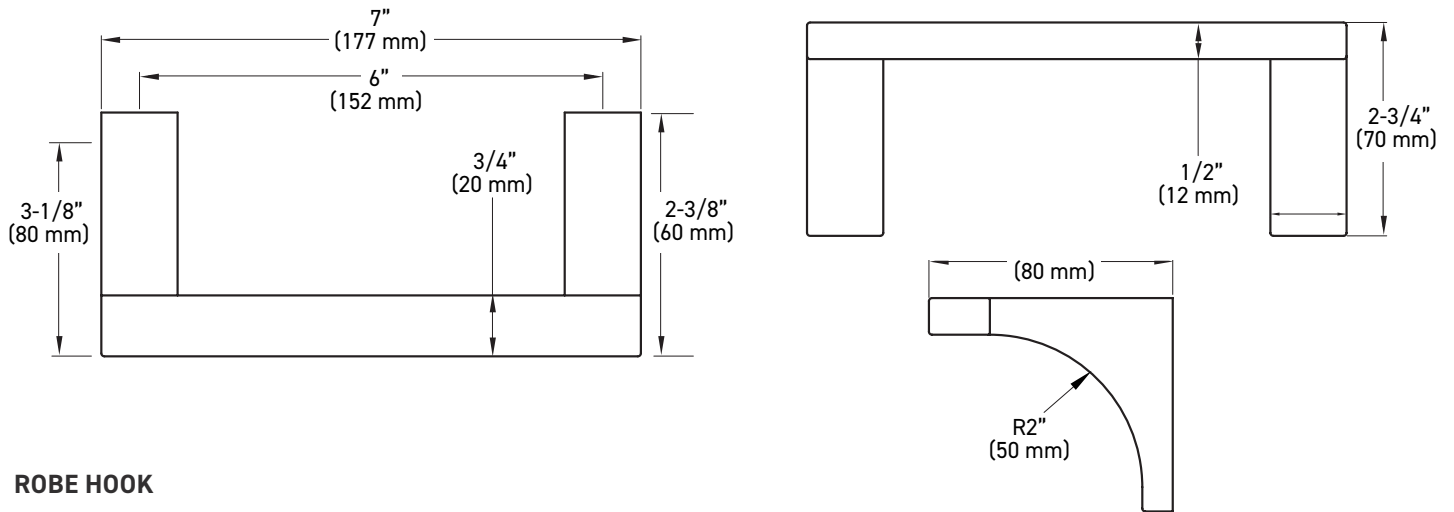
ADDITIONAL DETAILS

- Special order products are not eligible for return or exchange
- Lead times may vary
- Minimum order quantities apply

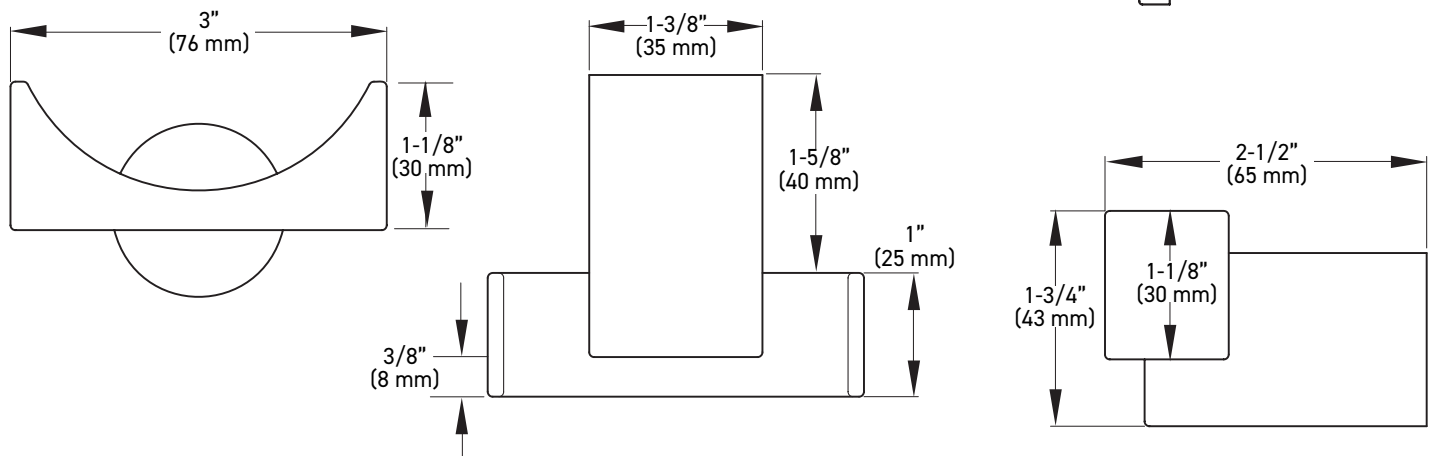
TOWEL BAR



PIVOTING PAPER HOLDER

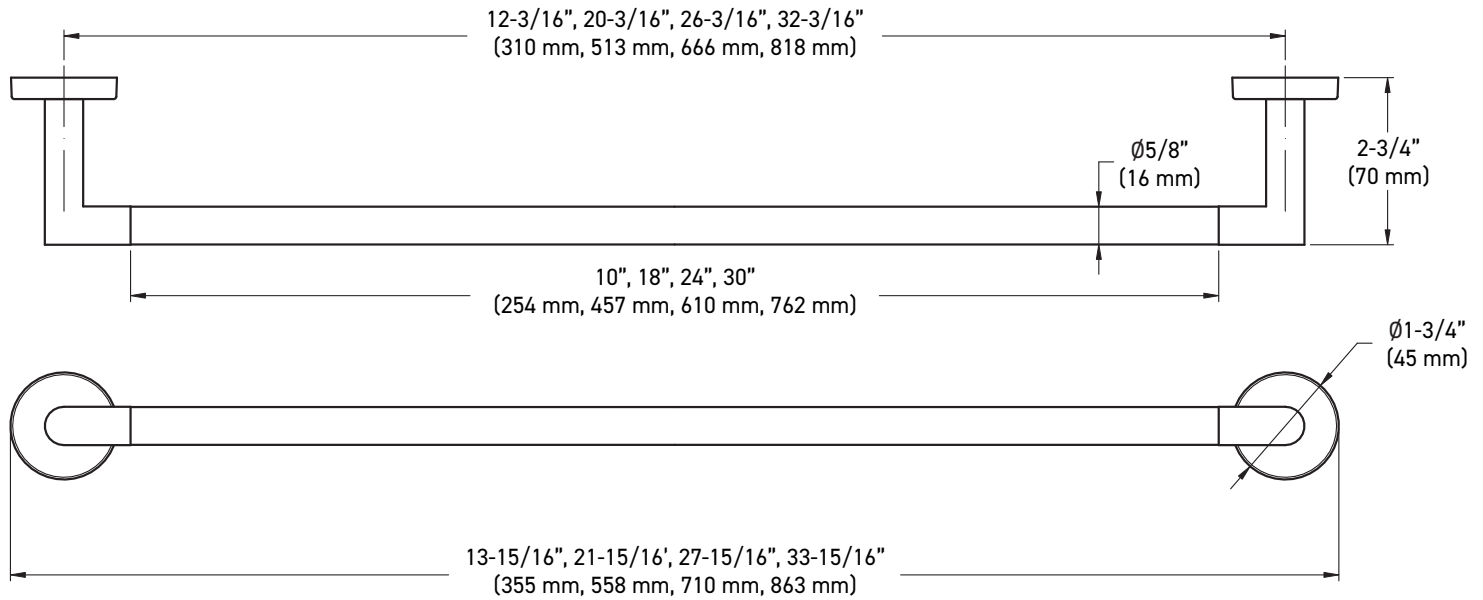


ROBE HOOK

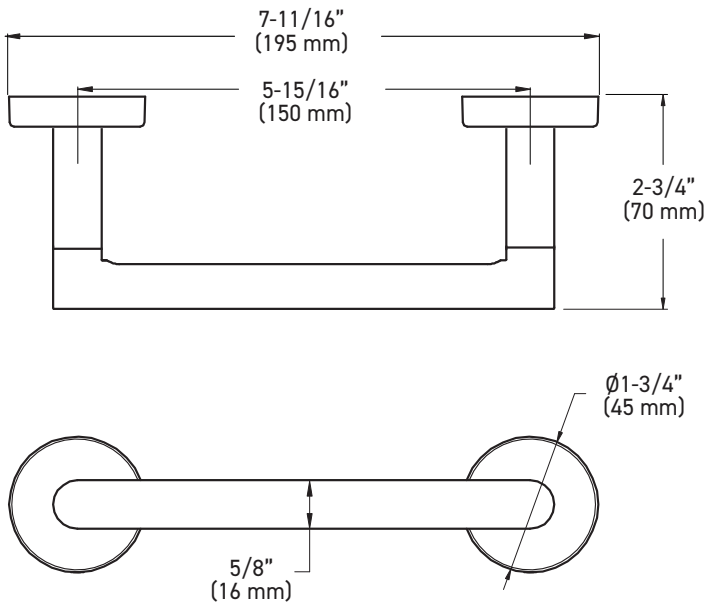


MEASUREMENTS SUBJECT TO A 3% VARIANCE. MEASUREMENTS ARE FOR REFERENCE ONLY. TAYMOR RESERVES THE RIGHT TO CHANGE PRODUCT SPECS WITHOUT NOTICE.

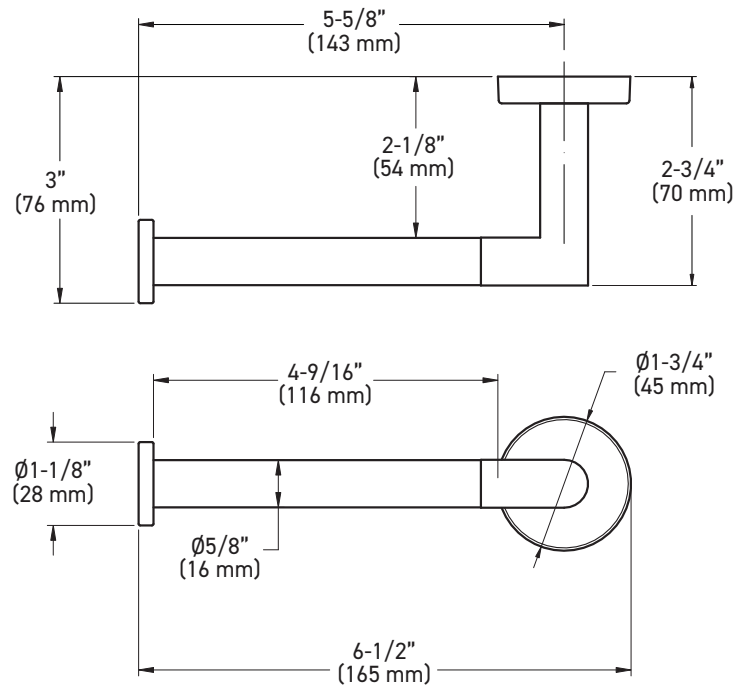
TOWEL BAR



PIVOTING PAPER HOLDER



PAPER HOLDER (LEFT HAND INSTALLATION)



MEASUREMENTS SUBJECT TO A 3% VARIANCE. MEASUREMENTS ARE FOR REFERENCE ONLY. TAYMOR RESERVES THE RIGHT TO CHANGE PRODUCT SPECS WITHOUT NOTICE.