

SPECIFICATIONS

- › SOLID METAL CONSTRUCTION
- › 4-IN-1 ADJUSTABLE LATCH FOR DRIVE-IN AND RADIUS MORTISE INSTALLATIONS WITH ADJUSTABLE BACKSET: 2-3/8" (60 mm) - 2-3/4" (70 mm)
- › FITS STANDARD DOOR THICKNESS: 1-3/8" (35 mm) - 1-3/4" (45 mm)
- › STANDARD BORE HOLES: 1-1/2" (38 mm) and 2-1/8" (54 mm)
- › HIGH SECURITY OR REGULAR SQUARE STRIKE
- › SC4 KEYWAY KEYED TO SC1
- › KEYING SERVICE AVAILABLE



GRADE
3

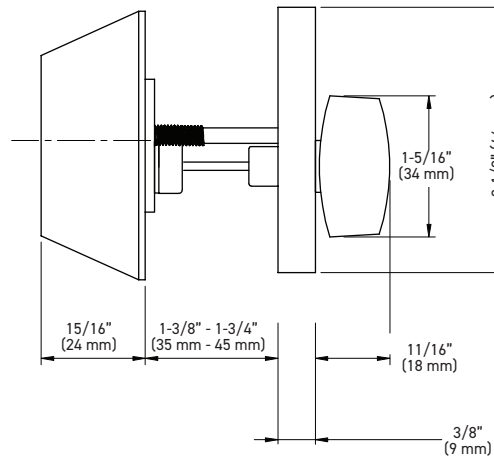
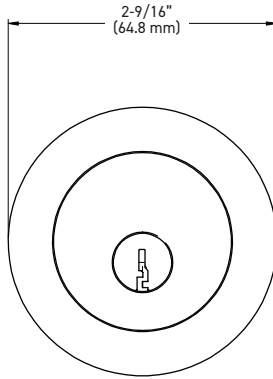
ANSI GRADE 3



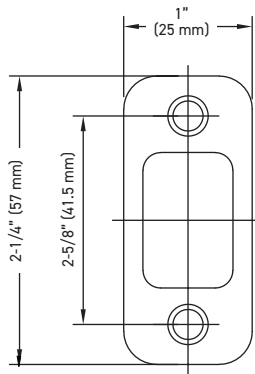
LIFETIME MECHANICAL WARRANTY & 5 YEAR FINISH WARRANTY

5 PIN SC1
KEYWAY
KEYED ALIKE

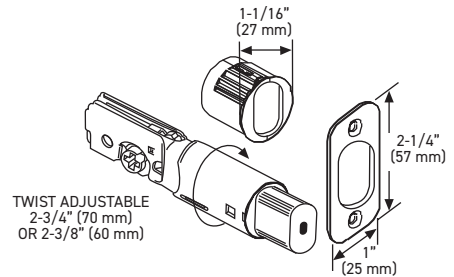
20 MINUTE
OPTIONAL
FIRE RATING



REGULAR RADIUS STRIKE



4-IN-1 DEADBOLT LATCH



MEASUREMENTS SUBJECT TO A 3% VARIANCE

MEASUREMENTS ARE FOR REFERENCE ONLY. TAYMOR RESERVES THE RIGHT TO CHANGE THE PRODUCT SPECS WITHOUT NOTICE. FOR PRODUCT WARRANTY, PLEASE VISIT TAYMOR WEBSITE FOR DETAILS.

SINGLE CYLINDER DEADBOLT (KA3)

BUILDER PACK

- SATIN NICKEL 15
- MATTE BLACK 19
- POLSIHED CHROME 26
- SATIN CHROME 26D

CASE QTY 30

SINGLE CYLINDER DEADBOLT WITH REGULAR RADIUS STRIKE

- 36-RD2201SN
- 36-RD2201BLK
- 36-RD2201PC
- 36-RD2201SC

