

# EXIT HARDWARE

## 8500 SERIES PUSH PAD EXIT DEVICE



RIM TYPE EXIT DEVICE

VERTICAL ROD TYPE EXIT DEVICE

### SPECIFICATIONS

- › TYPE: 8500 SERIES SAFETY RATED, F8500 SERIES FIRE RATED
- › CERTIFICATION: C-UL LISTED, UL 10C 1.5 HOURS FOR FIRE RATED
- › MODELS: RIM & SURFACE VERTICAL ROD
- › FINISHES: ALUMINUM (28)
- › INSTALLATION: 28" TO 36" WOOD OR HOLLOW METAL DOORS, RETROFIT 161 DOOR PREP
- › DOOR SIZES: MIMIMUM = 28" x 84"; MAXIUMUM = 36" x 84" MAXIMUM CUT-DOWN OF BAR WIDTH = 8" (28" TOTAL WIDTH)
- › TRIMS: USES SAME TRIMS AS 9700 SERIES GRADE 1 EXIT DEVICE PLEASE REFER TO THE ACCESSORIES PAGE
- › 5 YEAR MECHANICAL WARRANTY

#### BUILDER PACK

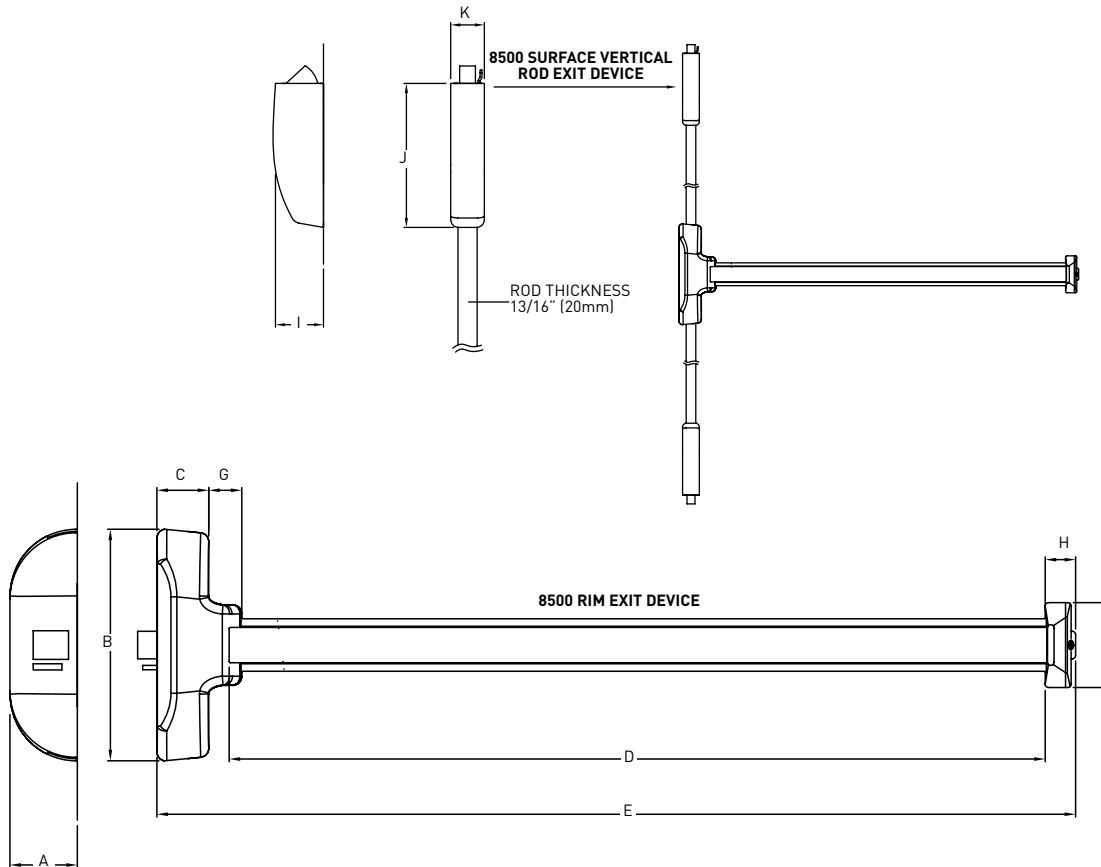
	28 ALUMINUM	CASE PACK
<b>8500 SERIES RIM EXIT DEVICE</b> FOR 28" - 36" DOOR (71cm - 91cm)	17-8536AL	6
<b>8500 SERIES SURFACE VERTICAL ROD EXIT DEVICE</b> FOR 28" - 36" DOOR (71cm - 91cm)	17-8536VAL	4
<b>8500 SERIES FIRE RATED RIM EXIT DEVICE</b> FOR 28" - 36" DOOR (71cm - 91cm)	17-F8536AL	6
<b>8500 SERIES FIRE RATED SURFACE VERTICAL ROD EXIT DEVICE</b> FOR 28" - 36" DOOR (71cm - 91cm)	17-F8536VAL	4

## EXIT HARDWARE

### 8500 SERIES PUSH PAD EXIT DEVICE

#### SPECIFICATIONS

MATERIAL	HEAVY DUTY STEEL PRESSED
DOGGING FEATURE	QUARTER TURN HEX KEY DOGGING (SAFETY RATED ONLY)
PROJECTION	PUSHPAD NEUTRAL - 2-1/2" PUSHPAD DEPRESSED - 1-7/8"
DOOR	1-3/4" THICK METAL OR WOOD DOORS
MOUNTING HEIGHT	40-5/16" FROM CENTRE LINE TO FINISHED FLOOR RECOMMENDED
FASTENER	WOOD AND MACHINE SCREWS FOR 8500 NON-FIRE RATED WOOD, MACHINE SCREWS AND THROUGH BOLTS FOR 8500 FIRE RATED



MODEL	A	B	C	D	E	F	G	H	I	J	K
8500 SERIES RIM EXIT DEVICE	2-7/16" (61.1mm)	8-1/4" (210.1mm)	1-7/8" (47mm)	29-1/8" (740.3mm)	32-13/16" (833.4mm)	3-1/32" (77mm)	1-3/16" (30mm)	1-3/32" (27.5mm)	N/A	N/A	N/A
8500 SERIES SURFACE VERTICAL ROD EXIT DEVICE	2-7/16" (61.1mm)	8-1/4" (210.1mm)	1-7/8" (47mm)	29-1/8" (740.3mm)	32-13/16" (833.4mm)	3-1/32" (77mm)	1-3/16" (30mm)	1-3/32" (27.5mm)	1-31/32" (50mm)	5-7/8" (150mm)	1-3/8" (35mm)