

Taymor® | PRODUCT SPECIFICATIONS

THE
PREMIER
LINE

PREMIER DEADBOLT ROUND DEADBOLT

SPECIFICATIONS

- › ADA THUMBTURN
- › CONCEALED SCREW MOUNT
- › INCLUDES ANTI-PRY COLLAR
- › UNIVERSAL 6-IN-1 LATCH
- › HIGH TENSILE STEEL ANTI-SAW DEADBOLT WITH 1" THROW
- › DEADBOLT FITS 2-1/8" (54 mm) OR 1-1/2" (38 mm) BORE HOLE
- › FITS STANDARD DOOR THICKNESS: 1-3/4" (45 mm) TO 2-1/8" (55 mm)
- › HIGH SECURITY DEADBOLT STRIKE



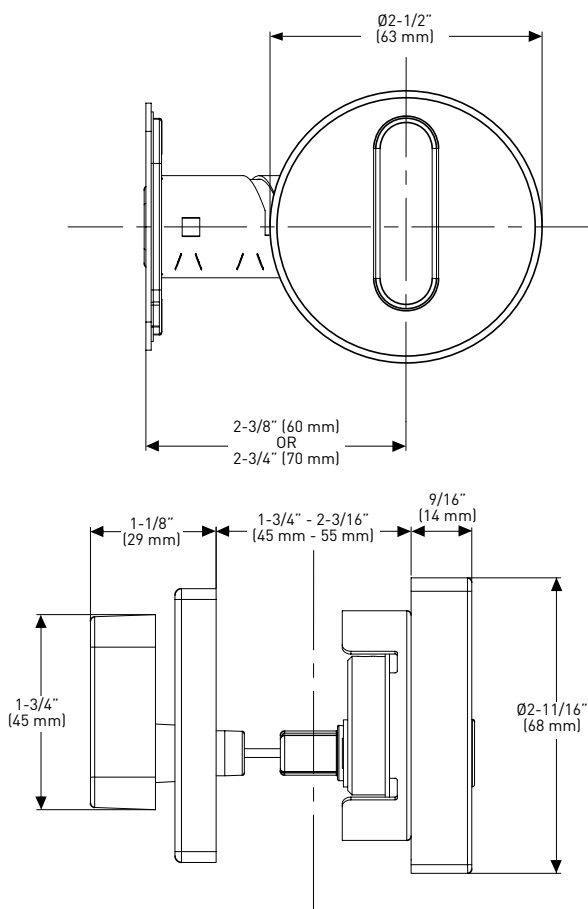
GRADE
2
ANSI GRADE 2



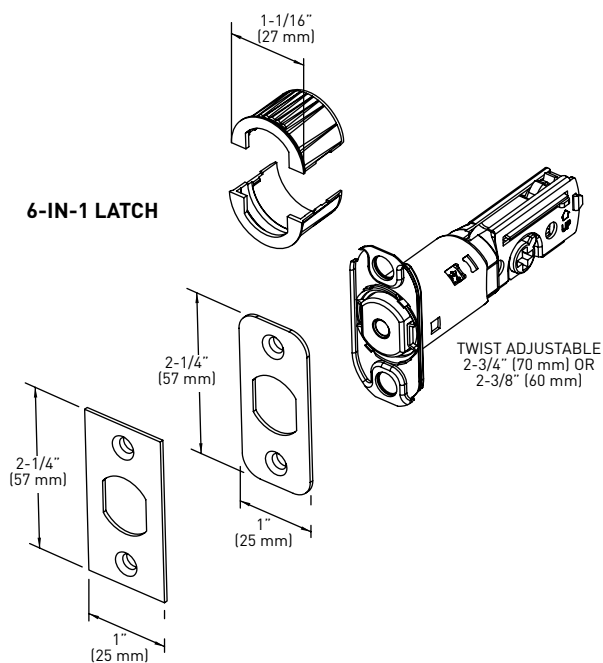
LIMITED LIFETIME MECHANICAL & FINISH WARRANTY



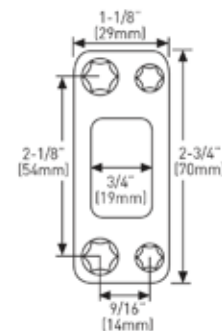
LOCK ASSEMBLY



6-IN-1 LATCH



HIGH SECURITY STRIKE



MEASUREMENTS SUBJECT TO A 3% VARIANCE

MEASUREMENTS ARE FOR REFERENCE ONLY. TAYMOR RESERVES THE RIGHT TO CHANGE THE PRODUCT SPECS WITHOUT NOTICE. FOR PRODUCT WARRANTY, PLEASE VISIT TAYMOR WEBSITE FOR DETAILS

	SATIN NICKEL 15	MATTE BLACK 19	POLISHED CHROME 26	SATIN CHROME 26D	CASE QTY
PREMIER ROUND DEADBOLT	30-D01SC408SN	30-D01SC408BLK	30-D01SC408PC	30-D01SC408SC	9

