

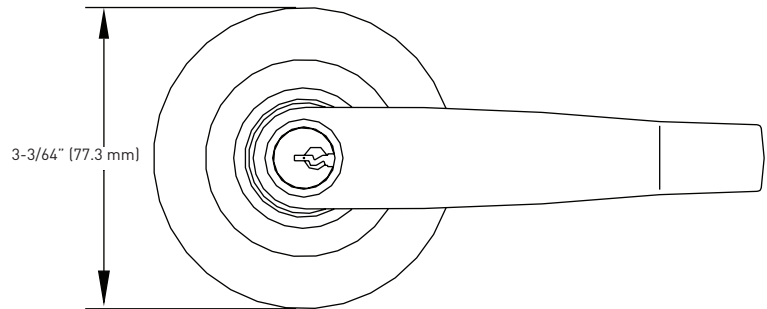
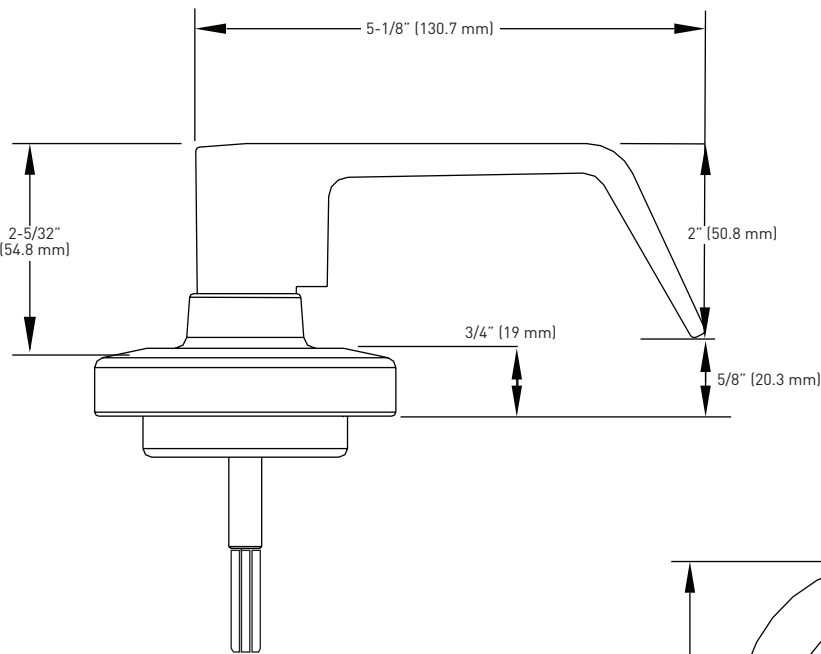
NEW ENHANCEMENTS ULTRA-HEAVY DUTY ACTUATING MECHANISM

COMPATIBILITY ALL 8500 & 9700 SERIES PUSH PAD EXIT DEVICES

FUNCTIONS ENTRY*, STOREROOM, PASSAGE

CYLINDER RIM CYLINDER WITH 6 PIN SCHLAGE 'C' KEYWAY FOR STOREROOM FUNCTION MORTISE CYLINDER (1-1/8" DEPTH) WITH 6 PIN SCHLAGE 'C' KEYWAY FOR ENTRY FUNCTION

*ENTRY FUNCTION ALSO SERVES AS CLASSROOM FUNCTION



10 YEAR MECHANICAL WARRANTY



FULL KEYING SERVICES AVAILABLE

6-pin SC4 keyway, packaged keyed different



MEETS ADA STANDARDS

LEVER TRIMS

	19 MATTE BLACK	26D SATIN CHROME	CASE QTY.
ENTRY FUNCTION* - SCHLAGE "C" KEYWAY	17-LEVBLK	17-LEVAL	6
STOREROOM FUNCTION - TRIM MOUNTING PLATE INCLUDED (17-PPMTMP)	17-SRLEVBLK	17-SRLEVAL	6
PASSAGE FUNCTION	17-PALEVBLK	17-PALEVSC	6

